

# 1.5mm (0.059") Pin Housing

ZH Series

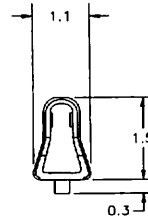
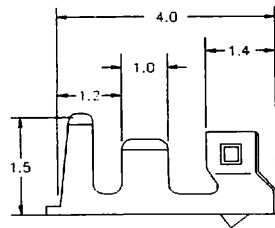
## FEATURES

2-13 Circuits  
 Post: Brass, Copper-Undercoated,  
 Tin/Lead-Plated  
 Wafer: Glass-filled Nylon 66, UL94V-0  
 Natural (light gray)  
 Housing: Nylon 66, UL94V-0, Natural (white)

## SPECIFICATIONS

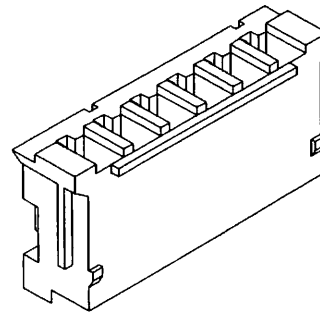
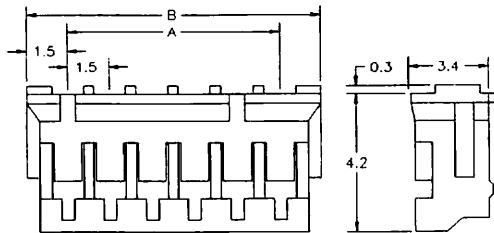
Current Rating: 0.7A AC,DC (AWG#28)  
 Voltage Rating: 50V AC,DC  
 Temperature Range: -25°C~ to 85°C  
 Contact Resistance: 20m ohm max  
 Insulation Resistance: 500M ohm min  
 Withstand Voltage: 500V AC/minute  
 P.C.Board Thickness: 0.6 to 1.2mm

## Contact



Model No.	Applicable Wire			Material	Finish
	mm <sup>2</sup>	AWG #	Insulation O.D.		
ZH-C-2	0.08 to 0.13	28 to 26	0.8 to 1.1	Phosphor Bronze	Tin-Plated

## Housing



Circuits	Model No.	Dimension mm	
		A	B
2	ZH-H- 2	1.5	4.5
3	ZH-H- 3	3.0	6.0
4	ZH-H- 4	4.5	7.5
5	ZH-H- 5	6.0	9.0
6	ZH-H- 6	7.5	10.5
7	ZH-H- 7	9.0	12.0
8	ZH-H- 8	10.5	13.5
9	ZH-H- 9	12.0	15.0

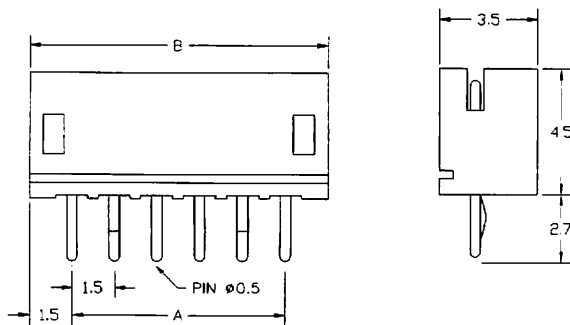
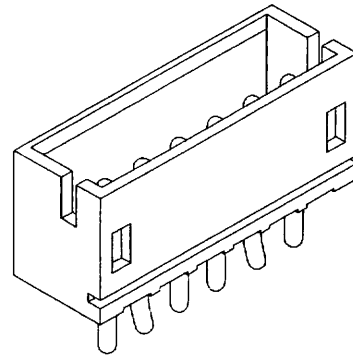
Circuits	Model No.	Dimension mm	
		A	B
10	ZH-H-10	13.5	16.5
11	ZH-H-11	15.0	18.0
12	ZH-H-12	16.5	19.5
13	ZH-H-13	18.0	21.0

SINGATRON ENT. CO., LTD. Tel.: (909) 464-1883 Fax.: (909) 464-1884

# 1.5mm (0.059") Pin Wafer

ZH Series

Top Entry Type

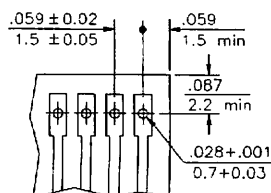


Circuits	Model No.	Dimension mm	
	Top Entry	A	B
2	ZH-T- 2	1.5	4.5
3	ZH-T- 3	3.0	6.0
4	ZH-T- 4	4.5	7.5
5	ZH-T- 5	6.0	9.0
6	ZH-T- 6	7.5	10.5
7	ZH-T- 7	9.0	12.0
8	ZH-T- 8	10.5	13.5
9	ZH-T- 9	12.0	15.0

Circuits	Model No.	Dimension mm	
	Top Entry	A	B
10	ZH-T-10	13.5	16.5
11	ZH-T-11	15.0	18.0
12	ZH-T-12	16.5	19.5
13	ZH-T-13	18.0	21.0

DIP Type P.C.Board Layout

Top Entry Type



SINGATRON ENT. CO., LTD. Tel.: (909) 464-1883 Fax.: (909) 464-1884