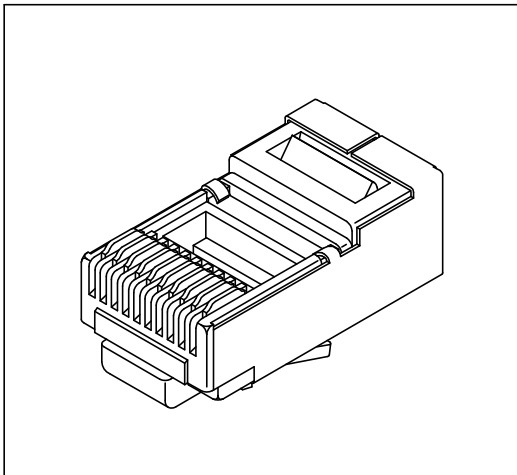


Modular Telephone Plug

(RJ45 MP10P10C Plug Shielded Type)

TP-010S Series

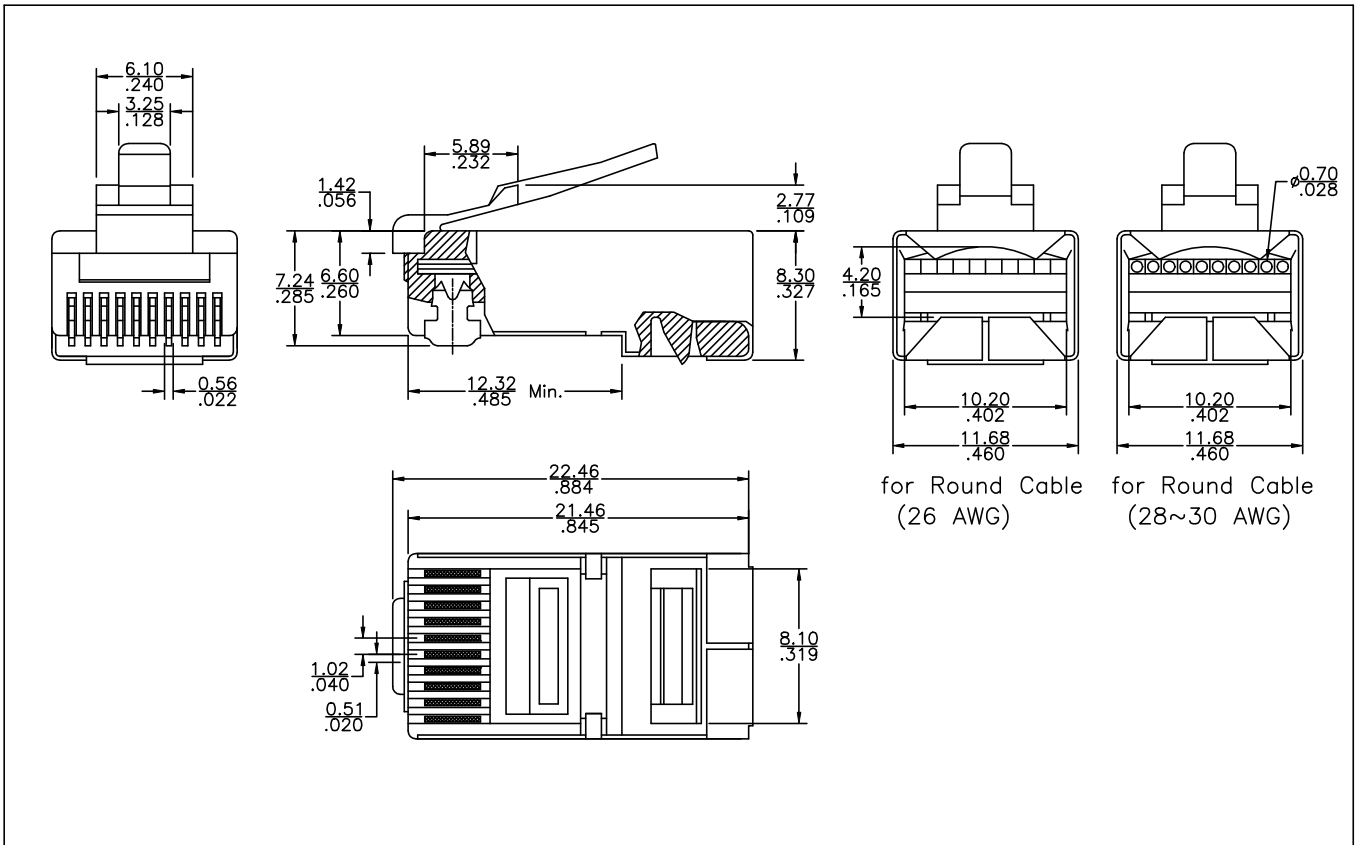


Specification:

- * Voltage Rating: 250V AC
- * Current Rating: 2A
- * Insulation Resistance: 500 M Ω
- * Termination Resistance: 35 M Ω
- * Operating Temperature: -40°C to +125°C

Material and Finish:

- * Housing: Polycarbonate (PC.) UL94V-0.
- * Contact: High Strength Copper Alloy,
Gold Plated over 50 μ " Nickel.
- * Comply with FCC rules and regulations part 68,
subpart F.



Ordering Information

| Series No. | No. of Contact | Contact Plating | Cable Type | Wire Type |
|------------|----------------|-----------------|-----------------|-------------------|
| TP-010S | 10 | 1 | R | 1 |
| | 2 Contacts | 3 μ " | for 26 AWG | for Stranded wire |
| | 4 Contacts | 6 μ " | for Round Cable | for Solid wire |
| | 6 Contacts | 15 μ " | for 28~30 AWG | (2 Prongs) |
| | 8 Contacts | 30 μ " | for Round Cable | for Solid wire |
| | 10 Contacts | 50 μ " | | (3 Prongs) |

SINGATRON U.S.A. Tel: (909)464-1883 Fax: (909)464-1884 Email: sales@singatron.com