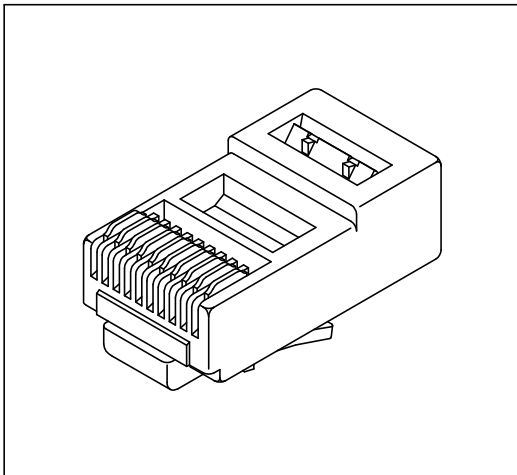


Modular Telephone Plug

(RJ45 MP10P10C Plug)

TP-010 Series

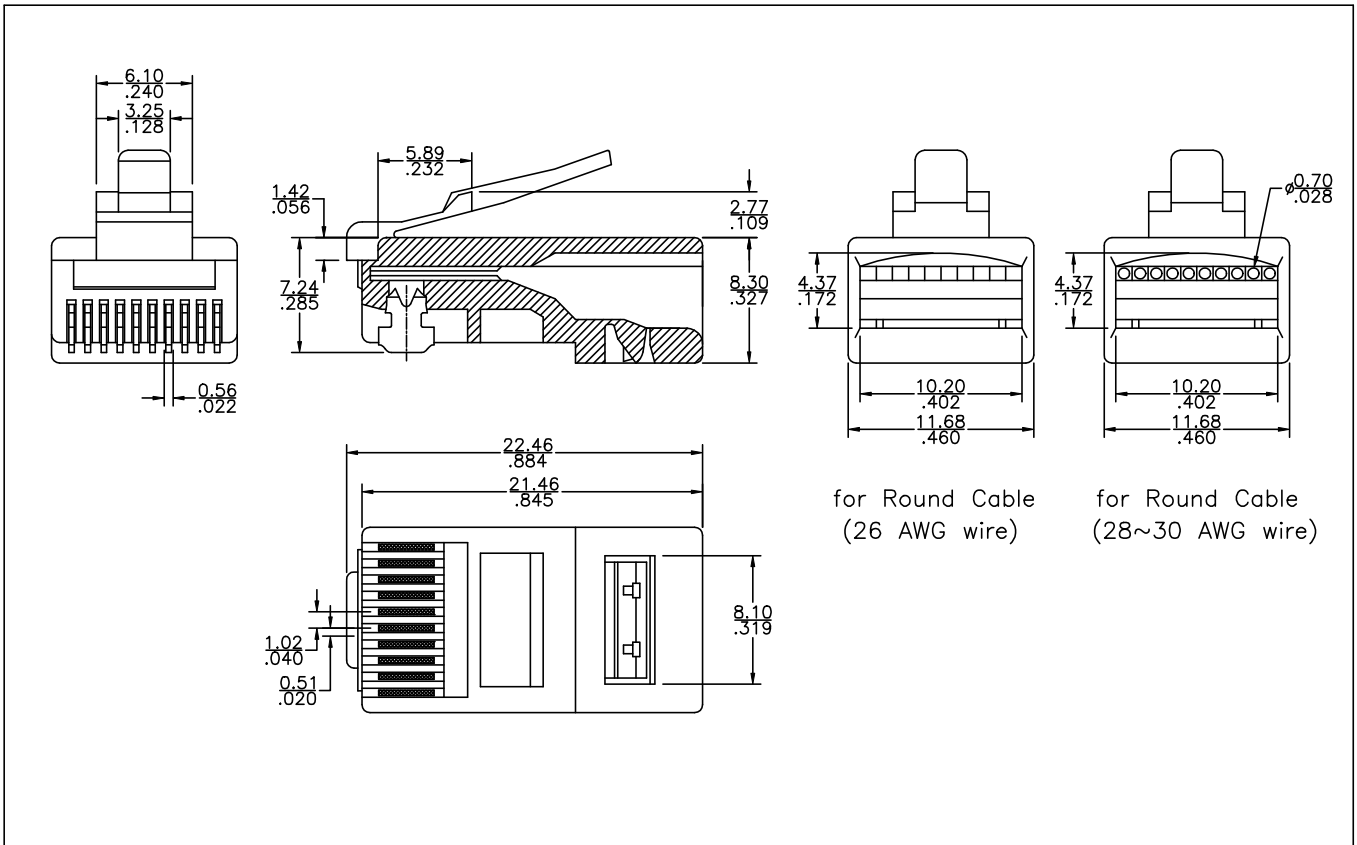


Specification:

- * Voltage Rating: 250V AC
- * Current Rating: 2A
- * Insulation Resistance: 500 M Ω
- * Termination Resistance: 35 M Ω
- * Operating Temperature: -40°C to +125°C

Material and Finish:

- * Housing: Polycarbonate (PC.) UL94V-0.
- * Contact: High Strength Copper Alloy,
Gold Plated over 50 μ Nickel.
- * Comply with FCC rules and regulations part 68,
subpart F.



Ordering Information

Series No.	No. of Contact	Contact Plating	Cable Type	Wire Type
TP-010	10	1	R	1
	2 Contacts	3 μ	for 26 AWG	for Stranded wire
	4 Contacts	6 μ	for Round Cable	for Solid wire
	6 Contacts	15 μ	for 28~30 AWG	(2 Prongs)
	8 Contacts	30 μ	for Round Cable	for Solid wire
	10 Contacts	50 μ		(3 Prongs)

SINGATRON U.S.A. Tel: (909)464-1883 Fax: (909)464-1884 Email: sales@singatron.com