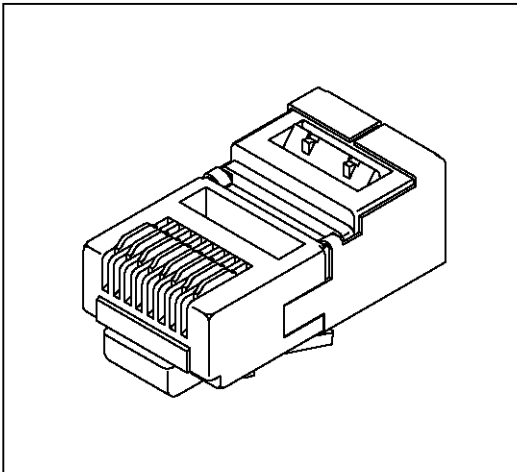


# Modular Telephone Plug

(RJ45 MP8P8C Half Shielded Type)

TP-008SH Series

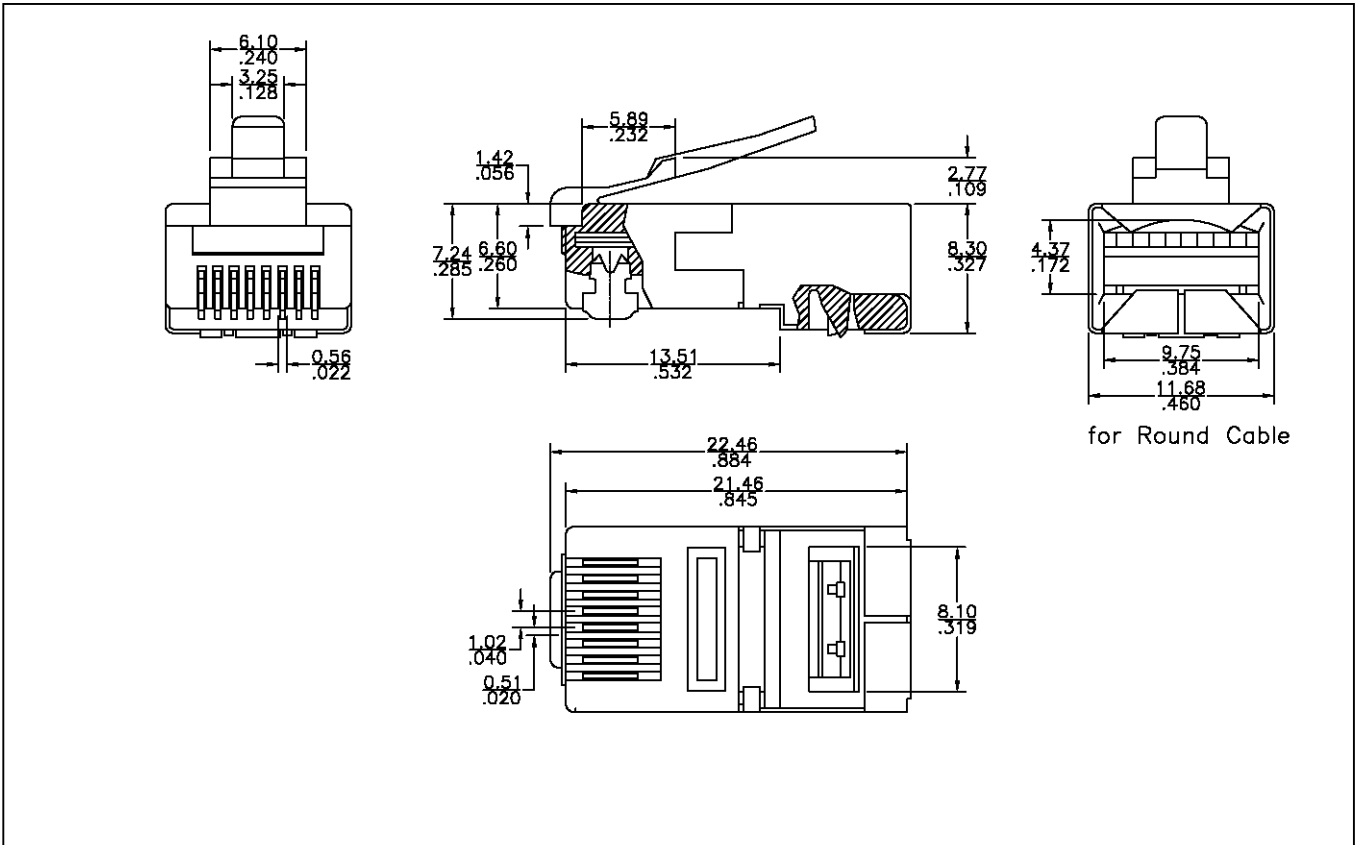


### Specification:

- \* Voltage Rating: 250V AC
- \* Current Rating: 2A
- \* Insulation Resistance: 500 M $\Omega$
- \* Termination Resistance: 35 M $\Omega$
- \* Operating Temperature: -40°C to +125°C

### Material and Finish:

- \* Housing: Polycarbonate (PC.) UL94V-2
- \* Contact: High Strength Copper Alloy, Plated 50u" with Nickel.
- \* Shielded: 0.25mm Thickness Alloy Copper, Nickel Plated.
- \* Comply with FCC rules and regulations part 68, subpart F.



## Ordering Information

Series No.	No. of Contact	Contact Plating	Cable Type	Wire Type
TP-008SH	8	1	R	1
	2 Contacts	3 $\mu$ "	for Round Cable	for Stranded wire
	4 Contacts	6 $\mu$ "		for Solid wire (2 Prongs)
	6 Contacts	15 $\mu$ "		for Solid wire (3 Prongs)
	8 Contacts	30 $\mu$ "		
		50 $\mu$ "		

SINGATRON U.S.A. Tel: (909)464-1883 Fax: (909)464-1884 Email: sales@singatron.com