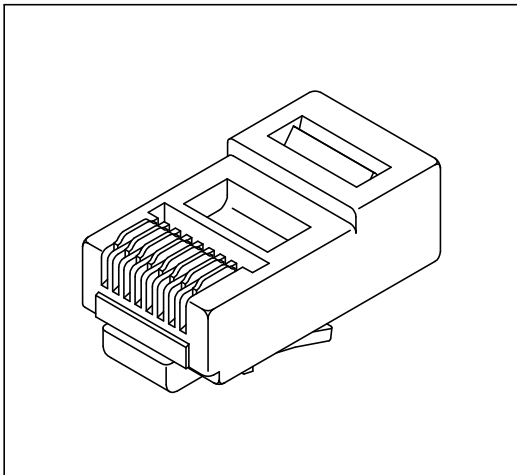


Modular Telephone Plug

(RJ45 MP8P8C Plug)

TP-008 Series

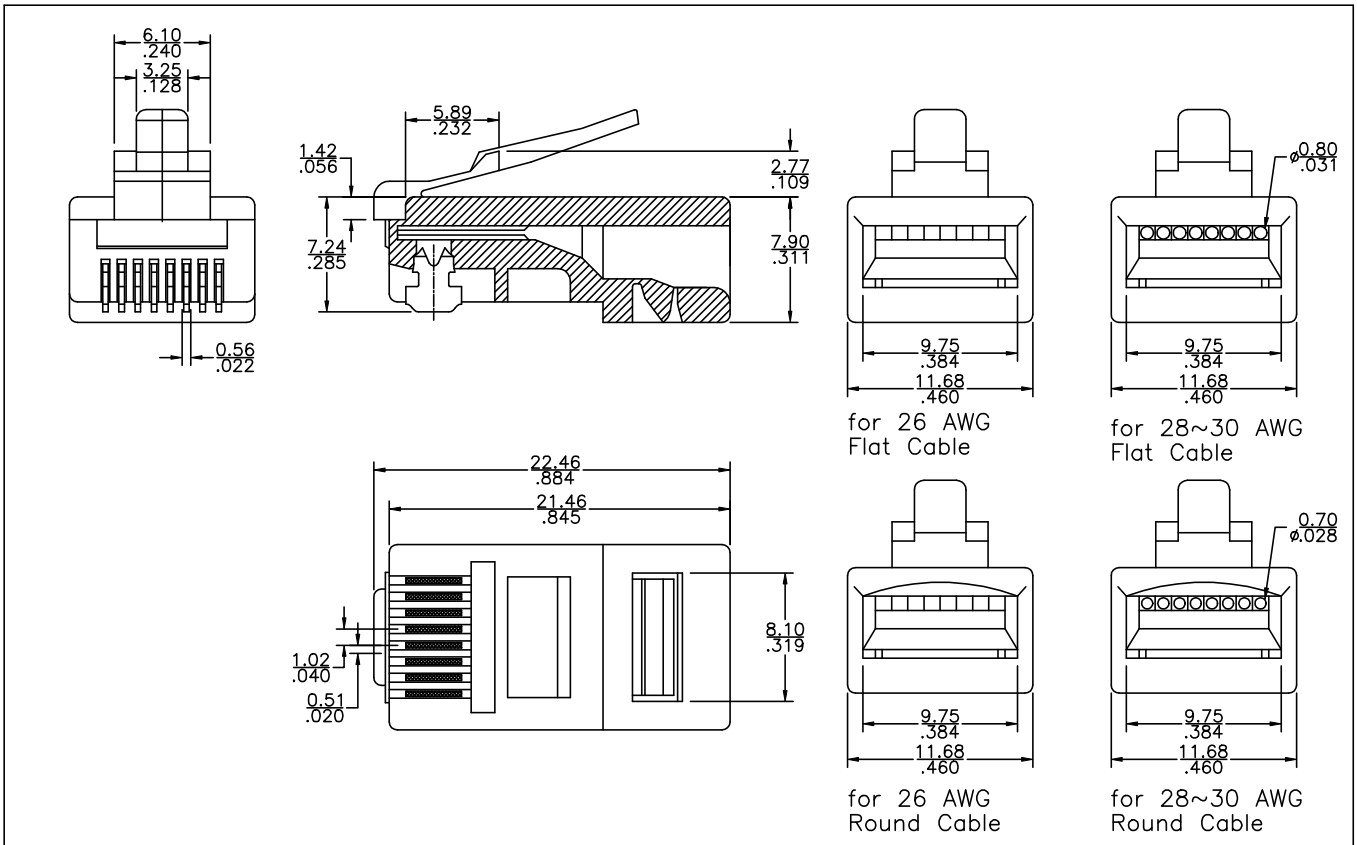


Specification:

- * Voltage Rating: 250V AC
- * Current Rating: 2A
- * Insulation Resistance: 500 MΩ
- * Termination Resistance: 35 MΩ
- * Operating Temperature: -40°C to +125°C

Material and Finish:

- * Housing: Polycarbonate (PC.) UL94V-0.
- * Contact: High Strength Copper Alloy,
Gold Plated over 50u" Nickel.
- * Comply with FCC rules and regulations part 68,
subpart F.



Ordering Information

Series No.	No. of Contact	Contact Plating	Cable Type	Wire Type
TP-008	8	1	F	1
	2 Contacts	3 μ" 0	for 26 AWG	for Stranded wire
	4 Contacts	6 μ" 1	for Flat Cable F	for Solid wire
	6 Contacts	15 μ" 2	for Round Cable R	(2 Prongs) 2
	8 Contacts	30 μ" 3	for 28~30 AWG	for Solid wire
		50 μ" 4	for Flat Cable FB	(3 Prongs) 3
			for Round Cable RB	

SINGATRON U.S.A. Tel: (909)464-1883 Fax: (909)464-1884 Email: sales@singatron.com