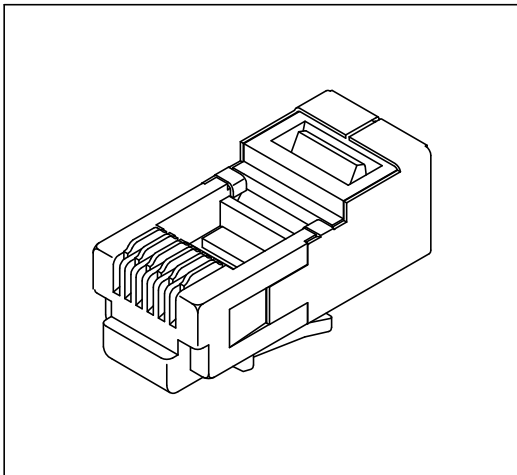


Modular Telephone Plug

(Long Type, Shielded)

TP-006JS Series

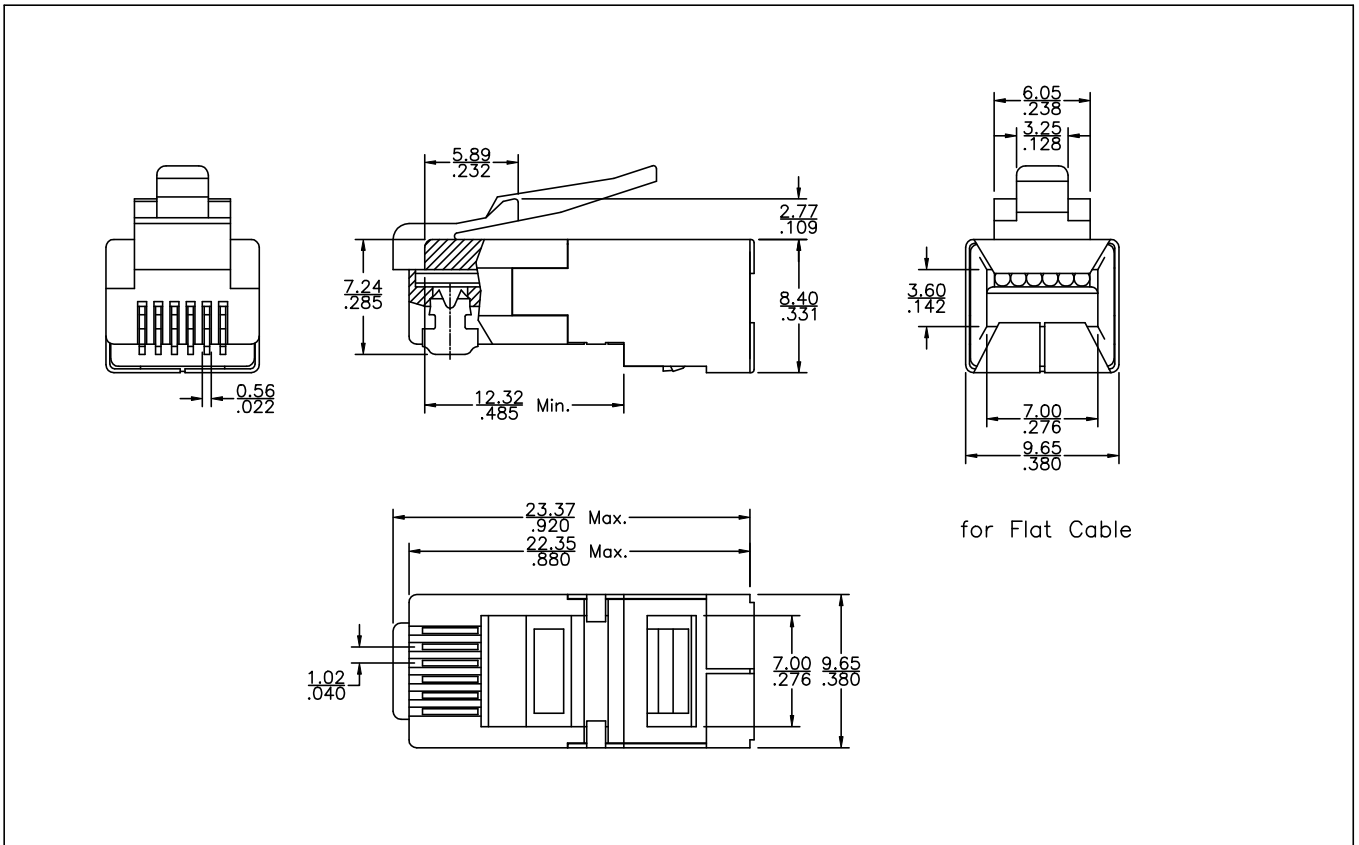


Specification:

- * Voltage Rating: 250V AC
- * Current Rating: 2A
- * Insulation Resistance: 500 MΩ
- * Termination Resistance: 35 MΩ
- * Operating Temperature: -40°C to +125°C

Material and Finish:

- * Housing: Polycarbonate (PC.) UL94V-0.
- * Contact: High Strength Copper Alloy, Gold Plated over 50u" Nickel.
- * Shielded: 0.25mm Thickness Copper Alloy, Nickel Plated.
- * Comply with FCC rules and regulations part 68, subpart F .



Ordering Information

Series No.	No. of Contact	Contact Plating	Cable Type	Wire Type
TP-006JS	6	1	F	1
	2 Contacts <input type="checkbox"/>	3 μ" <input type="checkbox"/>	for Flat Cable <input type="checkbox"/>	for Stranded wire <input type="checkbox"/>
	4 Contacts <input type="checkbox"/>	6 μ" <input type="checkbox"/>		for Solid wire (2 Prongs) <input type="checkbox"/>
	6 Contacts <input type="checkbox"/>	15 μ" <input type="checkbox"/>		for Solid wire (3 Prongs) <input type="checkbox"/>
		30 μ" <input type="checkbox"/>		
		50 μ" <input type="checkbox"/>		

SINGATRON U.S.A. Tel: (909)464-1883 Fax: (909)464-1884 Email: sales@singatron.com