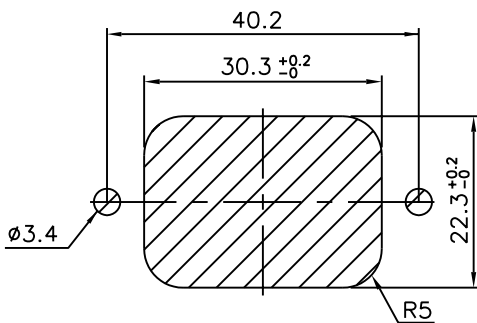
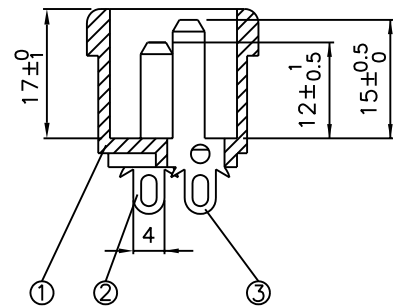
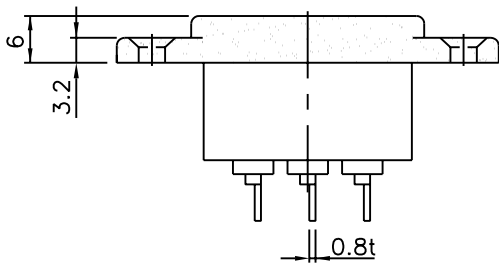
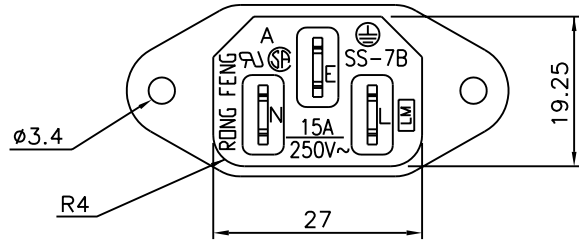
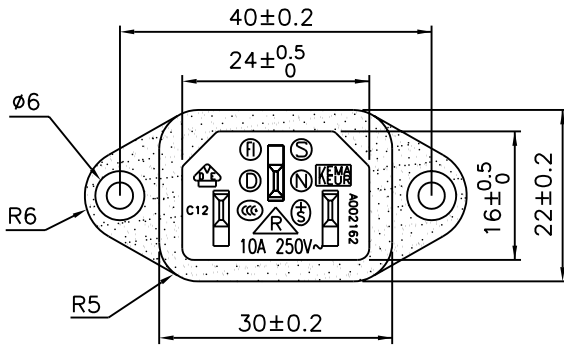


# SINGATRON ENT. CO., LTD. (U.S.A.)

SS-7B INLET

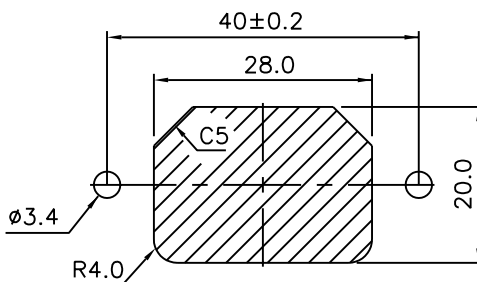
SCALE : 1:1

UNIT : mm



Rating: 15A 250V AC  
 Approvals: UL/CSA  
 Rating: 10A 250V AC  
 Approvals: VDE/DEMKO/NEMKO  
 SEV/SEMKO/FIMKO  
 KEMA/CCC

Mounting inlet flange at back of cover.



Mounting inlet flange in front of cover.

			DIMENSIONAL TOLERANCES	
			GRADATION	TOLERANCE
3	Soldering PIN Bronze Strip t=2mm Tin-Plated	1		
2	Contact PIN Bronze Strip t=2mm Tin-Plated	2	X	±0.4
1	Body Insulator PBT 420-SEO Black Color	1	X.X	±0.3
APPROVED:	CHECK:	DRAWER: MAY	MATERIAL NO: SS-7B-VDER-4.0	X.XX ±0.1
			DRAWING NO: 910124	ANGLE ±1°