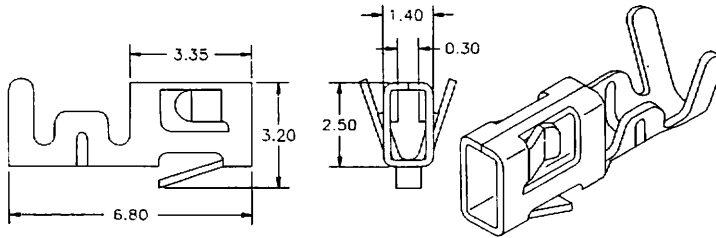


2.50mm (0.098") Pin Housing

RH Series

Contact

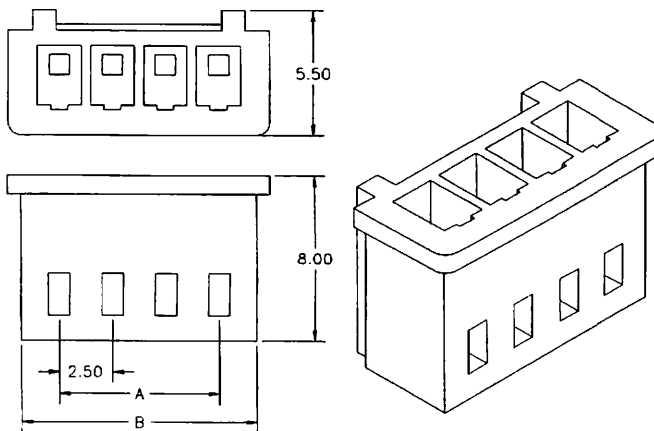


FEATURES

2-20 Circuits
 Post: Brass, Copper-Undercoated,
 Tin/Lead-Plated
 Wafer: Nylon, UL 94V-0

Model No.	Applicable Wire			Material	Finish
	2 mm	AWG #	Insulation O.D.		
RH-C-1	0.2 to 0.08	22 to 28	0.9 to 1.5	Phosphor Brass	-
RH-C-2	0.2 to 0.08	22 to 28	0.5 to 0.9	Phosphor	Tin-Plated
RH-C-3	0.2 to 0.08	22 to 28	0.5 to 0.9	Brass	-
RH-C-4	0.2 to 0.08	22 to 28	0.5 to 0.9	Brass	Tin-Plated
RH-C-5	0.13 to 0.05	26 to 30	0.5 to 0.9	Phosphor Brass	-
RH-C-6	0.13 to 0.05	26 to 30	0.5 to 0.9	Phosphor	Tin-Plated
RH-C-7	0.2 to 0.08	22 to 28	0.5 to 0.9	Phosphor Brass	-
RH-C-8	0.2 to 0.08	22 to 28	0.5 to 0.9	Phosphor	Tin-Plated

Housing



SPECIFICATIONS

Current Rating: 3A AC DC
 Voltage Rating: 250V AC Maximum
 Temperature Range: -25°C~+90°C
 Contact Resistance: Initial Value/10 m ohm max
 After Environmental Testing /20 m ohm min
 Insulation Resistance: 1000 M ohm min
 Withstand Voltage: 1500V AC/minute
 P.C.Board Thickness: 1.6mm(.063")

Circuits	Model No.	Dimension mm	
		A	B
2	RH-H- 2	2.50	6.74
3	RH-H- 3	5.00	9.24
4	RH-H- 4	7.50	11.74
5	RH-H- 5	10.00	14.24
6	RH-H- 6	12.50	16.74
7	RH-H- 7	15.00	19.24
8	RH-H- 8	17.50	21.74
9	RH-H- 9	20.00	24.24
10	RH-H-10	22.50	26.74
11	RH-H-11	25.00	29.24

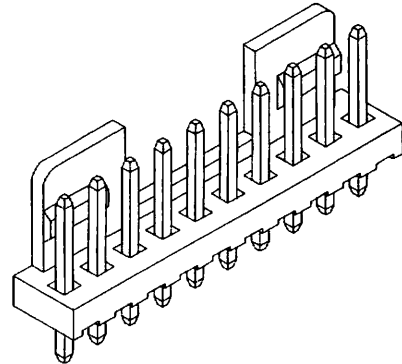
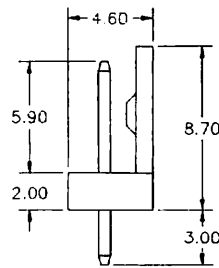
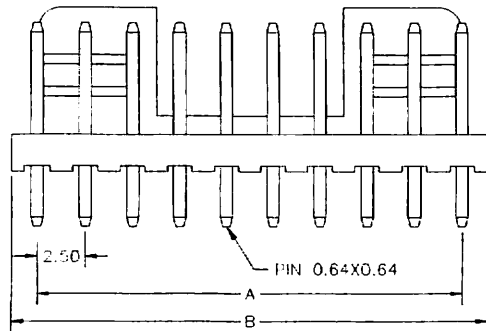
Circuits	Model No.	Dimension mm	
		A	B
12	RH-H-12	27.50	31.74
13	RH-H-13	30.00	34.24
14	RH-H-14	32.50	36.74
15	RH-H-15	35.00	39.24
16	RH-H-16	37.50	41.74
17	RH-H-17	40.00	44.24
18	RH-H-18	42.50	46.74
19	RH-H-19	45.00	49.24
20	RH-H-20	47.50	51.74

SINGATRON ENT. CO., LTD. Tel.: (909) 464-1883 Fax.: (909) 464-1884

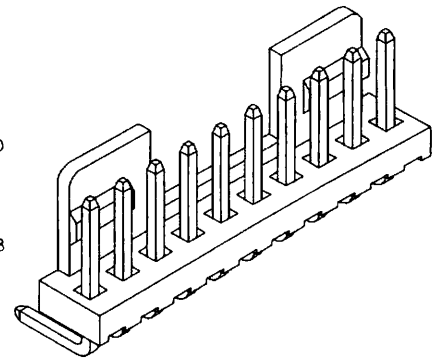
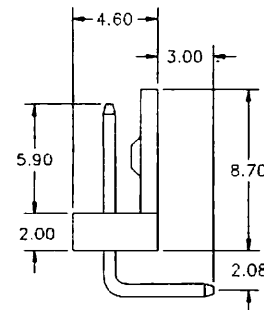
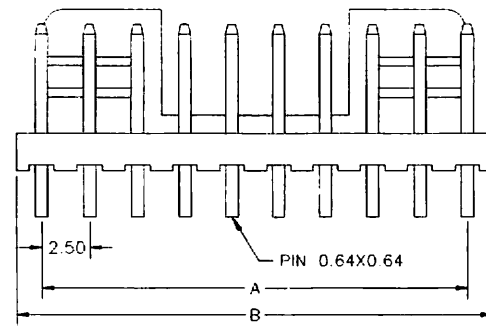
2.50mm (0.098") Pin Wafer

RH Series

Top Entry Type



Side Entry Type

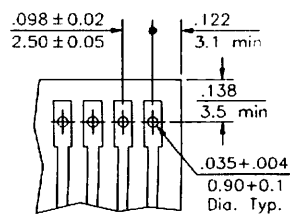


Circuits	Model No.		Dimension mm	
	Top Entry	Side Entry	A	B
2	RH-T- 2	RH-S- 2	2.5	5.0
3	RH-T- 3	RH-S- 3	5.0	7.5
4	RH-T- 4	RH-S- 4	7.5	10.0
5	RH-T- 5	RH-S- 5	10.0	12.5
6	RH-T- 6	RH-S- 6	12.5	15.0
7	RH-T- 7	RH-S- 7	15.0	17.5
8	RH-T- 8	RH-S- 8	17.5	20.0
9	RH-T- 9	RH-S- 9	20.0	22.5
10	RH-T-10	RH-S-10	22.5	25.0
11	RH-T-11	RH-S-11	25.0	27.5

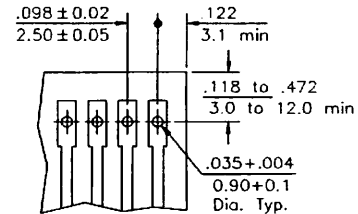
Circuits	Model No.		Dimension mm	
	Top Entry	Side Entry	A	B
12	RH-T-12	RH-S-12	27.5	30.0
13	RH-T-13	RH-S-13	30.0	32.5
14	RH-T-14	RH-S-14	32.5	35.0
15	RH-T-15	RH-S-15	35.0	37.5
16	RH-T-16	RH-S-16	37.5	40.0
17	RH-T-17	RH-S-17	40.0	42.5
18	RH-T-18	RH-S-18	42.5	45.0
19	RH-T-19	RH-S-19	45.0	47.5
20	RH-T-20	RH-S-20	47.5	50.0

DIP Type P.C.Board Layout

Top Entry Type



Side Entry Type



SINGATRON ENT. CO., LTD. Tel.: (909) 464-1883 Fax.: (909) 464-1884