

# 2.0mm (0.079") Pin Housing

(Double Row)

PD2 Series

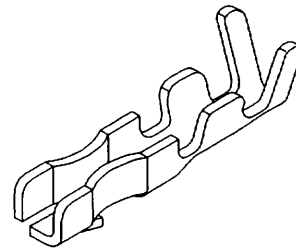
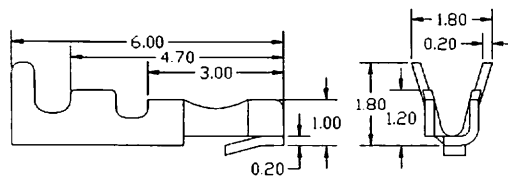
## FEATURES

4-80 Circuits  
 Contact Material: Copper alloy  
 Applicable wires: AWG # 24 to 30  
 Housing Material: Nylon, UL 94V-0

## SPECIFICATIONS

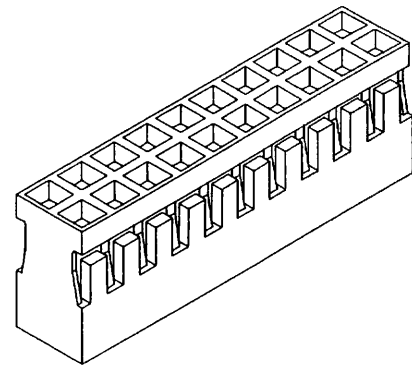
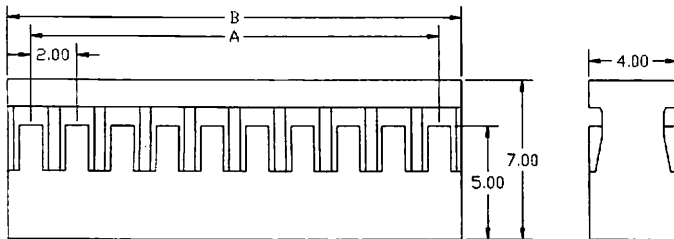
Current Rating: 1A AC, DC  
 Voltage Rating: 100V AC Maximum  
 Temperature Range: -55°C~+105°C  
 Contact Resistance: 20 m ohm Max  
 Insulation Resistance: 1000 M ohm min  
 Withstand Voltage: 800V AC/minute

## Contact



| Model No. | Applicable Wire |          |                 | Material        | Finish     |
|-----------|-----------------|----------|-----------------|-----------------|------------|
|           | mm <sup>2</sup> | AWG #    | Insulation O.D. |                 |            |
| PD-C-2    | 0.2 to 0.5      | 24 to 30 | 1.3 to 1.0      | Phosphor Bronze | Tin-Plated |

## Housing



| Circuits | Model No. | Dimension mm |      | Circuits | Model No. | Dimension mm |      | Circuits | Model No. | Dimension mm |      |
|----------|-----------|--------------|------|----------|-----------|--------------|------|----------|-----------|--------------|------|
|          |           | A            | B    |          |           | A            | B    |          |           | A            | B    |
| 4        | PD2-H-4   | 2.0          | 4.0  | 30       | PD2-H-30  | 28.0         | 30.0 | 56       | PD2-H-56  | 54.0         | 56.0 |
| 6        | PD2-H-6   | 4.0          | 6.0  | 32       | PD2-H-32  | 30.0         | 32.0 | 58       | PD2-H-58  | 56.0         | 58.0 |
| 8        | PD2-H-8   | 6.0          | 8.0  | 34       | PD2-H-34  | 32.0         | 34.0 | 60       | PD2-H-60  | 58.0         | 60.0 |
| 10       | PD2-H-10  | 8.0          | 10.0 | 36       | PD2-H-36  | 34.0         | 36.0 | 62       | PD2-H-62  | 60.0         | 62.0 |
| 12       | PD2-H-12  | 10.0         | 12.0 | 38       | PD2-H-38  | 36.0         | 38.0 | 64       | PD2-H-64  | 62.0         | 64.0 |
| 14       | PD2-H-14  | 12.0         | 14.0 | 40       | PD2-H-40  | 38.0         | 40.0 | 66       | PD2-H-66  | 64.0         | 66.0 |
| 16       | PD2-H-16  | 14.0         | 16.0 | 42       | PD2-H-42  | 40.0         | 42.0 | 68       | PD2-H-68  | 66.0         | 68.0 |
| 18       | PD2-H-18  | 16.0         | 18.0 | 44       | PD2-H-44  | 42.0         | 44.0 | 70       | PD2-H-70  | 68.0         | 70.0 |
| 20       | PD2-H-20  | 18.0         | 20.0 | 46       | PD2-H-46  | 44.0         | 46.0 | 72       | PD2-H-72  | 70.0         | 72.0 |
| 22       | PD2-H-22  | 20.0         | 22.0 | 48       | PD2-H-48  | 46.0         | 48.0 | 74       | PD2-H-74  | 72.0         | 74.0 |
| 24       | PD2-H-24  | 22.0         | 24.0 | 50       | PD2-H-50  | 48.0         | 50.0 | 76       | PD2-H-76  | 74.0         | 76.0 |
| 26       | PD2-H-26  | 24.0         | 26.0 | 52       | PD2-H-52  | 50.0         | 52.0 | 78       | PD2-H-78  | 76.0         | 78.0 |
| 28       | PD2-H-28  | 26.0         | 28.0 | 54       | PD2-H-54  | 52.0         | 54.0 | 80       | PD2-H-80  | 78.0         | 80.0 |

SINGATRON ENT. CO., LTD. Tel.: (909) 464-1883 Fax.: (909) 464-1884