

# 5.08mm (0.2") SMT Pin Housing

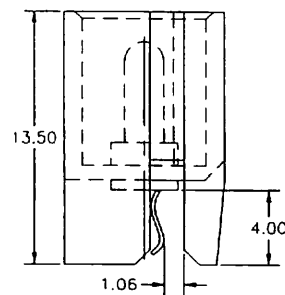
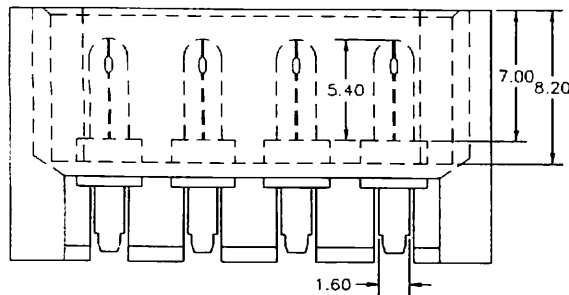
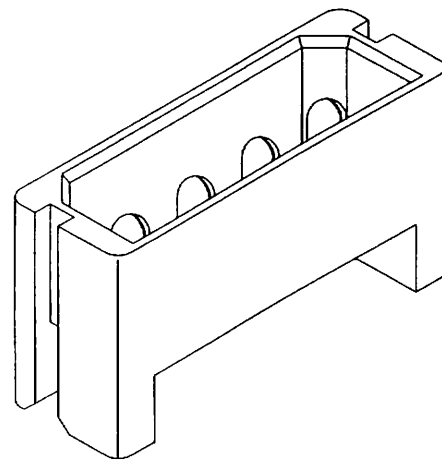
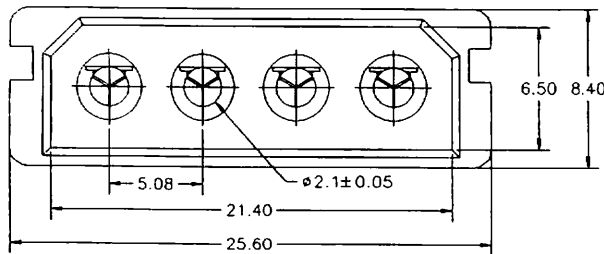
MH Series

## FEATURES

4 Circuits  
 Contact Material: Copper alloy  
 Wafer Material: Nylon, UL 94V-0

## SPECIFICATIONS

Current Rating: 7A AC, DC  
 Voltage Rating: 250V AC Maximum  
 Temperature Range: -25°C~+90°C  
 Contact Resistance: 20 m ohm Max  
 Insulation Resistance: 1000 M ohm min  
 Withstand Voltage: 1000V AC/minute  
 P.C.Board Thickness: 1.6mm(.063")



Circuits	Model No.
4	MH-S- 4

## Recommended P.C.Board Hole Layout

### SMT Layout

