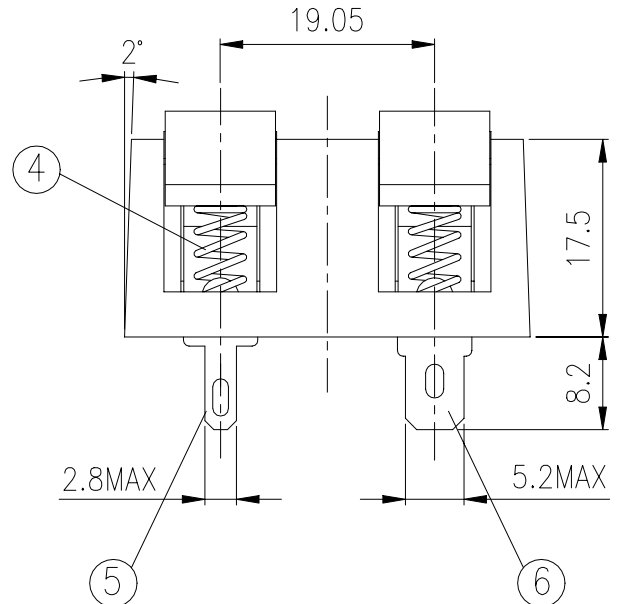
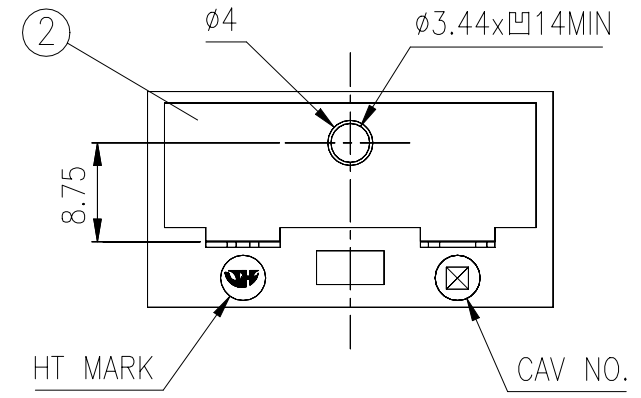
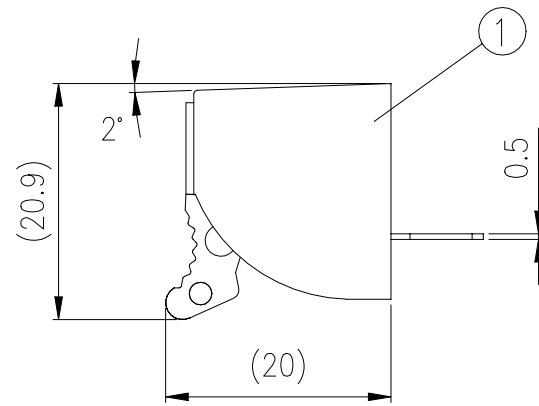
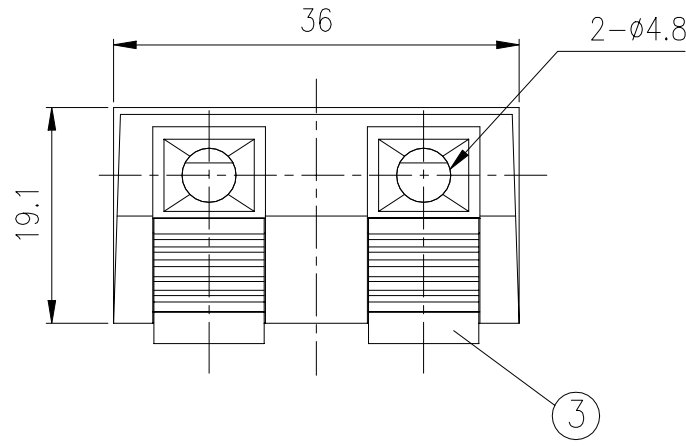


REVISIONS				
LTR	DESCRIPTION	DATE	REVISED	APPROVED
x3	電鍍 L-Pb/Sn 變更為 Pb/Sn, 線徑 0.6 變更為 0.55	1999.03.23	H.P.LIU	KUNG



6	TERMINAL	1	SPCC t=0.5	MB:Cu, Pb/Sn PLATED
5	TERMINAL	1	SPCC t=0.5	MB:Cu, Pb/Sn PLATED
4	SPRING	2	SWC <del>0.6</del> 0.55	
3	PUSH PLATE	2	ABS UL-94HB	
2	COVER	1	ABS UL-94HB	
1	HOUSING	1	ABS UL-94HB	

LTR	PART NAME	QTY	MATERIAL	REMARK
DSND	H.P.LIU	DATE	1998.12.22	NAME <b>PUSH TERMINAL</b> CAT. No. <b>KM05007-</b> DWN. No. <b>A-05007</b>
DWN	H.P.LIU	DATE	1998.12.22	
CHKD	JOHNSON	DATE	1999.03.23	
APVD	KUNG	DATE	1999.03.23	

UNLESS OTHERWISE SPECIFIED, TOLERANCE ON DECIMAL: ±0.3 FRACTIONS: ANGLES:

**SINGATRON U.S.A.**