

8.0mm (0.315") Power Housing

KH Series

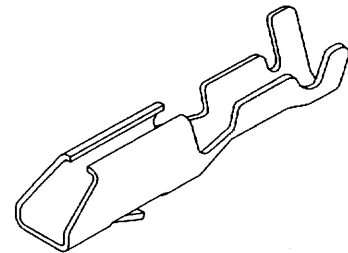
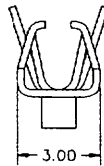
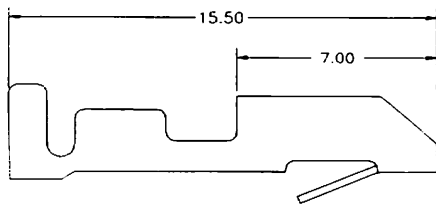
FEATURES

1-6 Circuits
 Post: Brass, Copper-Undercoated,
 Tin/Lead-Plated
 Wafer: Nylon, UL 94V-0

SPECIFICATIONS

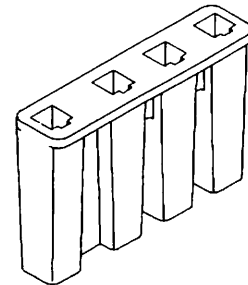
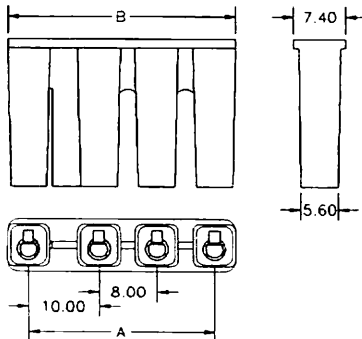
Current Rating: 3A AC DC
 Voltage Rating: 250V AC Maximum
 Temperature Range: -25°C~+90°C
 Contact Resistance: Initial Value/10 m ohm max
 After Environmental Testing
 /20 m ohm min
 Insulation Resistance: 1000 M ohm min
 Withstand Voltage: 1500V AC/minute
 P.C.Board Thickness: 1.6mm(.063")

Contact



Model No.	Applicable Wire			Material	Finish
	mm ²	AWG #	Insulation O.D.		
KH-C-0	0.75 to 1.3	18 to 26	2.2 to 1.2	Brass	Tin-Plated

Housing



Circuits	Model No.	Dimension mm	
		A	B
1	KH-H- 1	-	7.20
2	KH-H- 2	10.00	24.00
3	KH-H- 3	18.00	16.00

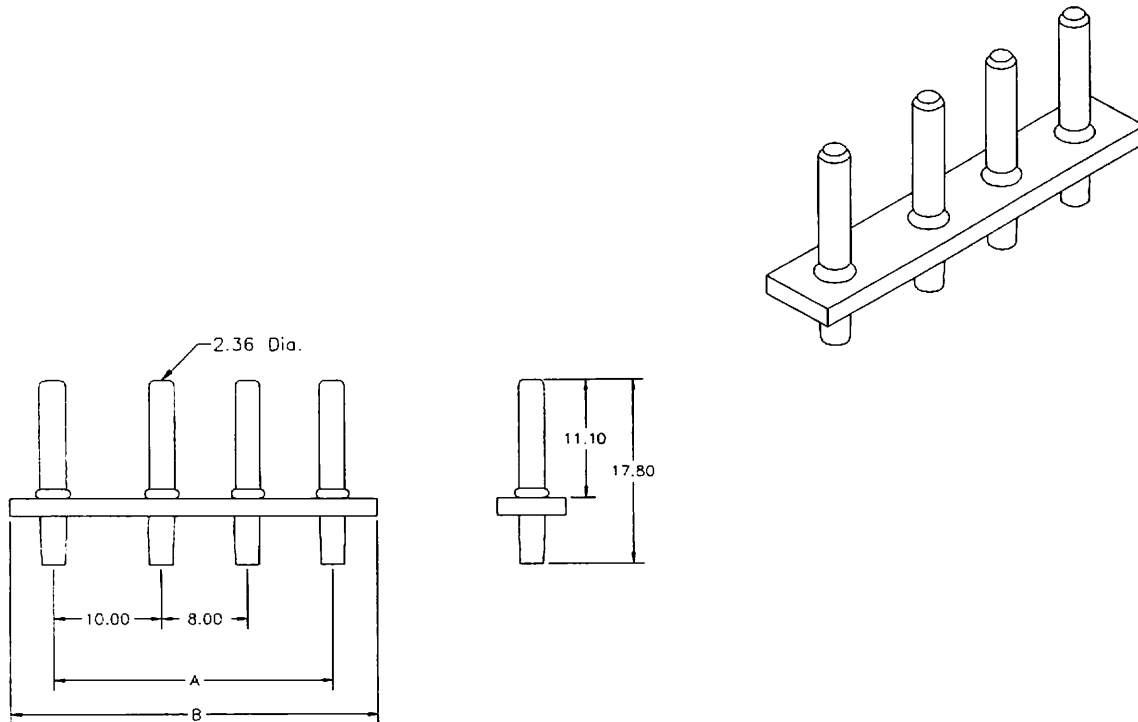
Circuits	Model No.	Dimension mm	
		A	B
4	KH-H- 4	6.0	9.8
5	KH-H- 5	8.0	11.8
6	KH-H- 6	10.0	13.8

SINGATRON ENT. CO., LTD. Tel.: (909) 464-1883 Fax.: (909) 464-1884

8.0mm (0.315") Power Wafer

KH Series

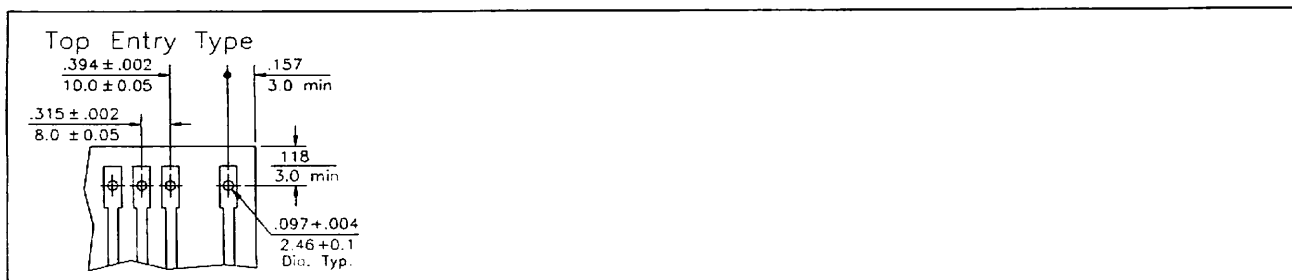
Top Entry Type



Circuits	Model No.		Dimension mm	
	Top Entry	Side Entry	A	B
1	KH-T- 1	KH-S- 1	2.0	5.9
2	KH-T- 2	KH-S- 2	2.0	5.9
3	KH-T- 3	KH-S- 3	4.0	7.9

Circuits	Model No.		Dimension mm	
	Top Entry	Side Entry	A	B
4	KH-T- 4	KH-S- 4	6.0	9.9
5	KH-T- 5	KH-S- 5	8.0	11.9
6	KH-T- 6	KH-S- 6	10.0	13.9

DIP Type P.C.Board Layout



SINGATRON ENT. CO., LTD. Tel.: (909) 464-1883 Fax.: (909) 464-1884