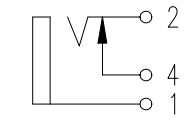
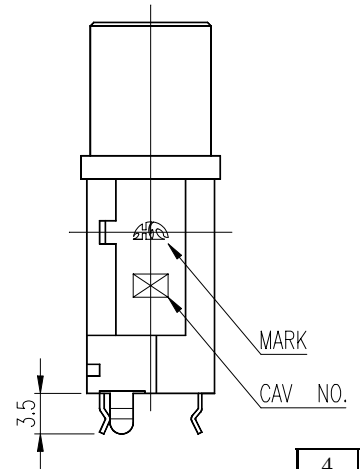
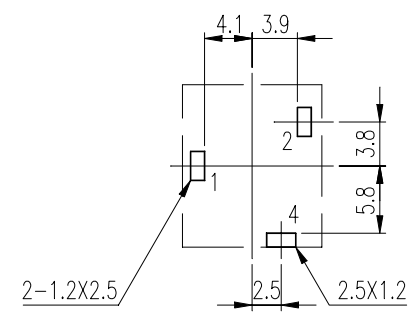
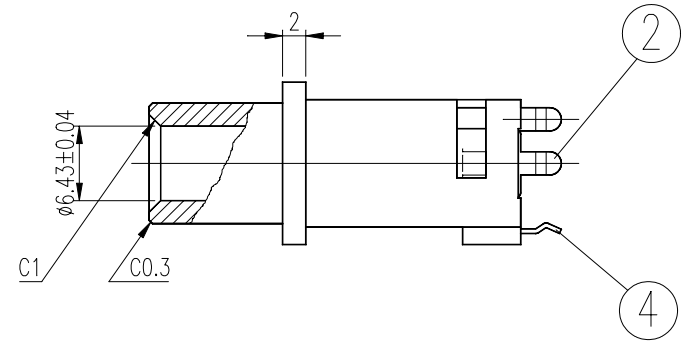
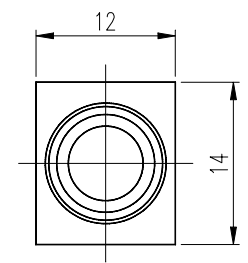
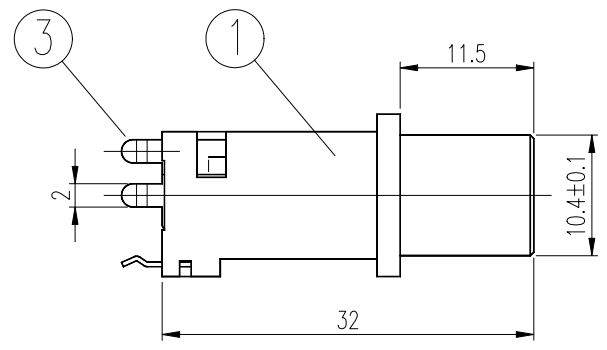


REVISIONS				
LTR	DESCRIPTION	DATE	REVISED	APPROVED
1	材質變更,提升耐熱性	1999.11.02	JOHNSON	KUNG



CIRCUIT DIAGRAM

RECOMMEND P.C.B. HOLE LAYOUT
 T:1.6 Dimension of PC board holes
 Tolerance : ±0.1 (Printed-side View)

4	SHUNT SPRING	1	C2680, t=0.4	(4)	MB:Cu Ag PLATED
3	TIP SPRING	1	C5210, t=0.4	(2)	MB:Cu Ag PLATED
2	EARTH TERMINAL	1	C5210, t=0.3	(1)	MB:Cu Ag PLATED
1	HOUSING	1	ABS, PBT+30% GF		UL-94V-0
LTR	PART NAME	QTY	MATERIAL		REMARK
DSND	JOHNSON	DATE	1999.09.09	3RD ANGLE PROJECTION	NAME
DWN	JOHNSON	DATE	1999.11.02		PHONE JACK
CHKD	KUNG	DATE	1999.11.02		CAT. No.
APVD		DATE			HTJ-064-20I
SINGATRON U.S.A.					DWN. No.
					A-06420I

UNLESS OTHERWISE SPECIFIED, TOLERANCE ON DECIMAL:±0.2 FRACTIONS: ANGLES: