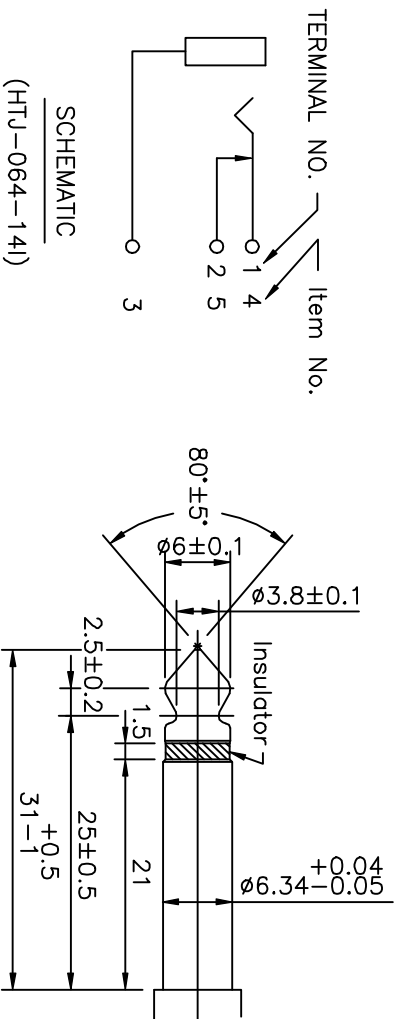
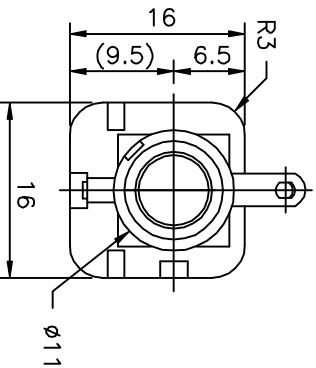
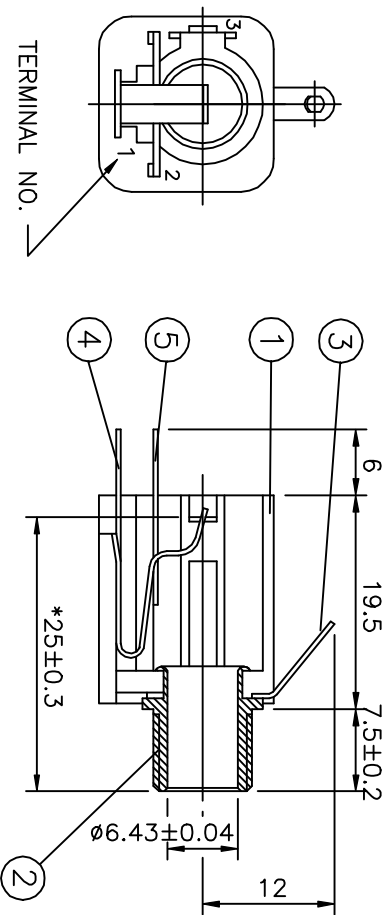
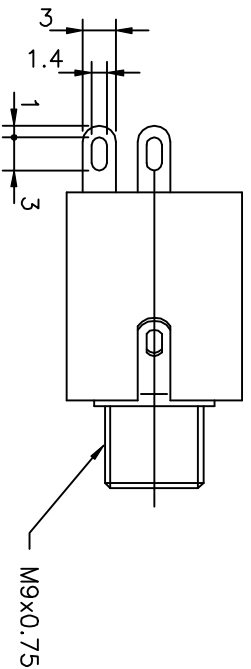


REVISIONS				
LTR	DESCRIPTION	DATE	REVISED	APPROVED

\* CHARACTERISTIC \*

1. Dielectric strength : AC 500V for one minute.
2. Insulation resistance : DC 500V 50M $\Omega$  MIN.
3. Contact resistance : below 30m $\Omega$  at a current of 100mA and a frequency of 1KHz by the voltage drop method.
4. Insertion force : 2.5KG MAX. (Before life test)
5. Extraction force : 0.5KG to 3KG. (Before life test).
6. Life test : Withstand more than 5000 cycles with mate plug.
7. \* is the dimension of plug inserting.



5	BREAK TERMINAL	1	C2680R-H	t=0.5	AG-PLATED		
4	TIP SPRING	1	C5212R-EH	t=0.4	AG-PLATED		
3	EARTH TERMINAL	1	C2680R-H	t=0.5	AG-PLATED		
2	BUSHING	1	BRASS		NI-PLATED		
1	HOUSING	1	PBT+15%GF		94V-0(BLACK)		
LTR	PART NAME	QTY	MATERIAL(THICK,COLOR)				REMARK
DWN	DATE	SCALE 2/1					NAME
DSND	M.L.CHANG	DATE	1992.08.17	3RD ANGLE PROJECTION		NAME	
CHKD	C.W.FENG	DATE	1993.09.03	UNIT: mm		CAT. NO.	
APVD		DATE				HTJ-064-14I	

UNLESS OTHERWISE SPECIFIED, TOLERANCE ON DECIMAL: ±0.3 FRACTIONS:

ANGLES: ±3°

SINGATRON ENTERPRISE CO., LTD. (U.S.A.)

DWN.NO.

A-06414