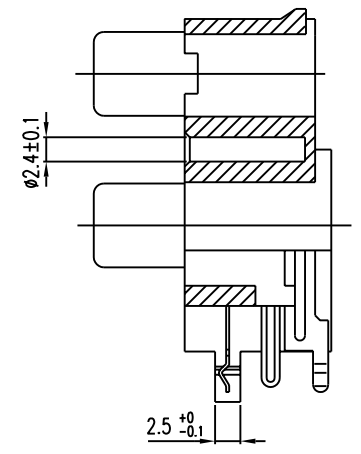
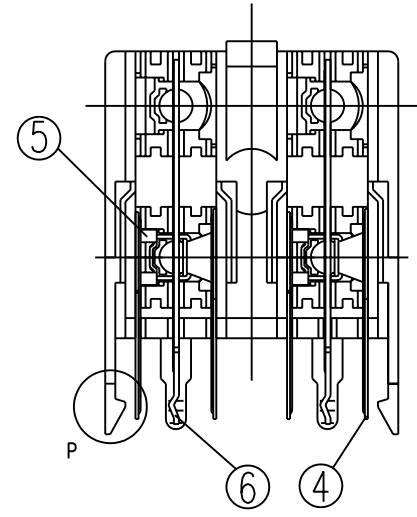
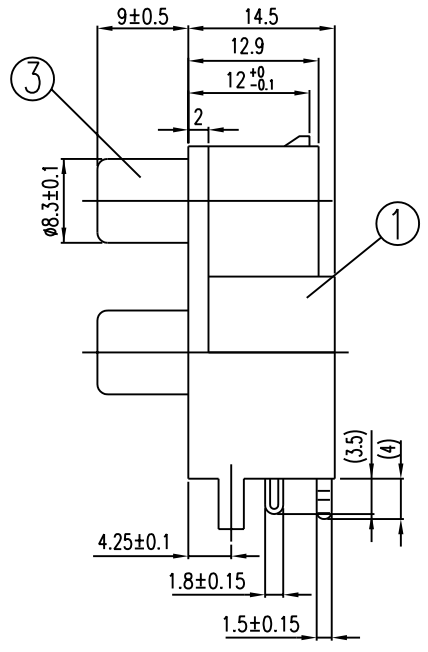
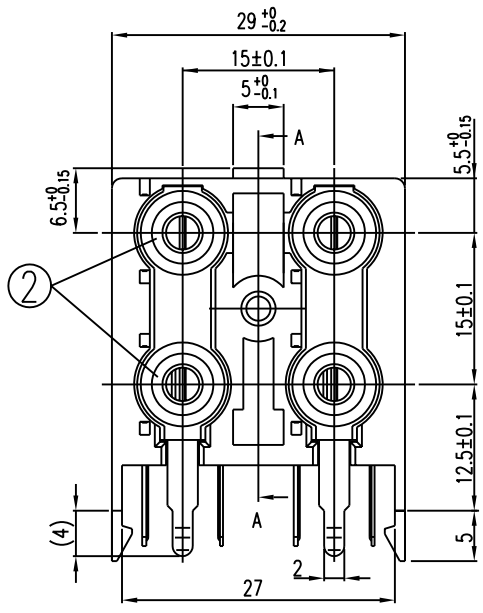
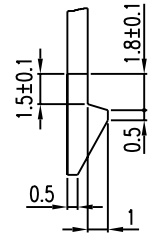
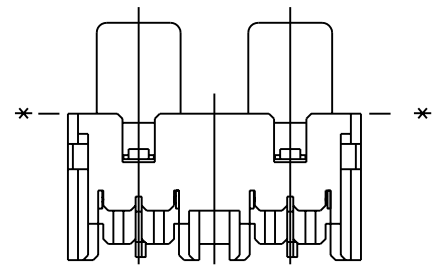


REVISIONS

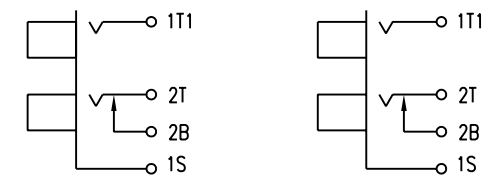
| LTR | DESCRIPTION | DATE | REVISED | APPROVED |
|-----|-------------|------|---------|----------|
|-----|-------------|------|---------|----------|



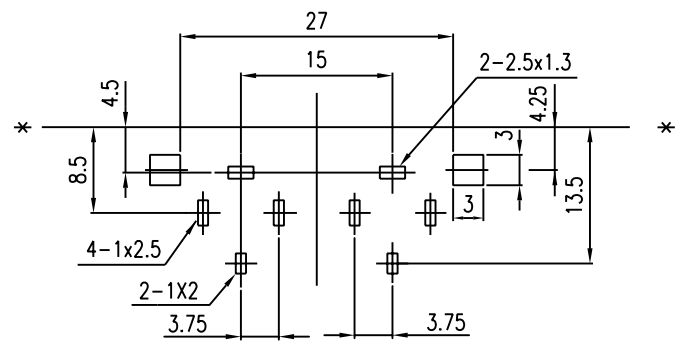
A-A SECTION



"P" DETAIL



CIRCUIT DIAGRAM



T:1.6 Dimension of PC board holes
Tolerance : ±0.1 (Printed-side View)

RECOMMEND P.C.B. HOLE LAYOUT

UNLESS OTHERWISE SPECIFIED, TOLERANCE ON DECIMAL: ±0.3 FRACTIONS:

ANGLES:

| | | | | | | | |
|-----|---------------|-----|-----------------------|---------|--------|-------|--------|
| 6 | TERMINAL | 2 | C2680 | t=0.5 | MB:Cu | Sn/Pb | PLATED |
| 5 | SHUNT SPRING | 2 | C2680 | t=0.3 | MB:Cu | Sn/Pb | PLATED |
| 4 | TIP SPRING | 2 | C5212 | t=0.4 | MB:Cu | Sn/Pb | PLATED |
| 3 | OUTER CONTACT | 2 | SPCC | t=0.4 | MB:Cu | NI | PLATED |
| 2 | WASHER | 4 | ABS | UL-94HB | | | |
| 1 | HOUSING | 1 | ABS | UL-94HB | | | |
| LTR | PART NAME | QTY | MATERIAL(THICK,COLOR) | | REMARK | | |

| | | | |
|------|------|----------------------|------------------|
| DSND | DATE | SCALE 2/1 | NAME |
| DWN | DATE | 3RD ANGLE PROJECTION | PIN JACK |
| CHKD | DATE | UNIT: mm | CAT NO. |
| APVD | DATE | | HTJ-036-22D-____ |

SINGATRON (USA)

DWN.NO. A-3622D 001