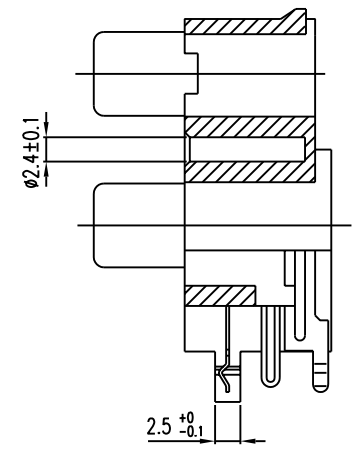
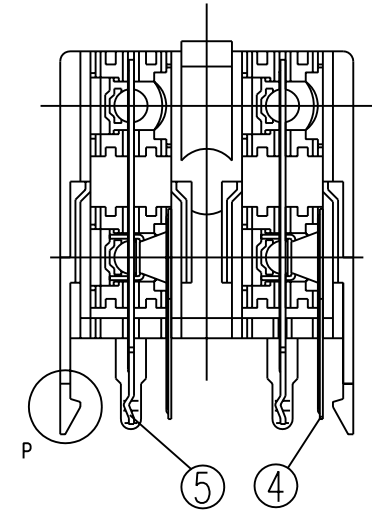
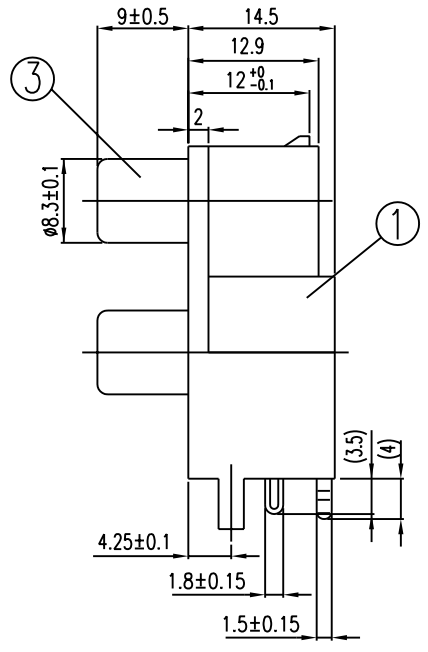
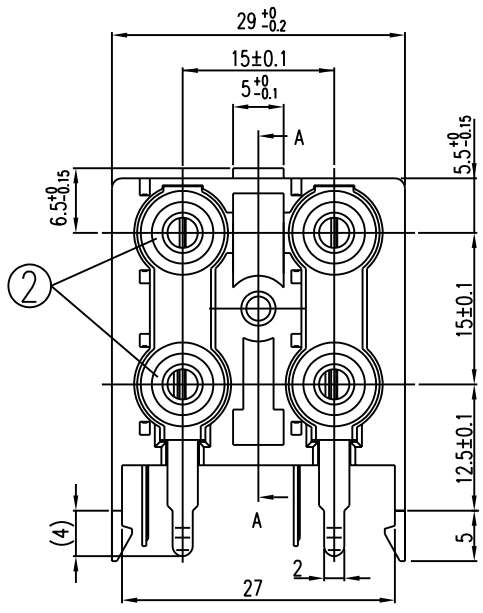
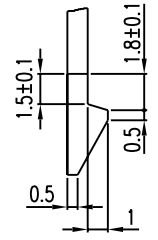
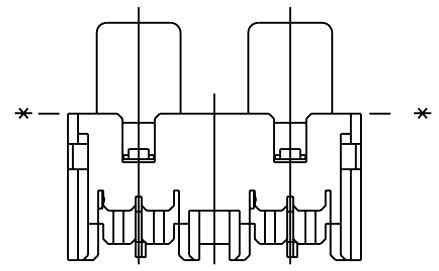


REVISIONS

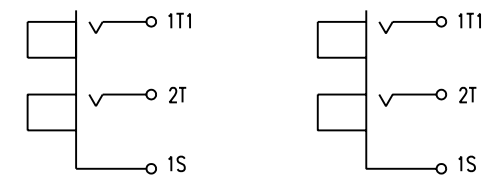
LTR	DESCRIPTION	DATE	REVISED	APPROVED
-----	-------------	------	---------	----------



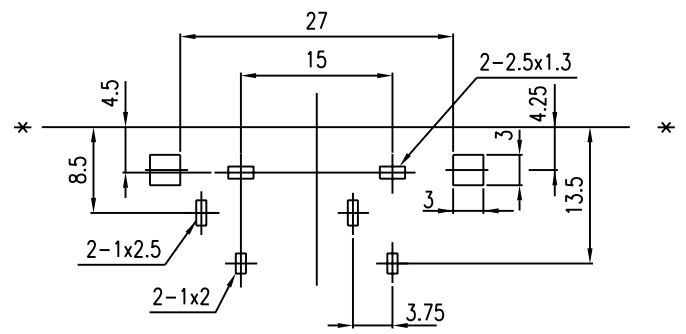
A-A SECTION



"P" DETAIL



CIRCUIT DIAGRAM



T:1.6 Dimension of PC board holes
Tolerance : ±0.1 (Printed-side View)

RECOMMEND P.C.B. HOLE LAYOUT

UNLESS OTHERWISE SPECIFIED, TOLERANCE ON DECIMAL: ±0.3 FRACTIONS:

ANGLES:

5	TERMINAL	2	C2680	t=0.5	MB:Cu	Sn/Pb	PLATED
4	TIP SPRING	2	C5212	t=0.4	MB:Cu	Sn/Pb	PLATED
3	OUTER CONTACT	2	SPCC	t=0.4	MB:Cu	NI	PLATED
2	WASHER	4	ABS	UL-94HB			
1	HOUSING	1	NORLY(PPO)	UL-94V-1			
LTR	PART NAME	QTY	MATERIAL(THICK,COLOR)		REMARK		

DSND	DATE	SCALE 2/1	NAME
DWN	DATE	3RD ANGLE PROJECTION	PIN JACK
CHKD	DATE	UNIT: mm	CAT NO.
APVD	DATE		HTJ-036-22B-___ Z

SINGATRON (USA)

DWN.NO. A-3622BZ 001