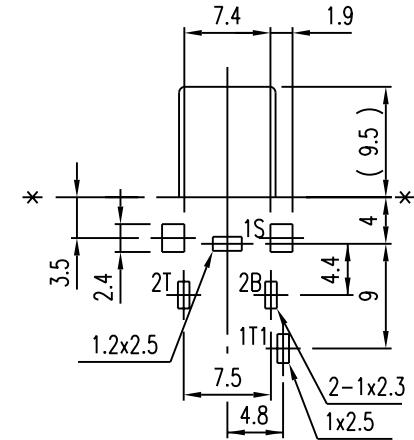
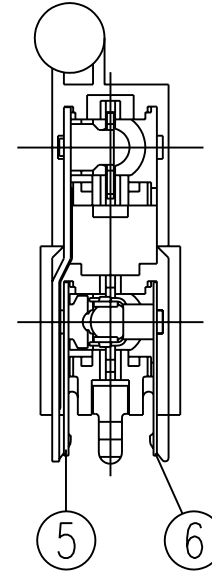
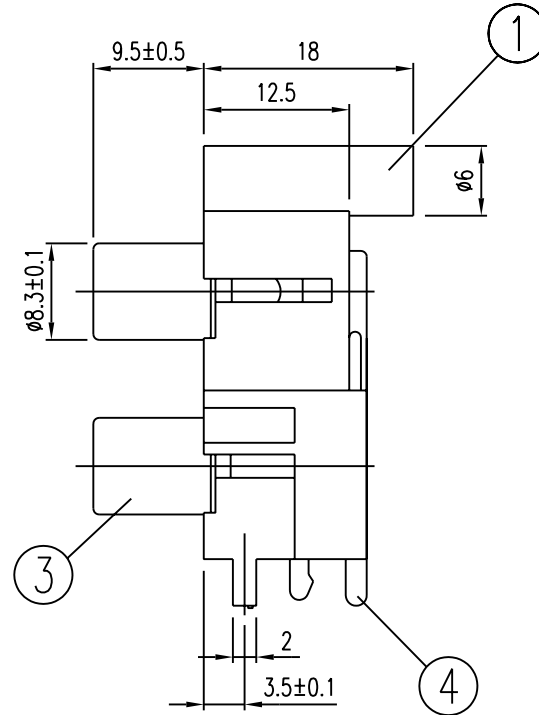
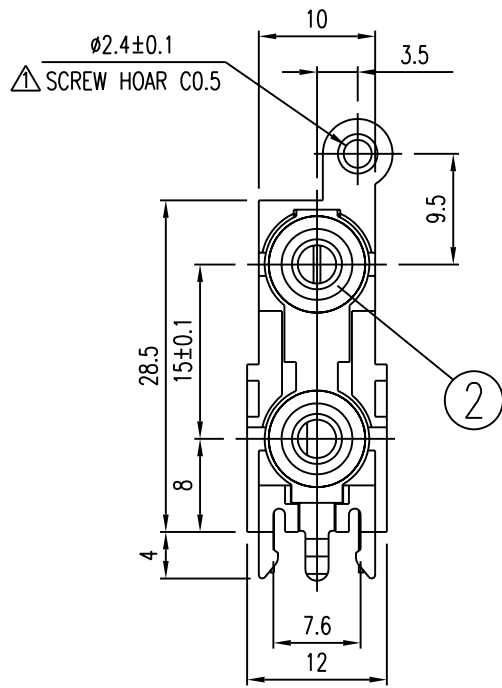


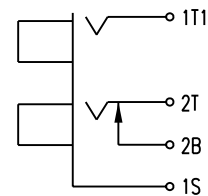
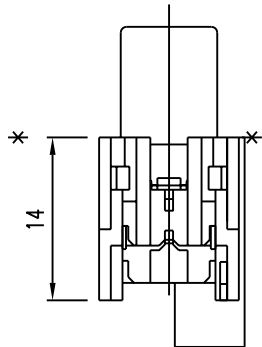
REVISIONS

LTR	DESCRIPTION	DATE	REVISED	APPROVED
Δ x1			H.Y.CHOU	



RECOMMEND P.C.B HOLES LAYOUT

T:1.6 Dimension of PC board holes  
Tolerance : ± 0.1 (Printed-side View)



CIRCUIT DIAGRAM

6	TIP SPRING	1	C5212 , t=:0.3(2T)	MB : Cu Ag PLATED
5	SHUNT SPRING	1	C2680 , t=:0.4(2B)	MB : Cu Ag PLATED
4	SHUNT SPRING	1	C2680 , t=:0.6(1T1)	MB : Cu Sn/Pb PLATED
3	OUTER CONTACT	1	SPCC , t=:0.4(1S)	MB : Cu Ni PLATED
2	WASHER	2	ABS	UL-94HB
1	HOUSING	1	PPO (BLACK)	UL-94V-1

LTR	PART NAME	QTY	MATERIAL(THICK,COLOR)	REMARK
DSND		DATE	SCALE 2/1	NAME
DWN		DATE	3RD ANGLE PROJECTION	PIN JACK
CHKD		DATE	UNIT: mm	CAT. NO.
APVD		DATE		HTJ-034-210-__Z

SINGATRON (USA)

DWN.NO. A-3421DZ 001

UNLESS OTHERWISE SPECIFIED, TOLERANCE ON DECIMAL: ±0.3 FRACTIONS:

ANGLES: