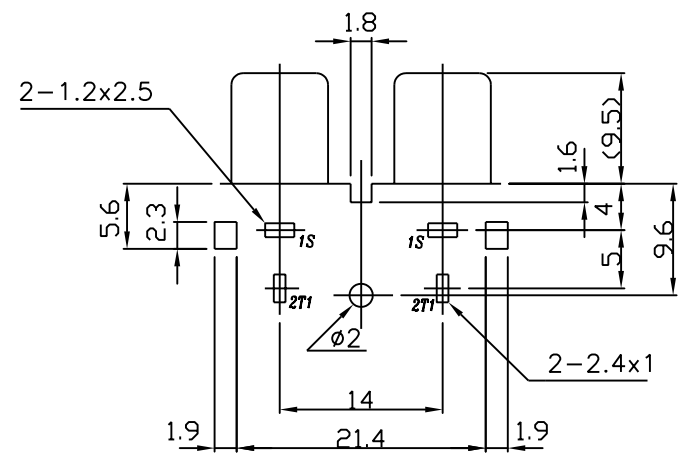
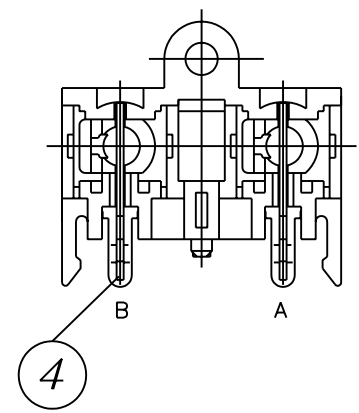
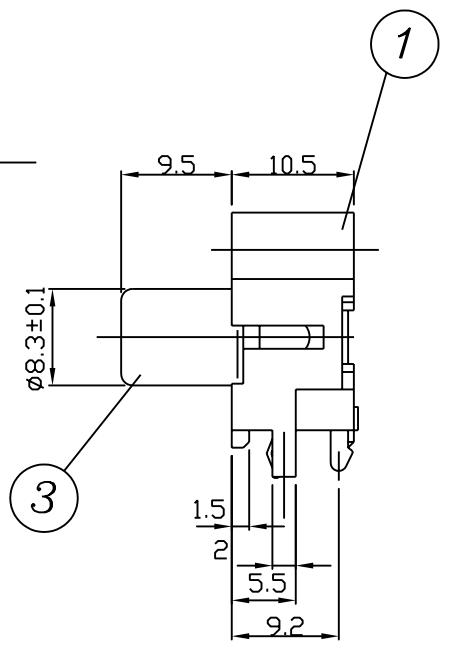
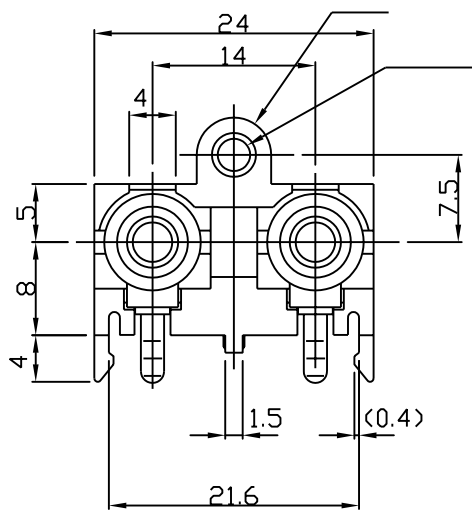
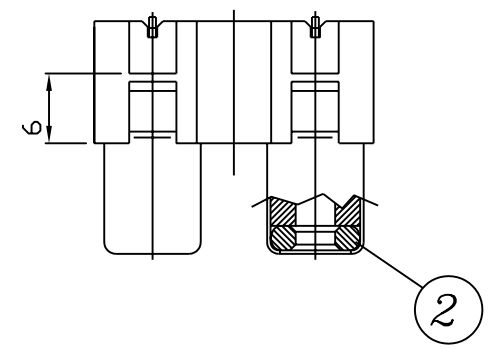
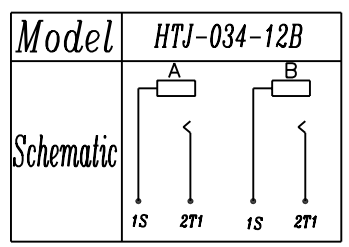
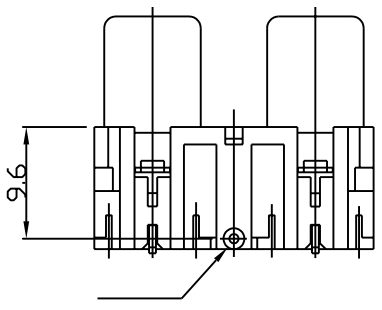


REVISIONS				
LTR	DESCRIPTION	DATE	REVISED	APPROVED



HOLE LAYOUT
(BOTTOM VIEW)
(TOLERANCE:±0.1)



4	TERMINAL	2	C2680 t=0.6	MB:Cu Pb/Sn PLATED
3	OUTER CONTACT	1	C2680 t=0.4	MB:Cu Ni PLATED
2	WASHER	1	ABS	
1	HOUSING	1	PPO.	(UL-94V-1)
LTR	PART NAME	QTY	MATERIAL(THICK,COLOR)	REMARK
DSND	CHRISTINA	DATE	1997.10.09	SCALE 2/1 NAME
DWN	CHRISTINA	DATE	1997.10.09	3RD ANGLE PROJECTION CAT. NO.
CHKD		DATE		UNIT:mm HTJ-034-12B-__
APVD		DATE		DWN.NO.

UNLESS OTHERWISE SPECIFIED, TOLERANCE ON DECIMAL:

FRACTIONS: ANGLES:

SINGATRON (USA)

A-3412B 002