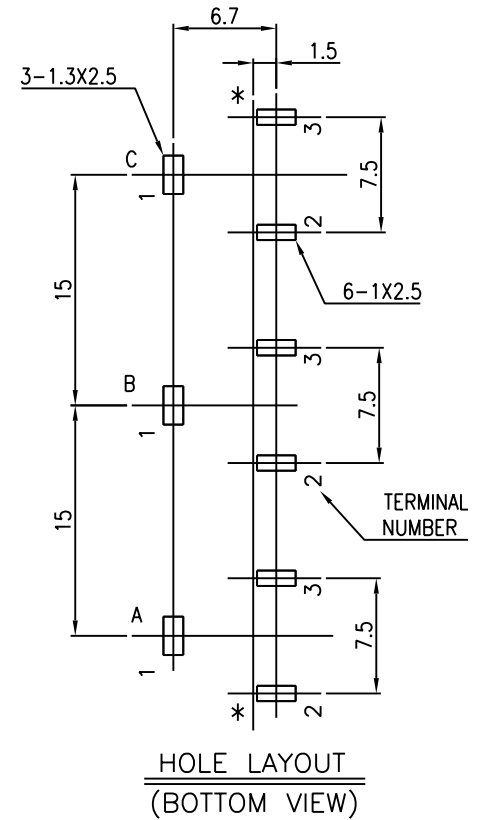
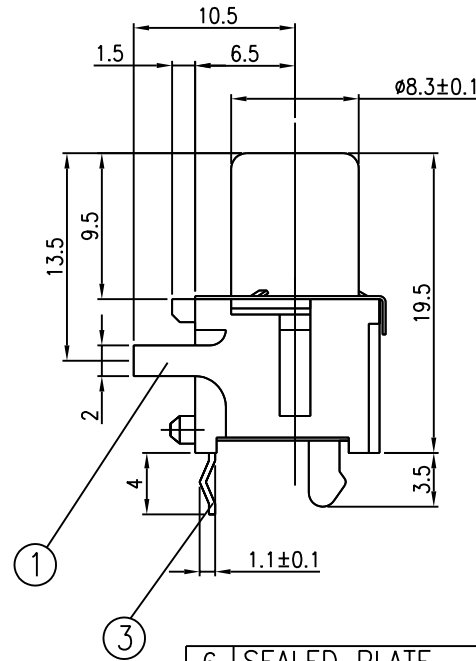
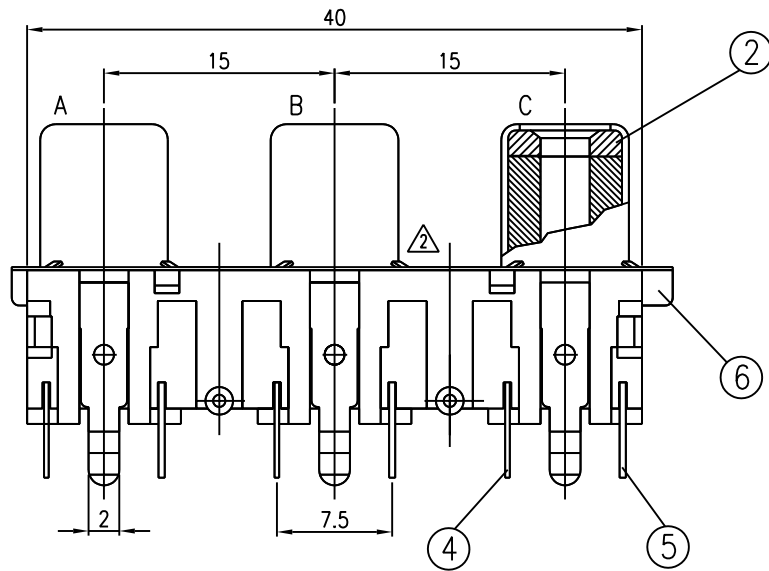
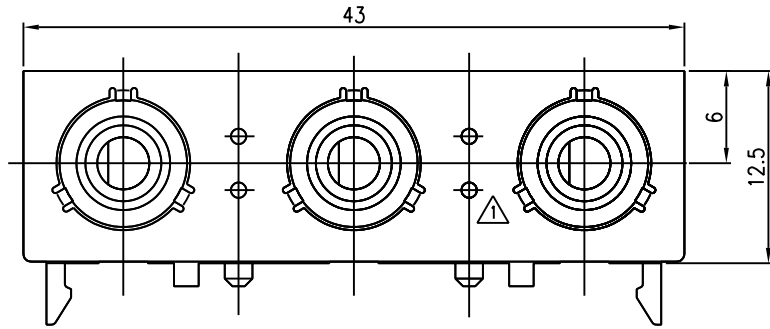


REVISIONS

LTR	DESCRIPTION	DATE	REVISED	APPROVED
△ X 3	SUS304—SK5	2001.03.26		
△ X 1		2002.04.08		



Model No.	HTJ-032-34A1		
	A	B	C
Schematic			

6	SEALED PLATE	1	SUS304 △SK5; t=0.2	△ MB:Cu	Ni	PLATED
5	SHUNT SPRING	3	C2680 ; t=0.4	MB:Cu	Aq	PLATED
4	TIP SPRING	3	C5212 ; t=0.3	MB:Cu	Aq	PLATED
3	OUTER CONTACT	3	C2680 ; t=0.4	MB:Cu	Ni	PLATED
2	WASHER	2	ABS(94HB)			
1	HOUSING	1	ABS(94HB)			

LTR	PART NAME	QTY	MATERIAL(THICK,COLOR)	REMARK
DSND	藍瓊蘭	DATE	1992.03.28	NAME PIN JACK CAT. NO. HTJ-032-34A1- DWN.NO. A-03234A1
DWN		DATE	2002.04.08	
CHKD		DATE		
APVD		DATE		
SINGATRON (USA)				003