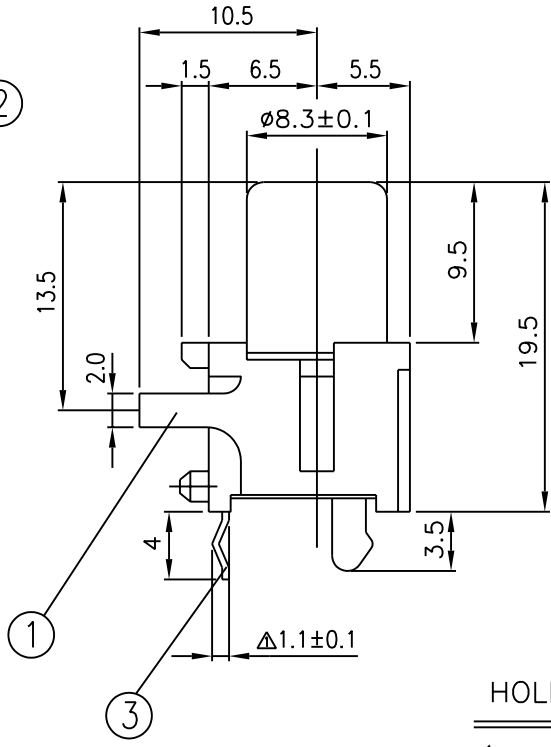
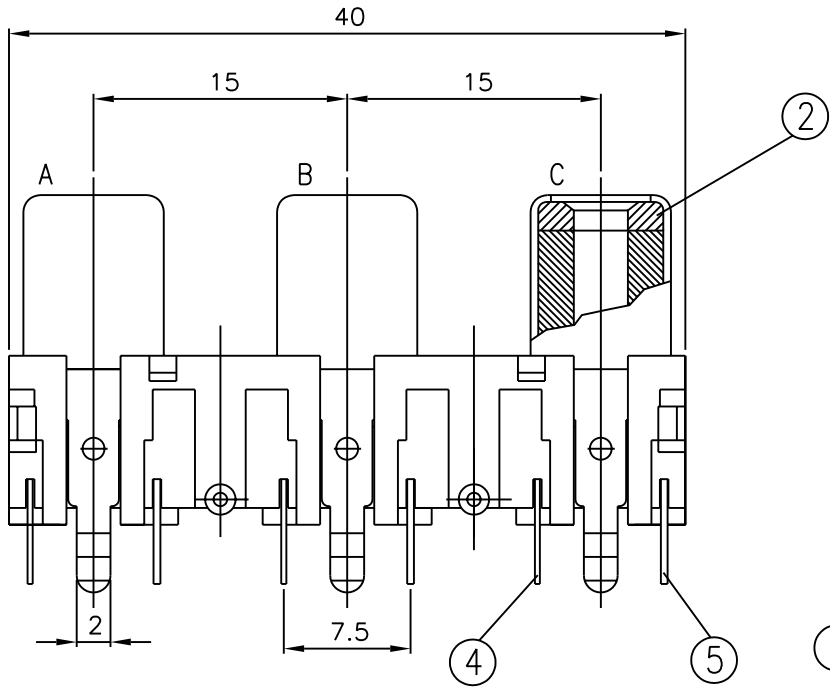
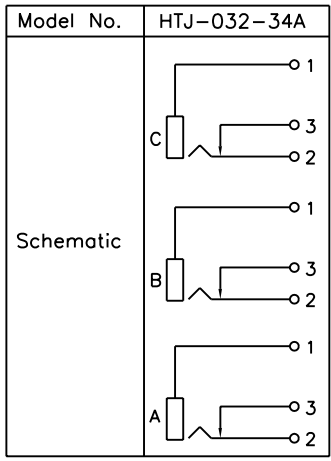
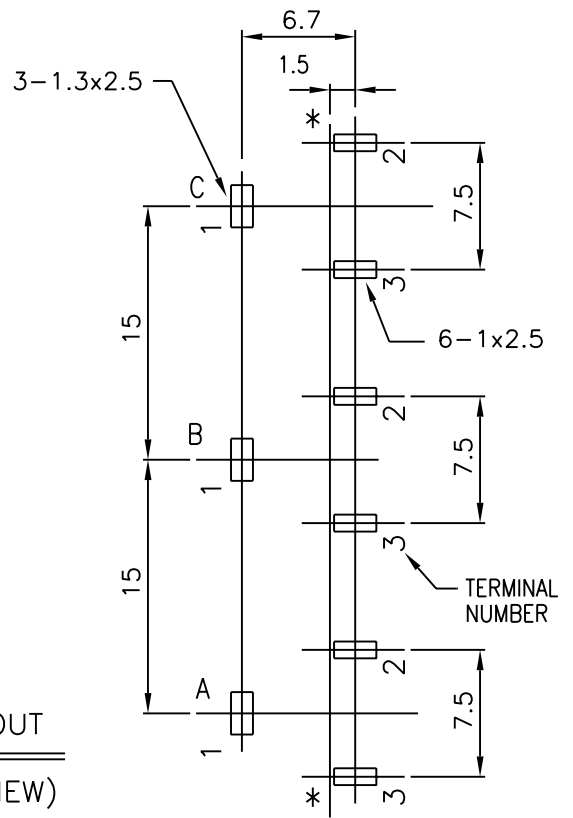


REVISIONS				
LTR	DESCRIPTION	DATE	REVISED	APPROVED
$\Delta \times 1$		1997.02.12	<i>H. P. Liu</i>	



HOLE LAYOUT
(BOTTOM VIEW)



5	SHUNT SPRING	3	C2680 ; t=0.4	MB:Cu	Aq	PLATED
4	TIP SPRING	3	C5212 ; t=0.3	MB:Cu	Aq	PLATED
3	OUTER CONTACT	3	C2680 ; t=0.4	MB:Cu	Ni	PLATED
2	WASHER	2	ABS(94HB)			
1	HOUSING	1	ABS(94HB)			

LTR	PART NAME	QTY	MATERIAL(THICK,COLOR)	REMARK
DSND	藍瓊蘭	DATE	1992.03.28	NAME PIN JACK
DWN	<i>H. P. Liu</i>	DATE	1997.02.12	
CHKD		DATE		CAT. NO. HTJ-032-34A-___
APVD		DATE		

SINGATRON (USA)

DWN.NO.
A-03234A

UNLESS OTHERWISE SPECIFIED, TOLERANCE ON DECIMAL: ±0.3 FRACTIONS: ANGLES: