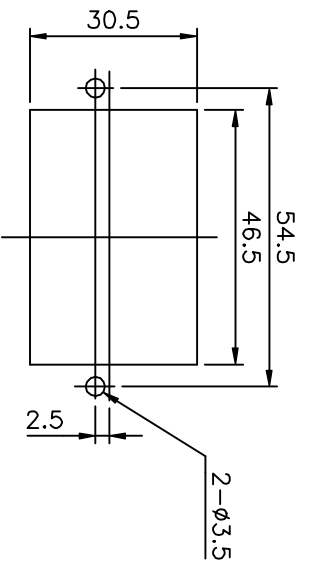
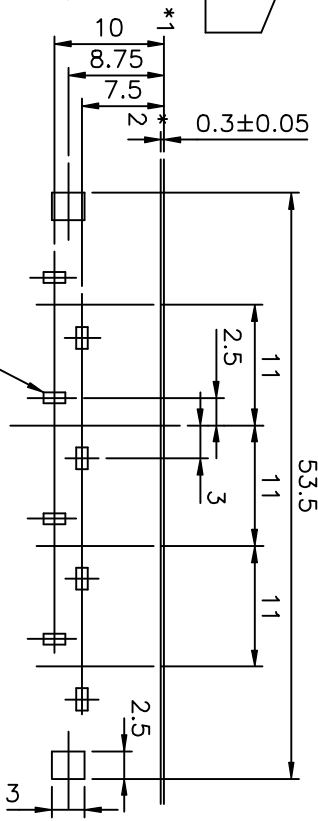
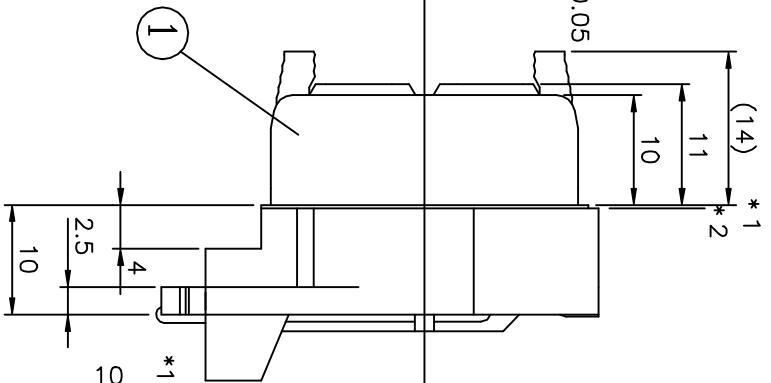
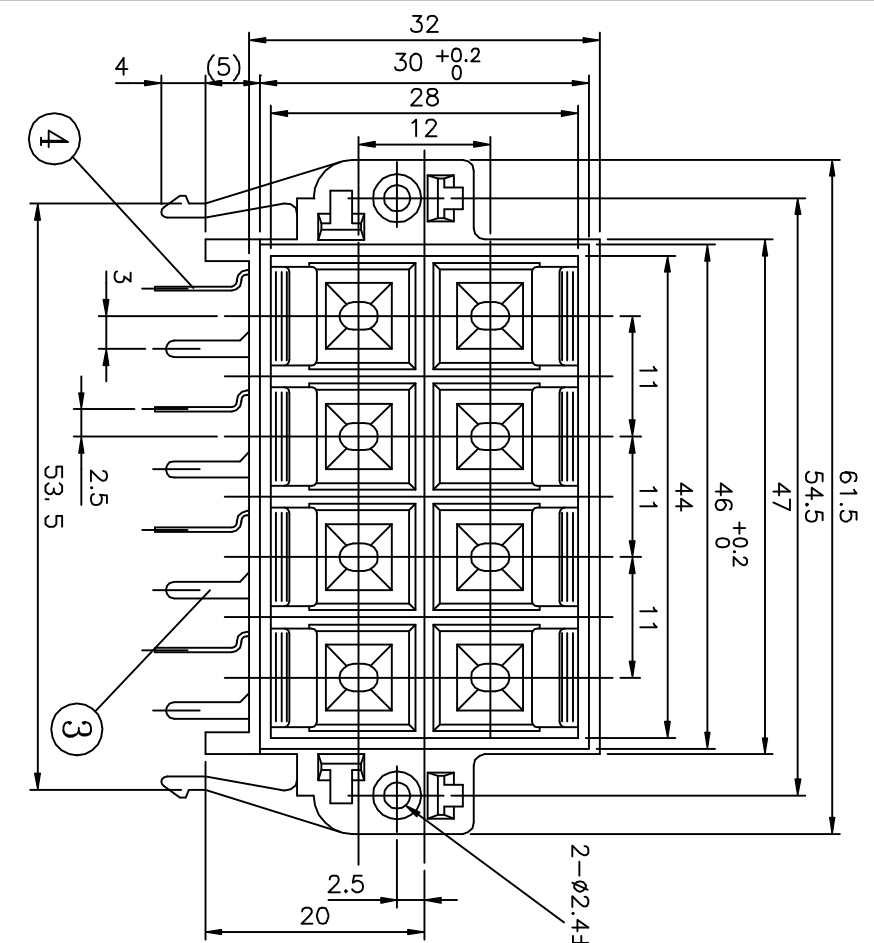
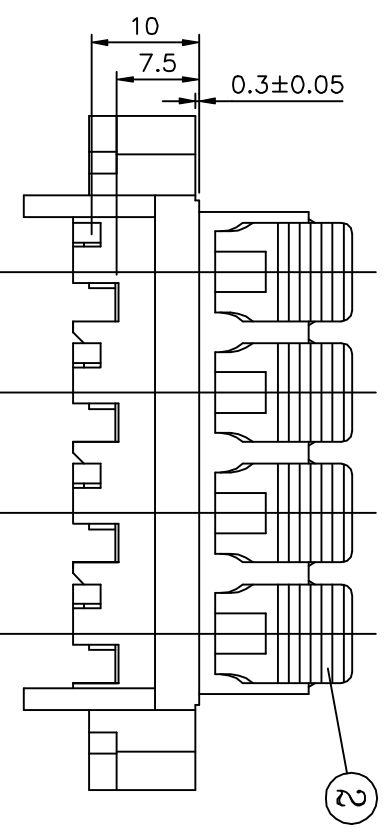


REVISIONS			
LTR	DESCRIPTION	DATE	REVISED
			APPROVED



RECOMMENDED PANEL HOLE LAYOUT
(TOLERANCE ±0.1 SCALE 1=1)
(SURFACE-SIDE VIEW)

RECOMMENDED P.C.B HOLE LAYOUT
(TOLERANCE ±0.1) (PRINTED-SIDE VIEW)



4	CONTACT SPRING	4	C5191R-EH ±0.3	Pd-Sn PLATED
3	CONTACT SPRING	4	C5191R-EH ±0.3	Pd-Sn PLATED
2	PUSH PLATE	8	POM RESIN	94HB
1	HOUSING	1	ABS RESIN(BLACK)	94HB
LTR	PART NAME	QTY	MATERIAL(THICK,COLOR)	REMARK
DWN	BROCKEN	DATE	'94-10-03	SCALE 2/1
DSND	DATE	3RD ANGLE		
CHKD	DATE	PROJECTION		
APVD	DATE	UNIT: mm		

NAME PUSH TERMINAL BOARD

CAT. NO. HSP-328V

SINGATRON ENTERPRISE CO., LTD. (U.S.A.)

DWN. NO. A-328V

UNLESS OTHERWISE SPECIFIED, TOLERANCE ON DECIMAL: ±0.3 FRACTIONS: ANGLES: