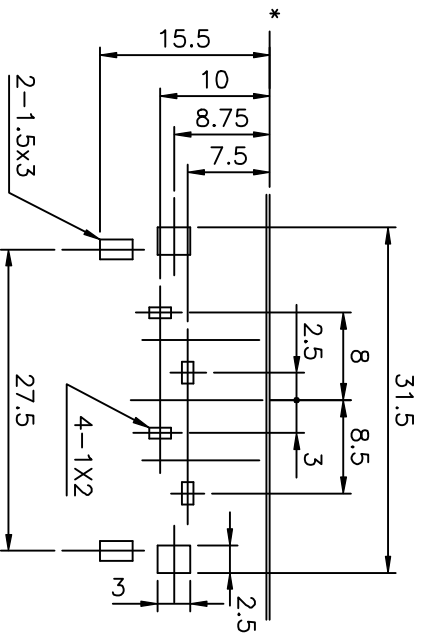
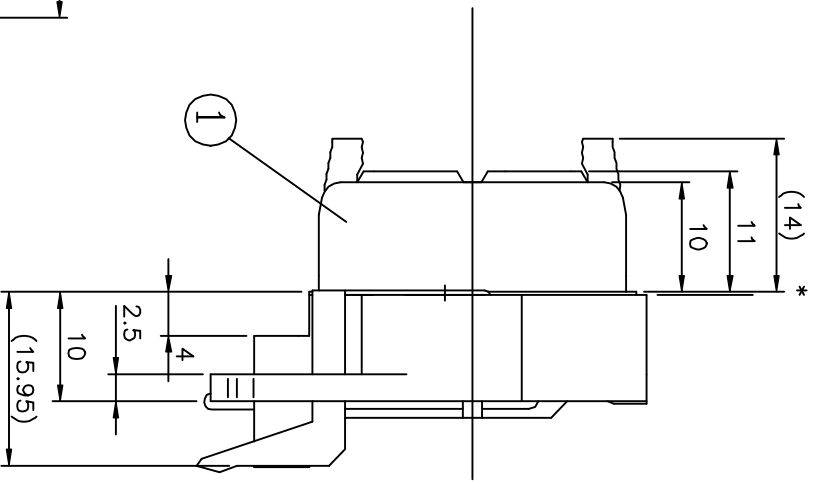
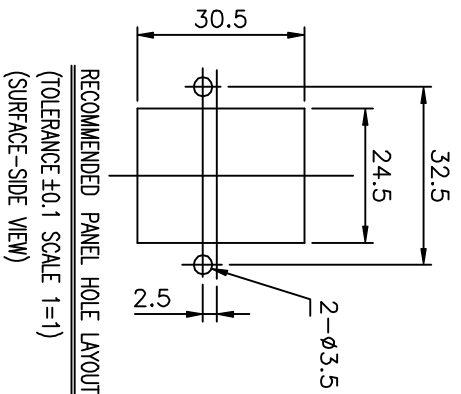
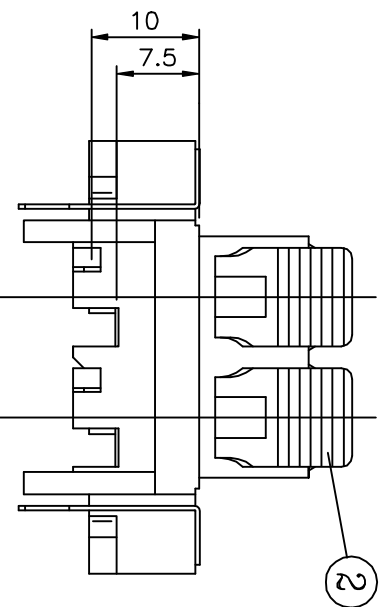
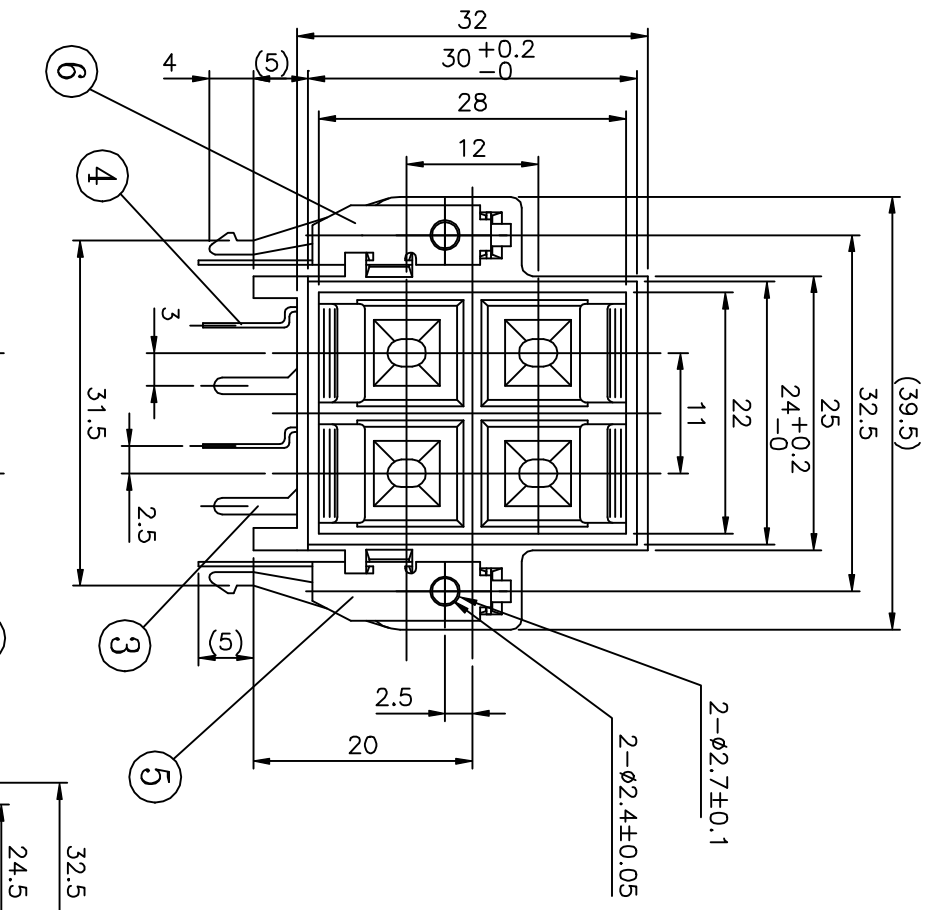


REVISIONS				
LTR	DESCRIPTION	DATE	REVISED	APPROVED



RECOMMENDED PCB HOLE LAYOUT
(TOLERANCE ±0.1) (PRINTED-SIDE VIEW)

6	EARTH CONTACT (L)	1	C2680R-1/2Ht=0.4	Pb-Sn PLATED	
5	EARTH CONTACT (R)	1	C2680R-1/2Ht=0.4	Pb-Sn PLATED	
4	CONTACT SPRING	2	C5191R-EH t=0.3	Pb-Sn PLATED	
3	CONTACT SPRING	2	C5191R-EH t=0.3	Pb-Sn PLATED	
2	PUSH PLATE	4	POM		
1	HOUSING	1	ABS (BLACK)		
LTR	PART NAME	QTY	MATERIAL (THICK, COLOR)	REMARK	
DSND	KEVIN KUNG	DATE	1993.09.24	SCALE 2/1	NAME
DWN		DATE		3RD ANGLE PROJECTION	PUSH TERMINAL BOARD
CHKD		DATE		UNIT: mm	CAT. NO.
APVD		DATE			HSP-324V1

UNLESS OTHERWISE SPECIFIED, TOLERANCE ON DECIMAL: ±0.3 FRACTIONS: ANGLES:

SINGATRON ENTERPRISE CO., LTD. (U.S.A.) DWN. NO. A-324V1