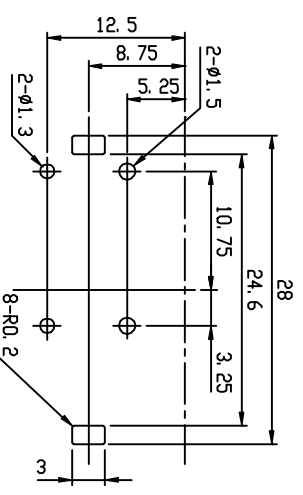
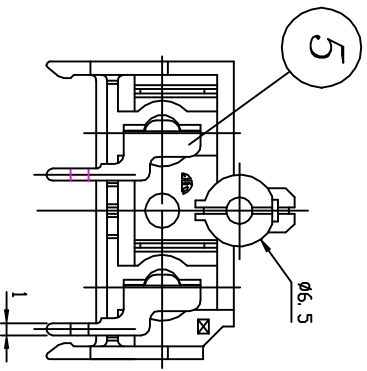
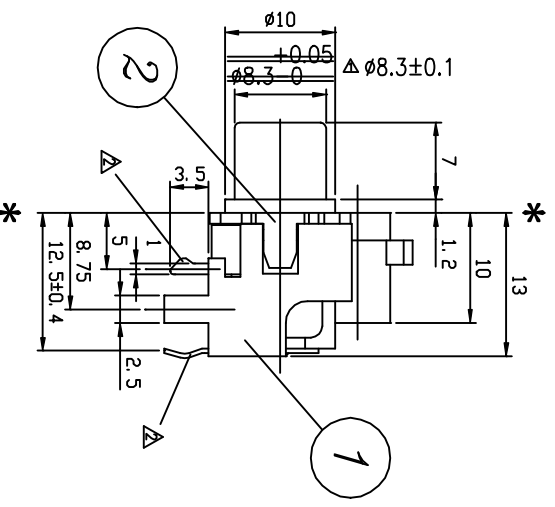
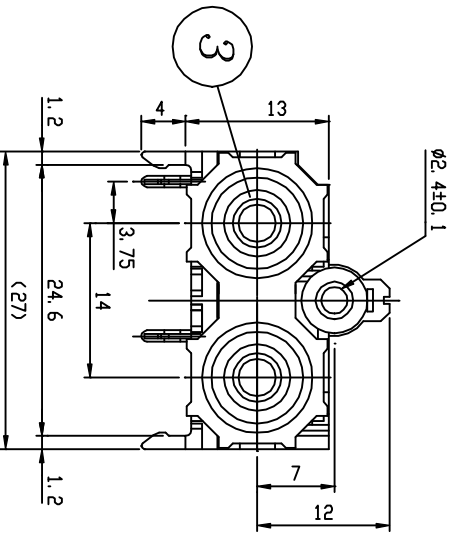
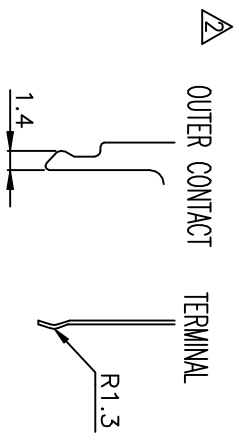
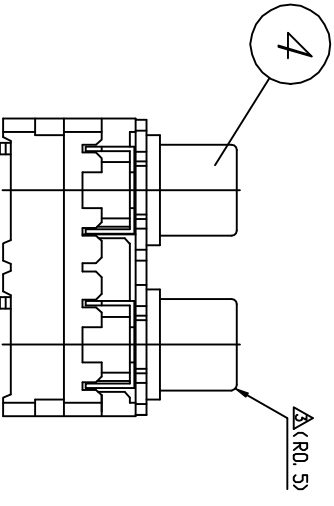


REVISIONS				
LTR	DESCRIPTION	DATE	REVISED	APPROVED
Δ x1			H. P. Liu	C. H. Chang
Δ x2			H. Y. Chou	Kung
Δ x1			H. Y. Chou	Kung



PCB HOLE LAYOUT (TOLERANCE: ±0.1)
BOTTOM VIEW



LTR	PART NAME	QTY	MATERIAL	REMARK
5	TERMINAL	3	C2680 , ±0.4	MB : Cu Sn/Pb PLATED
4	OUTER CONTACT	3	C2680 , ±0.4	MB : Cu Ni PLATED
3	WASHER	2	ABS , UL - 94HB	
2	COVER	1	ABS , UL - 94HB	
1	HOUSING	1	ABS , UL - 94HB	

DSND	W.S.Lo	DATE	1995.01.27	SCALE	2 / 1	NAME
DWN	H.Y.CHOU	DATE	1997.11.07	3RD ANGLE		PIN JACK
CHKD	C.H.CHANG	DATE	1997.11.07	PROJECTION		CAT. NO.
APVD		DATE		UNIT: mm		hsp-252v-

UNLESS OTHERWISE SPECIFIED, TOLERANCE ON DECIMAL: ±0.3 FRACTIONS: ANGLES:

SINGATRON ENTERPRISE CO., LTD. (U.S.A.)

DWN.NO. A-252V 001

