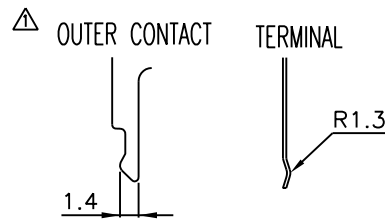
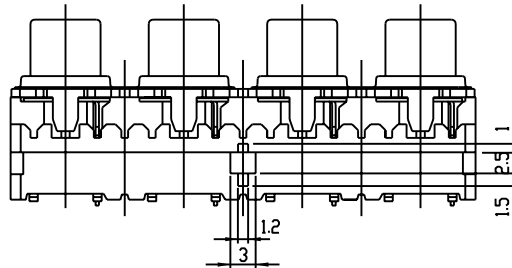
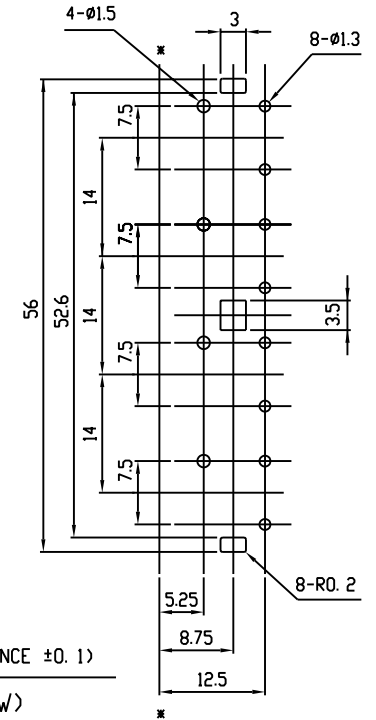
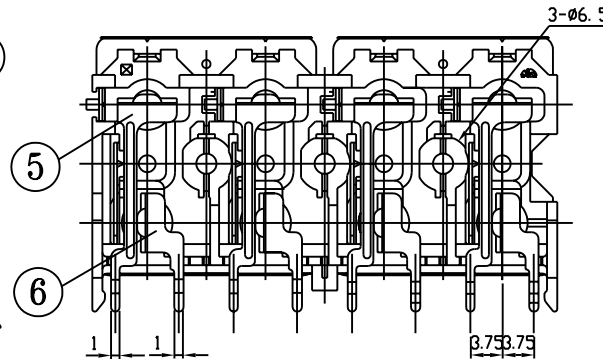
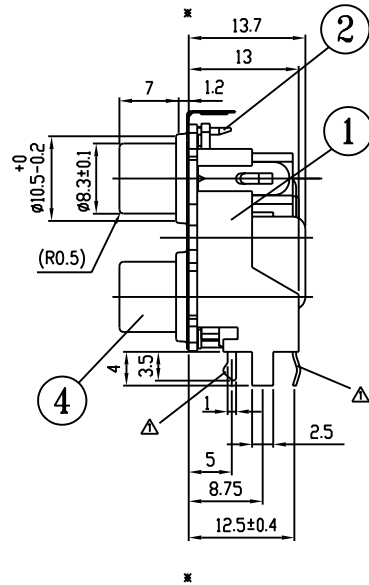
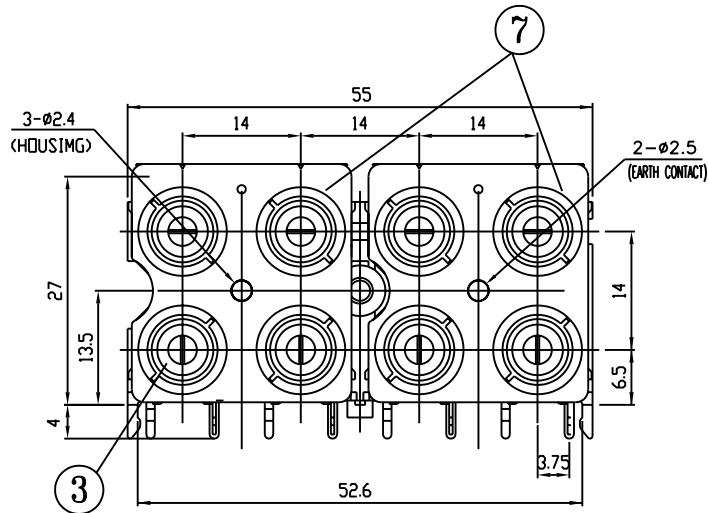


REVISIONS				
LTR	DESCRIPTION	DATE	REVISED	APPROVED
△ x2			H.Y.Chou	



HOLE LAYOUT (TOLERANCE ±0.1)  
(BOTTOM VIEW)

7	EARTH CONTACT	2	C2680 , t=0.2	NB : Cu Sn/Pb PLATED
6	TERMINAL	4	C2680 , t=0.4	NB : Cu Sn/Pb PLATED
5	TERMINAL	4	C2680 , t=0.4	NB : Cu Sn/Pb PLATED
4	OUTER CONTACT	4	C2680 , t=0.4	NB : Cu NI PLATED
3	WASHER	4	ABS , UL-94HB	
2	COVER	2	ABS , UL-94HB	
1	HOUSING	1	ABS , UL-94HB	

LTR	PART NAME	QTY	MATERIAL	REMARK
DSND	J.S.TSENG	DATE	1995.01.18	SCALE 1/1 NAME PIN JACK
DWN	H.Y.CHOU	DATE	1997.12.16	
CHKD		DATE		3RD ANGLE PROJECTION CAT. NO. HSP-248V13-____
APVD		DATE		
SINGATRON (USA)				DWN.NO. A-248V13
				001

UNLESS OTHERWISE SPECIFIED, TOLERANCE ON DECIMAL: ±0.3 FRACTIONS:

ANGLES: