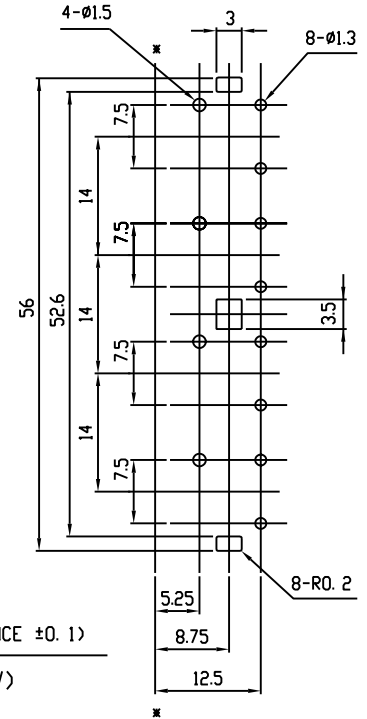
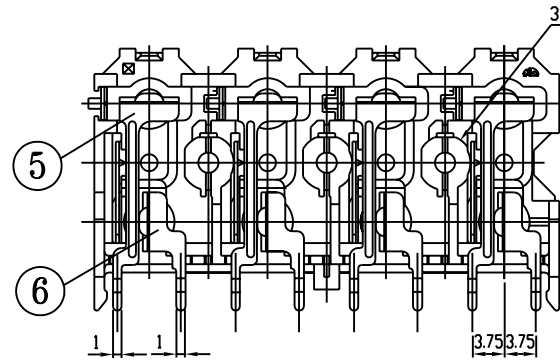
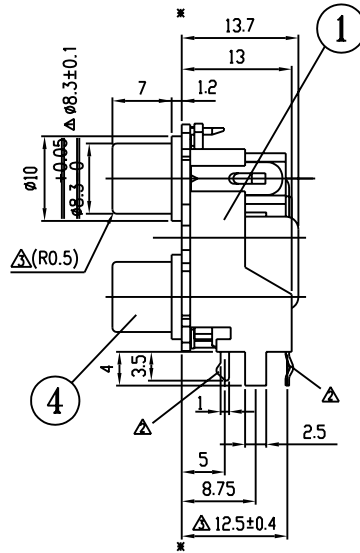
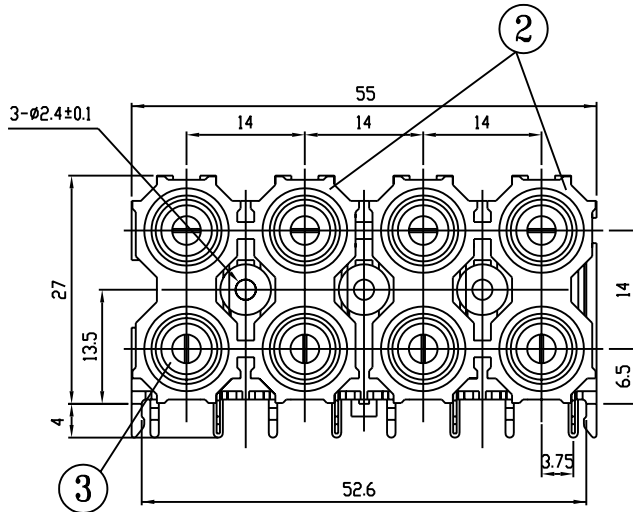
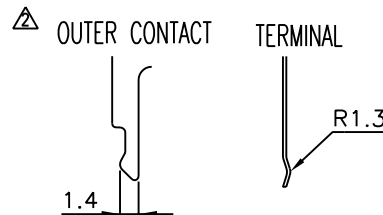
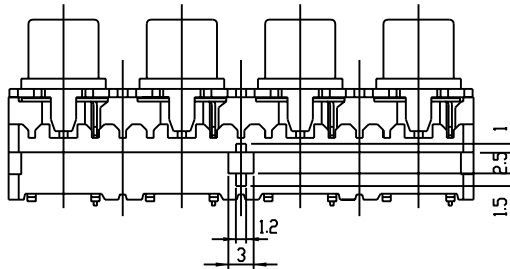


REVISIONS				
LTR	DESCRIPTION	DATE	REVISED	APPROVED
△ x1			H.P.Liu	C.H.Chang
△ x2			H.Y.Chou	Kung
△ x2	(R0.5), 12.5±1 → 12.5±0.4		H.Y.Chou	Kung
△ x3			Alex	Kung



HOLE LAYOUT (TOLERANCE ±0.1)
(BOTTOM VIEW)



6	TERMINAL	4	C2680 , t=0.4	NB : Cu Sn/Pb PLATED
5	TERMINAL	4	C2680 , t=0.4	NB : Cu Sn/Pb PLATED
4	OUTER CONTACT	4	C2680 , t=0.4	NB : Cu NI PLATED
3	WASHER	4	ABS , UL-94HB ∆ UL-94HB	
2	COVER	2	ABS , UL-94HB ∆ UL-94HB	
1	HOUSING	1	ABS , UL-94HB ∆ UL-94HB	

LTR	PART NAME	QTY	MATERIAL (THICK, COLOR)	REMARK
DSND	C.W.FENG	DATE	1994.07.07	NAME PIN JACK CAT. NO. HSP-248V-____ DWN.NO. A-248V
DWN	SHIAH	DATE	1994.09.17	
CHKD	KUNG	DATE	2000.06.20	
APVD		DATE		
SINGATRON (USA)				UNIT: mm

UNLESS OTHERWISE SPECIFIED, TOLERANCE ON DECIMAL: ±0.3 FRACTIONS:

ANGLES:

002