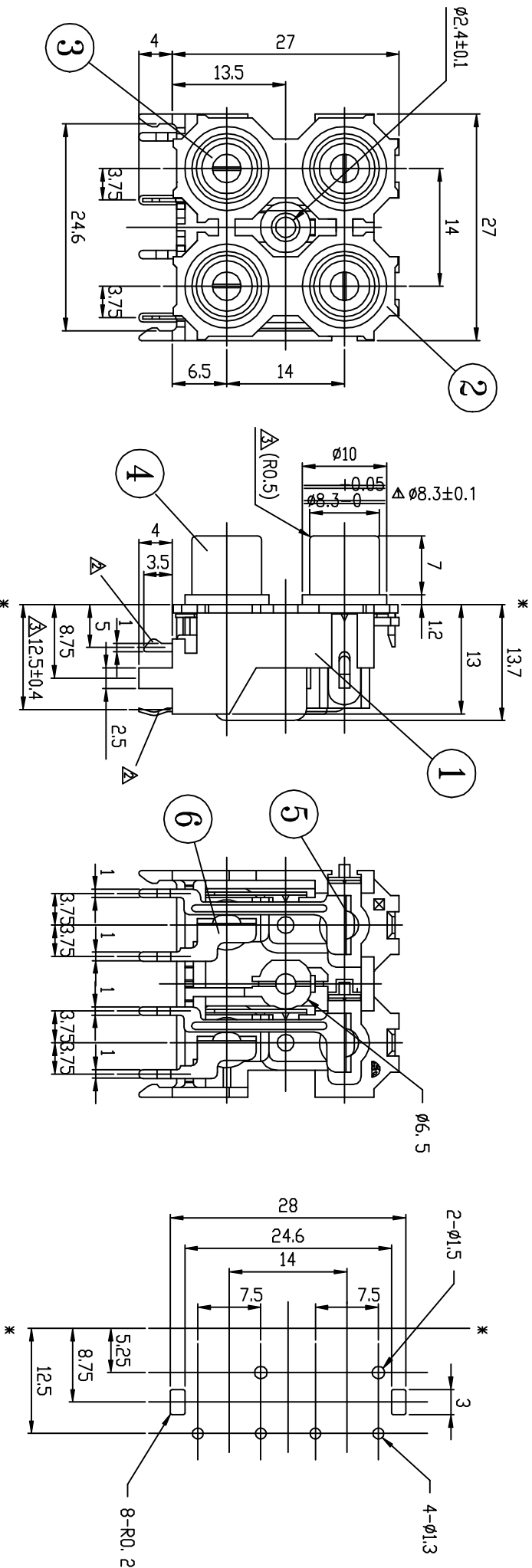
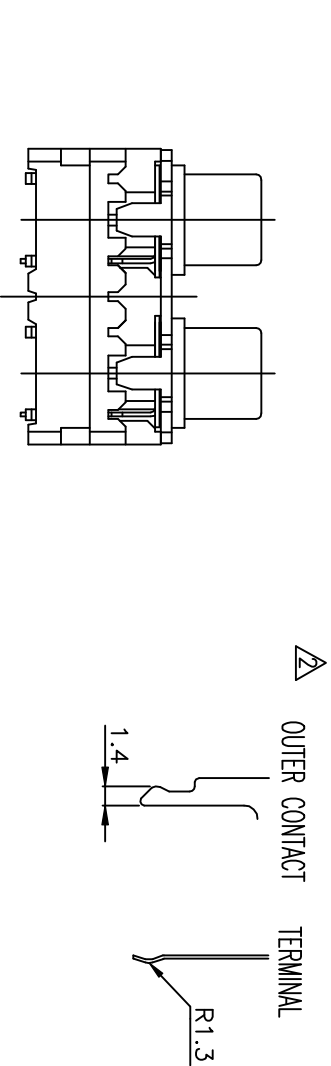


| REVISIONS | | | | |
|-----------|-------------|-----------------|----------|-----------|
| LTR | DESCRIPTION | DATE | REVISED | APPROVED |
| Δ x1 | | | H.P.Liu | C.H.Chang |
| Δ x2 | | | H.Y.Chou | Kung |
| Δ x2 | (R0.5), | 12.5E1-12.5E0.4 | H.Y.Chou | |



HOLE LAYOUT (TOLERANCE ±0.1)
(BOTTOM VIEW)



| | | | | | |
|--|---------------|------|---------------|----------------------|--------------------|
| 6 | TERMINAL | 2 | C2680 , t=0.4 | MB : Cu Sn/Pb | PLATED |
| 5 | TERMINAL | 2 | C2680 , t=0.4 | MB : Cu Sn/Pb | PLATED |
| 4 | OUTER CONTACT | 2 | C2680 , t=0.4 | MB : Cu Ni | PLATED |
| 3 | WASHER | 2 | ABS , UL-94HB | | |
| 2 | COVER | 1 | ABS , UL-94HB | | |
| 1 | HOUSING | 1 | ABS , UL-94HB | | |
| LTR | PART NAME | QTY | MATERIAL | REMARK | |
| DSND | Y.H.KUNG | DATE | 1994.09.17 | SCALE | 2/1 |
| DWN | H.Y.CHOU | DATE | 1997.11.07 | NAME | PIN JACK |
| CHKD | | DATE | | 3RD ANGLE PROJECTION | CAT. NO. HSP-244V- |
| APVD | | DATE | | UNIT: mm | |
| SINGATRON ENTERPRISE CO., LTD. (U.S.A) | | | | DWN.NO. | A-244V |
| | | | | | 002 |

UNLESS OTHERWISE SPECIFIED, TOLERANCE ON DECIMAL: ±0.3 FRACTIONS: ANGLES:

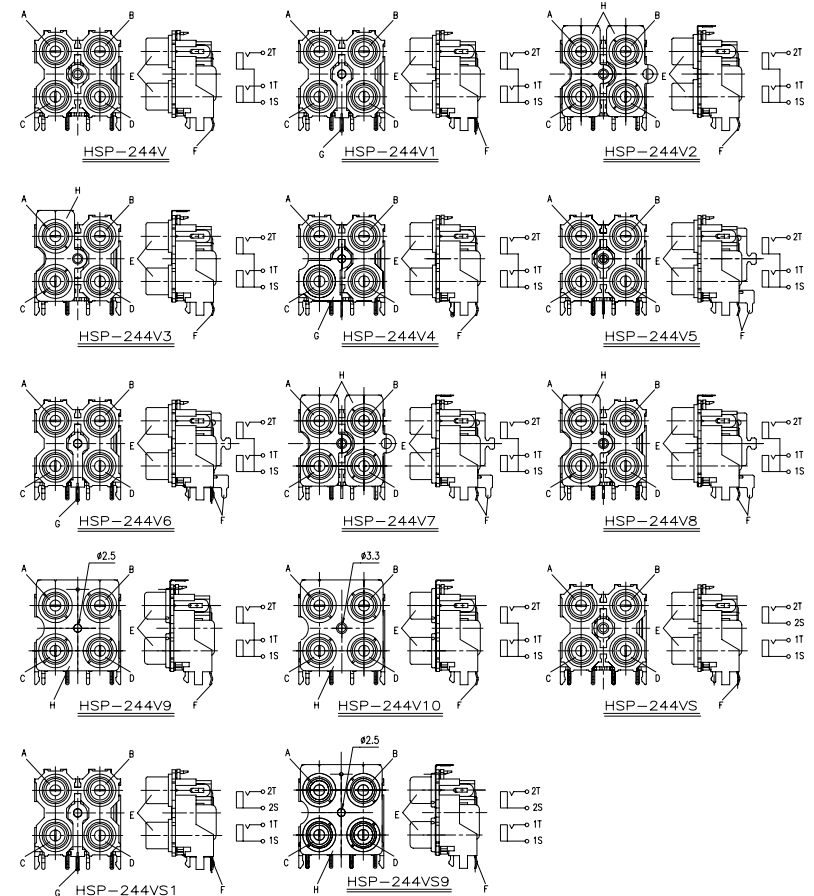
| MODEL NO. | COLOR | | | | FINISH | | | |
|----------------|--------|------------|--------|--------|---------|-------|-------|------|
| | A | B(HOUSING) | C | D | E | F | G | H |
| HSP-244_SREIES | | | | | | | | |
| HSP-244_-01_ | WHITE | WHITE | RED | RED | NI | PB-SN | PB-SN | NI |
| HSP-244_-02_ | BLACK | BLACK | BLACK | BLACK | NI | PB-SN | PB-SN | NI |
| HSP-244_-03_ | WHITE | WHITE | RED | RED | AU | PB-SN | PB-SN | NI |
| HSP-244_-04_ | BLACK | BLACK | RED | RED | NI | PB-SN | PB-SN | NI |
| HSP-244_-05_ | RED | RED | WHITE | WHITE | NI | PB-SN | PB-SN | NI |
| HSP-244_-06_ | RED | RED | WHITE | WHITE | AU | PB-SN | PB-SN | NI |
| HSP-244_-07_ | RED | RED | WHITE | WHITE | AU | AU** | PB-SN | NI |
| HSP-244_-08_ | YELLOW | YELLOW | RED | WHITE | NI | PB-SN | PB-SN | NI |
| HSP-244_-09_ | RED | WHITE | RED | WHITE | NI | PB-SN | PB-SN | NI |
| HSP-244_-10_ | WHITE | YELLOW | RED | YELLOW | NI | PB-SN | PB-SN | NI |
| HSP-244_-11_ | WHITE | RED | WHITE | RED | NI | PB-SN | PB-SN | NI |
| HSP-244_-12_ | YELLOW | WHITE | YELLOW | WHITE | NI | PB-SN | PB-SN | NI |
| HSP-244_-13_ | YELLOW | YELLOW | YELLOW | YELLOW | NI | PB-SN | PB-SN | NI |
| HSP-244_-14_ | YELLOW | BLACK | WHITE | RED | NI | PB-SN | PB-SN | NI |
| HSP-244_-15_ | WHITE | YELLOW | WHITE | YELLOW | NI | PB-SN | PB-SN | NI |
| HSP-244_-16_ | WHITE | WHITE | RED | RED | AU | AU** | PB-SN | NI |
| HSP-244_-17_ | BLACK | BLACK | BLACK | BLACK | AU | PB-SN | PB-SN | NI |
| HSP-244_-18_ | BLACK | BLACK | BLACK | BLACK | AU | AU** | PB-SN | NI |
| HSP-244_-19_ | BLACK | BLACK | BLACK | BLACK | AU | AU** | AU** | AU** |
| HSP-244_-20_ | RED | WHITE | YELLOW | BLACK | NI | PB-SN | PB-SN | NI |
| HSP-244_-21_ | WHITE | BLACK | RED | BLACK | NI | PB-SN | PB-SN | NI |
| HSP-244_-22_ | RED | BLACK | WHITE | BLACK | NI | PB-SN | PB-SN | NI |
| HSP-244_-23_ | RED | RED | WHITE | WHITE | L-PB-SN | PB-SN | PB-SN | NI |
| HSP-244_-24_ | WHITE | BLACK | RED | ORANGE | L-PB-SN | PB-SN | PB-SN | NI |
| HSP-244_-25_ | WHITE | RED | BLACK | BLACK | NI | PB-SN | PB-SN | NI |
| HSP-244_-26_ | BLACK | RED | BLACK | WHITE | NI | PB-SN | PB-SN | NI |
| HSP-244_-27_ | RED | BLACK | WHITE | BLACK | L-PB-SN | PB-SN | PB-SN | NI |
| HSP-244_-28_ | RED | BLACK | WHITE | ORANGE | L-PB-SN | PB-SN | PB-SN | NI |
| HSP-244_-29_ | WHITE | WHITE | RED | RED | L-PB-SN | PB-SN | PB-SN | NI |

Plating :

PB-SN : MBCu2-PbSn3
L-PB-SN : MBCu2-L-PbSn3

NI : MBCu1-Ni1.5
AU : MBNi4-Au0.03

NI+DIP : MBCu1-Ni1.5
AU** : MBNi2-Au0.05



| | | | | |
|-------------|---------|-------------|------------|---|
| DWN | SIMON | DATE | 2004.03.14 | NAME: HSP-244 SERIES PARTS NO. TABLE |
| UPD | SIMON | DATE | 2004.03.14 | |
| CHKD | JOHNSON | DATE | 2004.03.15 | |

| | | | | |
|-------------------------|--|--|--------------------------|-----|
| SINGATRON U.S.A. | | | DWN. NO. E-244 | 1/4 |
| | | | | F |

| MODEL NO. | COLOR | | | | FINISH | | | |
|----------------|--------|------------|--------|--------|---------|-------|-------|------|
| | A | B(HOUSING) | C | D | E | F | G | H |
| HSP-244_SREIES | | | | | | | | |
| HSP-244_-30_ | BLUE | GREEN | RED | BROWN | NI | PB-SN | PB-SN | NI |
| HSP-244_-31_ | BLUE | BLUE | RED | RED | NI | PB-SN | PB-SN | NI |
| HSP-244_-32_ | WHITE | GREEN | RED | BROWN | NI | PB-SN | PB-SN | NI |
| HSP-244_-33_ | YELLOW | WHITE | YELLOW | RED | NI | PB-SN | PB-SN | NI |
| HSP-244_-34_ | WHITE | HOAR | RED | BROWN | NI | PB-SN | PB-SN | NI |
| HSP-244_-35_ | WHITE | BLACK | RED | YELLOW | NI | PB-SN | PB-SN | NI |
| HSP-244_-36_ | RED | ORANGE | WHITE | BLACK | L-PB-SN | PB-SN | PB-SN | NI |
| HSP-244_-37_ | RED | WHITE | RED | WHITE | L-PB-SN | PB-SN | PB-SN | NI |
| HSP-244_-38_ | BLACK | BLACK | BLACK | BLACK | L-PB-SN | PB-SN | PB-SN | NI |
| HSP-244_-39_ | WHITE | BLACK | RED | BLACK | L-PB-SN | PB-SN | PB-SN | NI |
| HSP-244_-40_ | WHITE | BLACK | RED | BLACK | AU | PB-SN | PB-SN | NI |
| HSP-244_-41_ | YELLOW | YELLOW | BLACK | BLACK | AU | PB-SN | PB-SN | NI |
| HSP-244_-42_ | RED | RED | WHITE | WHITE | NI+DIP | PB-SN | PB-SN | NI |
| HSP-244_-43_ | WHITE | WHITE | RED | RED | NI+DIP | PB-SN | PB-SN | NI |
| HSP-244_-44_ | WHITE | BLACK | RED | BLACK | NI+DIP | PB-SN | PB-SN | NI |
| HSP-244_-45_ | RED | WHITE | RED | WHITE | NI+DIP | PB-SN | PB-SN | NI |
| HSP-244_-46_ | WHITE | RED | WHITE | RED | NI+DIP | PB-SN | PB-SN | NI |
| HSP-244_-47_ | WHITE | YELLOW | RED | ORANGE | NI | PB-SN | PB-SN | NI |
| HSP-244_-48_ | YELLOW | RED | YELLOW | WHITE | NI | PB-SN | PB-SN | NI |
| HSP-244_-49_ | WHITE | HOAR | RED | BLACK | NI | PB-SN | PB-SN | NI |
| HSP-244_-50_ | WHITE | HOAR | RED | BLACK | AU | PB-SN | PB-SN | NI |
| HSP-244_-51_ | ORANGE | ORANGE | ORANGE | ORANGE | AU | AU** | AU** | NI |
| HSP-244_-52_ | RED | WHITE | BLACK | ORANGE | L-PB-SN | PB-SN | PB-SN | NI |
| HSP-244_-53_ | BLACK | BLACK | RED | WHITE | L-PB-SN | PB-SN | PB-SN | NI |
| HSP-244_-54_ | BLACK | WHITE | BLACK | RED | NI | PB-SN | PB-SN | NI |
| HSP-244_-55_ | ORANGE | WHITE | BLACK | RED | NI | PB-SN | PB-SN | NI |
| HSP-244_-56_ | HOAR | YELLOW | BROWN | YELLOW | AU | PB-SN | PB-SN | NI |
| HSP-244_-57_ | RED | WHITE | RED | WHITE | AU | PB-SN | PB-SN | NI |
| HSP-244_-58_ | RED | WHITE | RED | WHITE | AU | PB-SN | PB-SN | AU** |
| HSP-244_-59_ | RED | ORANGE | WHITE | YELLOW | NI | PB-SN | PB-SN | NI |

Plating :

PB-SN : MBCu2-PbSn3

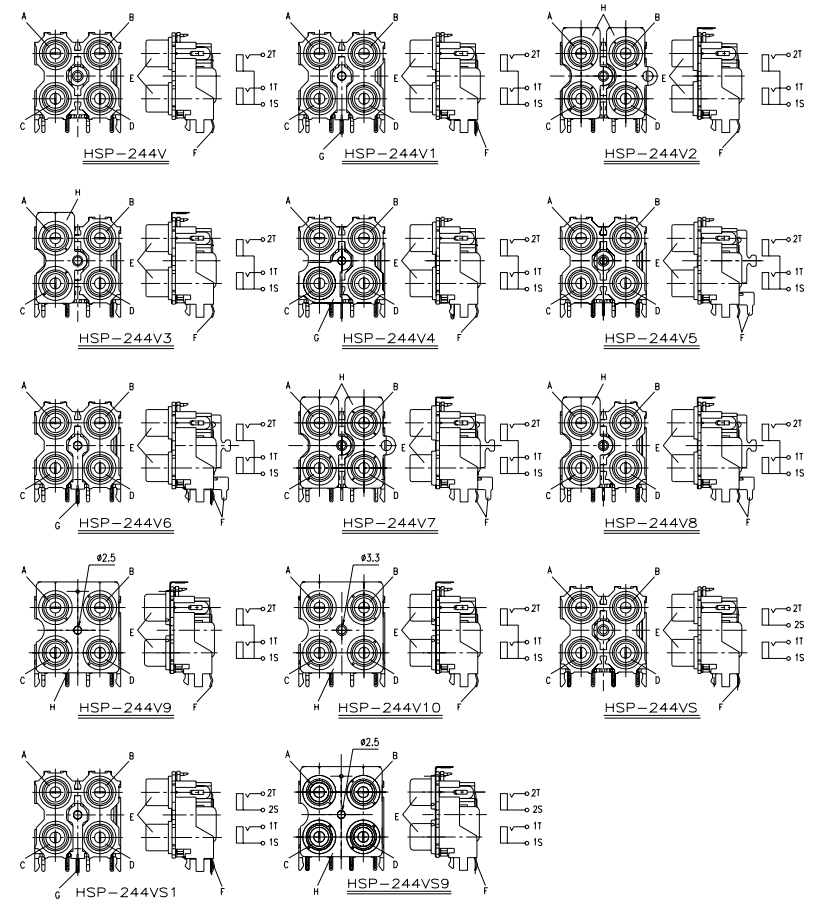
NI : MBCu1-Ni1.5

NI+DIP : MBCu1-Ni1.5

L-PB-SN : MBCu2-L-PbSn3

AU : MBNi4-Au0.03

AU** : MBNi2-Au0.05



| | | | | | |
|-------------------------|---------|-------------|------------|--|-----|
| DWN | SIMON | DATE | 2004.03.14 | NAME: HSP-244 SERIES PARTS NO. TABLE | |
| UPD | SIMON | DATE | 2004.03.14 | | |
| CHKD | JOHNSON | DATE | 2004.03.15 | | |
| SINGATRON U.S.A. | | | | DWN. NO. E-244 | 2/4 |
| | | | | | F |

| MODEL NO. HSP-244 SREIES | COLOR | | | | FINISH | | | |
|--------------------------------|--------|------------|-------------|-------------|--------|-------|-------|------|
| | A | B(HOUSING) | C | D | E | F | G | H |
| HSP-244_-60_ | RED | RED | SNOWY WHITE | SNOWY WHITE | NI | PB-SN | PB-SN | NI |
| HSP-244_-61_ | BLACK | BLACK | BLACK | BLACK | NI+DIP | PB-SN | PB-SN | NI |
| HSP-244_-62_ | ORANGE | WHITE | YELLOW | RED | NI | PB-SN | PB-SN | NI |
| HSP-244_-63_ | BLACK | WHITE | YELLOW | RED | NI | PB-SN | PB-SN | NI |
| HSP-244_-64_ | YELLOW | BLUE | GREEN | RED | NI | PB-SN | PB-SN | NI |
| HSP-244_-65_ | BLACK | BLACK | WHITE | RED | NI | PB-SN | PB-SN | NI |
| HSP-244_-66_ | YELLOW | YELLOW | YELLOW | YELLOW | AU | PB-SN | PB-SN | NI |
| HSP-244_-67_ | WHITE | RED | BLUE | RED | AU | PB-SN | PB-SN | NI |
| HSP-244_-68_ | RED | RED | BLACK | BLACK | AU | PB-SN | PB-SN | NI |
| HSP-244_-69_ | ORANGE | RED | BLACK | WHITE | NI | PB-SN | PB-SN | NI |
| HSP-244_-70_ | YELLOW | YELLOW | WHITE | RED | NI | PB-SN | PB-SN | NI |
| HSP-244_-71_ | GREEN | BLUE | YELLOW | RED | NI | PB-SN | PB-SN | NI |
| HSP-244_-72_ | WHITE | WHITE | RED | RED | NI | AU** | PB-SN | NI |
| HSP-244_-73_ | BLACK | BLACK | BLACK | BLACK | NI | AU** | PB-SN | NI |
| HSP-244_-74_ | RED | RED | YELLOW | YELLOW | NI | PB-SN | PB-SN | NI |
| HSP-244_-75_ | WHITE | WHITE | WHITE | WHITE | NI | PB-SN | PB-SN | NI |
| HSP-244_-76_ | WHITE | WHITE | YELLOW | YELLOW | NI | PB-SN | PB-SN | NI |
| HSP-244_-77_ | WHITE | RED | WHITE | RED | AU | PB-SN | PB-SN | NI |
| HSP-244_-78_ | YELLOW | BLACK | RED | WHITE | NI | PB-SN | PB-SN | NI |
| HSP-244_-79_ | GREEN | RED | YELLOW | BLUE | AU | PB-SN | PB-SN | NI |
| HSP-244_-80_ | RED | RED | WHITE | WHITE | AU | AU** | AU** | AU** |
| HSP-244_-81_ | WHITE | WHITE | RED | RED | AU | AU** | AU** | AU** |
| HSP-244_-82_ | YELLOW | YELLOW | WHITE | WHITE | NI | PB-SN | PB-SN | NI |
| HSP-244_-83_ | YELLOW | YELLOW | WHITE | WHITE | AU | PB-SN | PB-SN | NI |
| HSP-244_-84_ | YELLOW | BLUE | GREEN | RED | AU | PB-SN | PB-SN | NI |
| HSP-244_-85_ | RED | BLACK | WHITE | HOAR | AU | PB-SN | PB-SN | NI |
| HSP-244_-86_ | GREEN | BLUE | PURPLE | HOAR | NI | PB-SN | PB-SN | NI |
| HSP-244_-87_ | BLUE | WHITE | RED | YELLOW | NI | PB-SN | PB-SN | NI |

Plating :

PB-SN : MBCu2-PbSn3

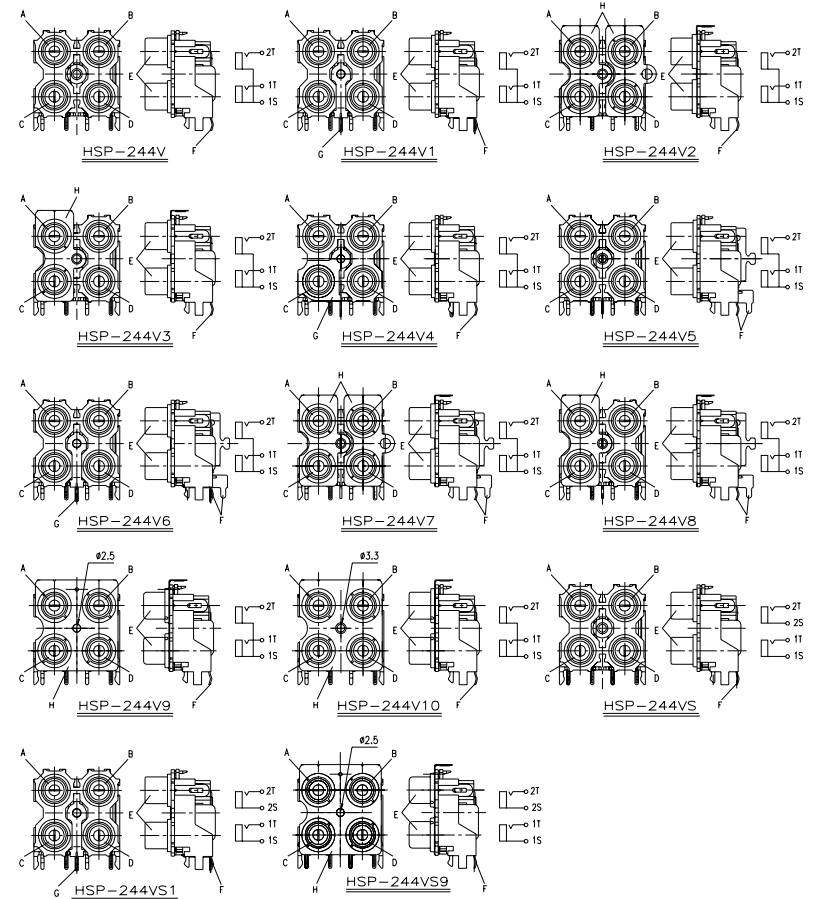
NI : MBCu1-Ni1.5

NI+DIP : MBCu1-Ni1.5

L-PB-SN : MBCu2-L-PbSn3

AU : MBNi4-Au0.03

AU** : MBNi2-Au0.05



| | | | | | |
|-------------------------|---------|-------------|------------|--|----------|
| DWN | SIMON | DATE | 2004.03.14 | NAME: HSP-244 SERIES PARTS NO. TABLE | |
| UPD | SIMON | DATE | 2004.03.14 | | |
| CHKD | JOHNSON | DATE | 2004.03.15 | | |
| SINGATRON U.S.A. | | | | DWN. NO. E-244 | 3/4 F |

