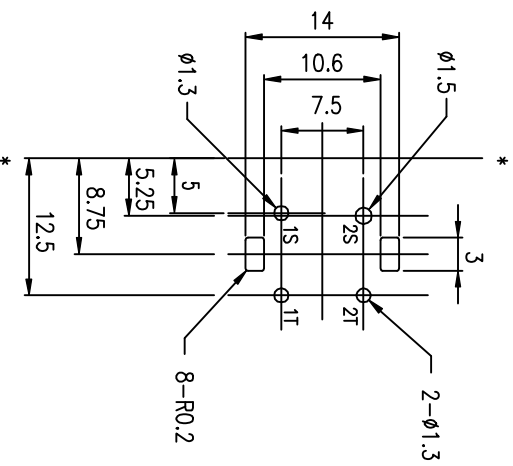
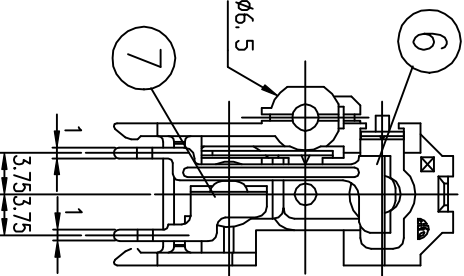
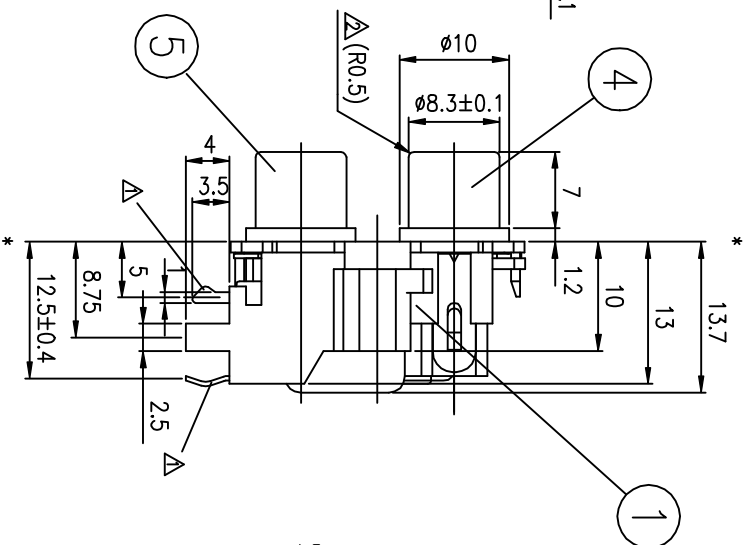
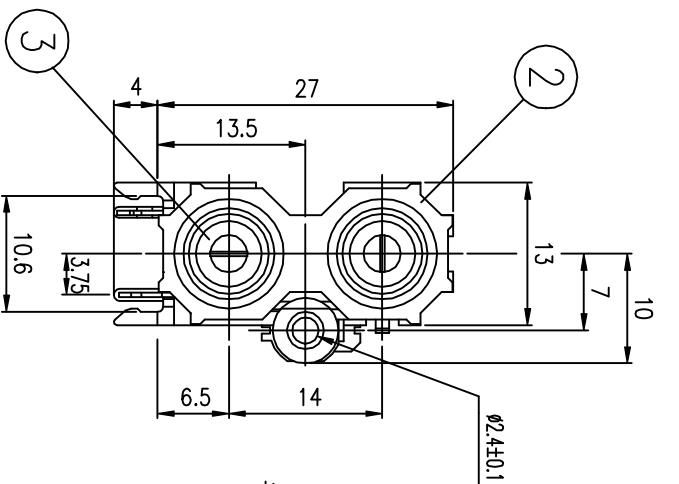
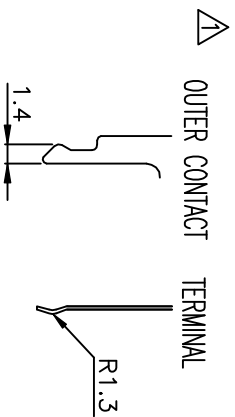
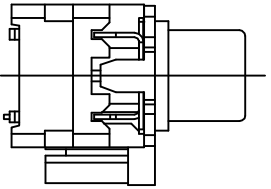
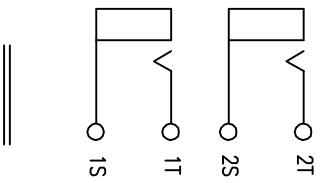


REVISIONS			
LTR	DESCRIPTION	DATE	REVISED
Δ x2			H.Y.Chou
Δ x1			H.Y.Chou



HOLE LAYOUT (TOLERANCE ±0.1)
(BOTTOM VIEW)

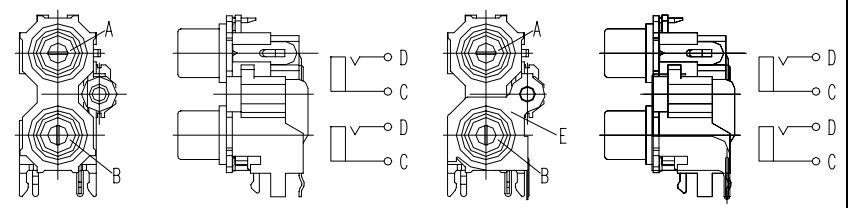


7	TERMINAL	1	C2680 , t=0.4	MB : Cu	Sn/Pb	PLATED
6	TERMINAL	1	C2680 , t=0.4	MB : Cu	Sn/Pb	PLATED
5	OUTER CONTACT	1	C2680 , t=0.4	MB : Cu	Ni	PLATED
4	OUTER CONTACT	1	C2680 , t=0.4	MB : Cu	Ni	PLATED
3	WASHER	1	ABS , UL-94HB			
2	COVER	1	ABS , UL-94HB			
1	HOUSING	1	ABS , UL-94HB			
LTR	PART NAME	QTY	MATERIAL	REMARK		
DSND	Y.H.KUNG	DATE	1994.09.17	SCALE	2/1	
DWN	H.Y.Chou	DATE	1997.11.07	3RD ANGLE PROJECTION	PIN JACK	
CHKD		DATE		UNIT: mm	CAT. NO. HSP-242VS-	
APVD		DATE			DWN.NO. A-242VS	
SINGATRON ENTERPRISE CO., LTD. (U.S.A.)					001	

UNLESS OTHERWISE SPECIFIED, TOLERANCE ON DECIMAL: ±0.3 FRACTIONS:

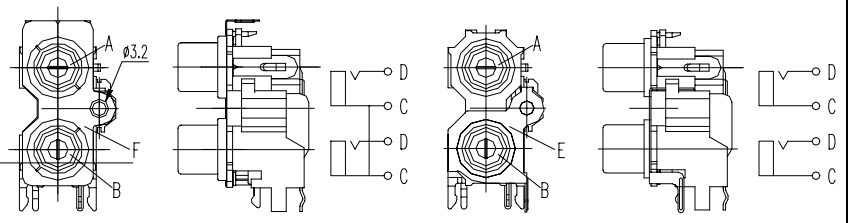
ANGLES:

MODEL NO.	COLOR	FINISH				COVER OF COLOR
		C	D	E	F	
HSP-242 SERIES	A(HOUSING)	C	D	E	F	BLACK
	B					
HSP-242_01	WHITE	NI	PB-SN	PB-SN	NI	BLACK
	RED					
HSP-242_02	BLACK	NI	PB-SN	PB-SN	NI	BLACK
	BLACK					
HSP-242_03	WHITE	AU	PB-SN	PB-SN	NI	BLACK
	RED					
HSP-242_04	BLACK	NI	PB-SN	PB-SN	NI	BLACK
	RED					
HSP-242_05	RED	NI	PB-SN	PB-SN	NI	BLACK
	WHITE					
HSP-242_06	RED	AU	PB-SN	PB-SN	NI	BLACK
	WHITE					
HSP-242_07	RED	AU	AU**	PB-SN	NI	BLACK
	WHITE					
HSP-242_08	RED	NI	PB-SN	PB-SN	NI	BLACK
	RED					
HSP-242_09	YELLOW	NI	PB-SN	PB-SN	NI	BLACK
	YELLOW					
HSP-242_10	WHITE	NI	PB-SN	PB-SN	NI	BLACK
	WHITE					
HSP-242_11	GREEN	NI	PB-SN	PB-SN	NI	BLACK
	GREEN					
HSP-242_12	BLACK	AU	PB-SN	PB-SN	NI	BLACK
	BLACK					
HSP-242_13	RED	NI	PB-SN	PB-SN	NI	BLACK
	BLACK					
HSP-242_14	WHITE	AU	AU**	PB-SN	NI	BLACK
	RED					
HSP-242_15	YELLOW	NI	PB-SN	PB-SN	NI	BLACK
	WHITE					



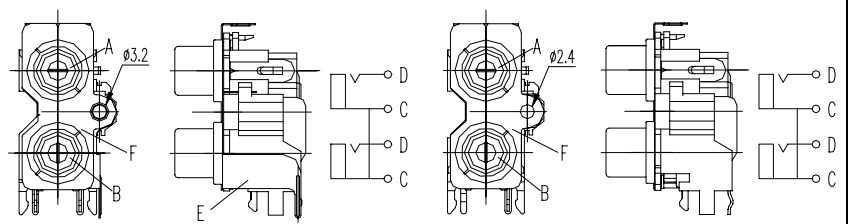
HSP-242VS

HSP-242VS1



HSP-242VS2

HSP-242VS3



HSP-242VS4

HSP-242VS5

DWN	MAISIE	DATE	2001.03.23	NAME: HSP-242 SERIES PARTS NO. TABLE
UPD	JAER	DATE	2003.07.25	
CHKD	CAROL	DATE	2003.08.01	

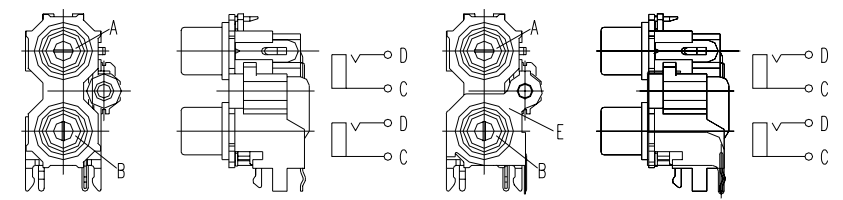
Plating :
PB-SN : MBCu2-PbSn3 NI : MBCu1-Ni1.5 NI+DIP : MBCu1-Ni1.5
L-PB-SN : MBCu2-L-PbSn3 AU : MBNi4-Au0.03 AU** : MBNi2-Au0.05

SINGATRON U.S.A.

DWN. NO.
E-242VS

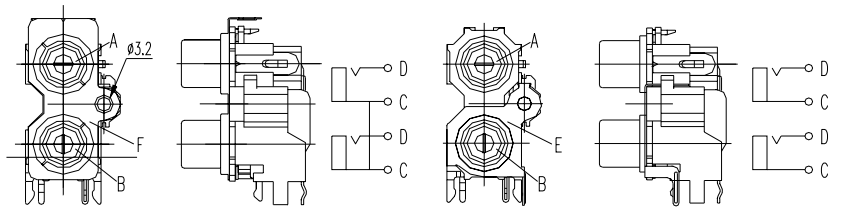
1/4
C

MODEL NO.	COLOR	FINISH				COVER OF COLOR
		C	D	E	F	
HSP-242 SERIES	A(HOUSING) B					
HSP-242_16	YELLOW BLACK	NI	PB-SN	PB-SN	NI	BLACK
HSP-242_17	WHITE WHITE	AU	PB-SN	PB-SN	NI	BLACK
HSP-242_18	RED WHITE	AU	AU**	AU**	NI	BLACK
HSP-242_19	BLACK YELLOW	NI	PB-SN	PB-SN	NI	BLACK
HSP-242_20	BLACK BLACK	AU	AU**	PB-SN	NI	BLACK
HSP-242_21	WHITE YELLOW	NI	PB-SN	PB-SN	NI	BLACK
HSP-242_22	YELLOW YELLOW	AU	PB-SN	PB-SN	NI	BLACK
HSP-242_23	ORANGE ORANGE	NI	PB-SN	PB-SN	NI	BLACK
HSP-242_24	RED WHITE	L-PB-SN	PB-SN	PB-SN	NI	BLACK
HSP-242_25	BLUE RED	NI	PB-SN	PB-SN	NI	BLACK
HSP-242_26	RED WHITE	L-PB-SN	PB-SN	PB-SN	NI	BLUE
HSP-242_27	WHITE BLACK	NI	PB-SN	PB-SN	NI	BLACK
HSP-242_28	BLACK ORANGE	NI	PB-SN	PB-SN	NI	BLACK
HSP-242_29	BLACK WHITE	NI	PB-SN	PB-SN	NI	BLACK
HSP-242_30	RED WHITE	NI	PB-SN	PB-SN	PB-SN	BLACK



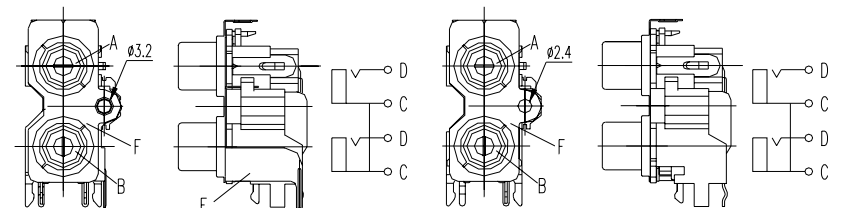
HSP-242VS

HSP-242VS1



HSP-242VS2

HSP-242VS3



HSP-242VS4

HSP-242VS5

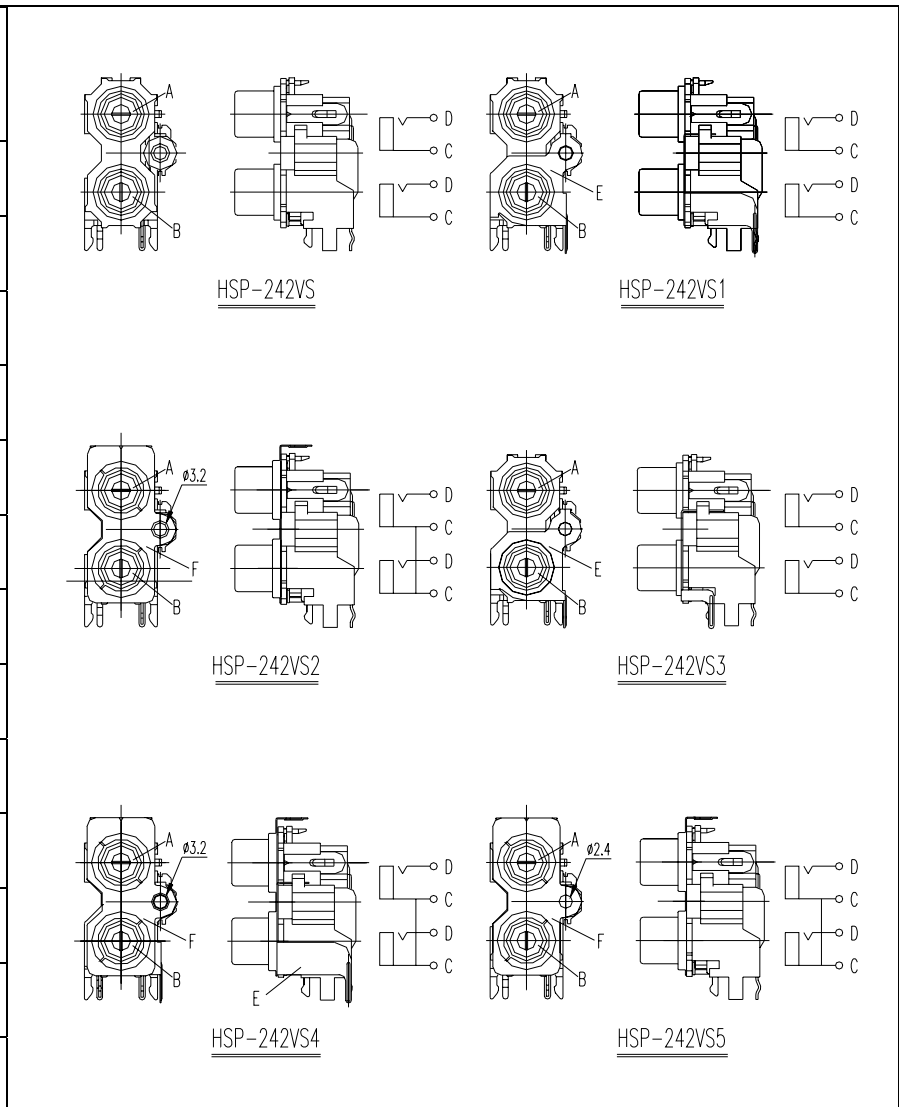
DWN	MAISIE	DATE	2001.03.23	NAME: HSP-242 SERIES PARTS NO. TABLE
UPD	JAER	DATE	2003.07.25	
CHKD	CAROL	DATE	2003.08.01	

Plating :
PB-SN : MBCu2-PbSn3 NI : MBCu1-Ni1.5 NI+DIP : MBCu1-Ni1.5
L-PB-SN : MBCu2-L-PbSn3 AU : MBNi4-Au0.03 AU** : MBNi2-Au0.05

SINGATRON U.S.A.

DWN. NO. E-242VS
2/4
C

MODEL NO.	COLOR	FINISH				COVER OF COLOR
		C	D	E	F	
HSP-242 SERIES	A(HOUSING) B					
HSP-242_31	RED WHITE	AU	PB-SN	PB-SN	PB-SN	BLACK
HSP-242_32	ORANGE YELLOW	NI	PB-SN	PB-SN	NI	BLACK
HSP-242_33	ORANGE YELLOW	AU	PB-SN	PB-SN	NI	BLACK
HSP-242_34	ORANGE ORANGE	AU	PB-SN	PB-SN	NI	BLACK
HSP-242_35	WHITE BLACK	AU	PB-SN	PB-SN	NI	BLACK
HSP-242_36	BLACK BLACK	AU	PB-SN	PB-SN	AU**	BLACK
HSP-242_37	WHITE RED	AU	PB-SN	PB-SN	AU**	BLACK
HSP-242_38	WHITE RED	NI+DIP	PB-SN	PB-SN	NI	BLACK
HSP-242_39	ORANGE ORANGE	AU	PB-SN	PB-SN	AU**	BLACK
HSP-242_40	WHITE RED	L-PB-SN	PB-SN	PB-SN	NI	BLACK
HSP-242_41	RED WHITE	NI+DIP	PB-SN	PB-SN	NI	BLACK
HSP-242_42	ORANGE BLACK	NI	PB-SN	PB-SN	NI	BLACK
HSP-242_43	GREEN BLACK	NI	PB-SN	PB-SN	NI	BLACK
HSP-242_44	BLACK BLACK	NI+DIP	PB-SN	PB-SN	NI	BLACK
HSP-242_45	BLACK BLACK	NI	PB-SN	AU**	AU**	BLACK



DWN	MAISIE	DATE	2001.03.23	NAME: HSP-242 SERIES PARTS NO. TABLE
UPD	JAER	DATE	2003.07.25	
CHKD	CAROL	DATE	2003.08.01	

Plating :
PB-SN : MBCu2-PbSn3 NI : MBCu1-Ni1.5 NI+DIP : MBCu1-Ni1.5
L-PB-SN : MBCu2-L-PbSn3 AU : MBNi4-Au0.03 AU** : MBNi2-Au0.05

SINGATRON U.S.A.	DWN. NO. E-242VS	3/4
		C

