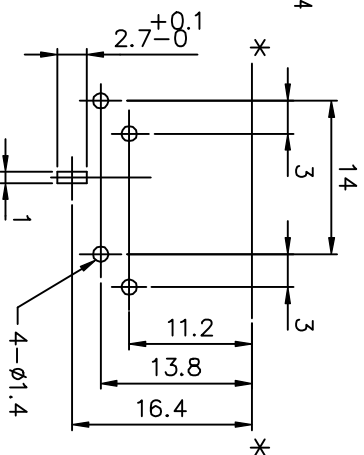
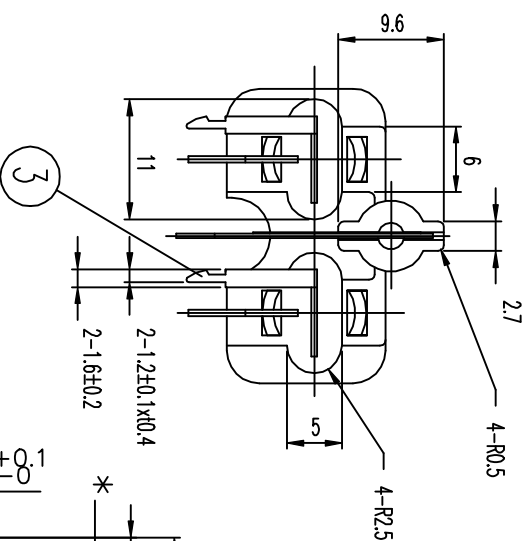
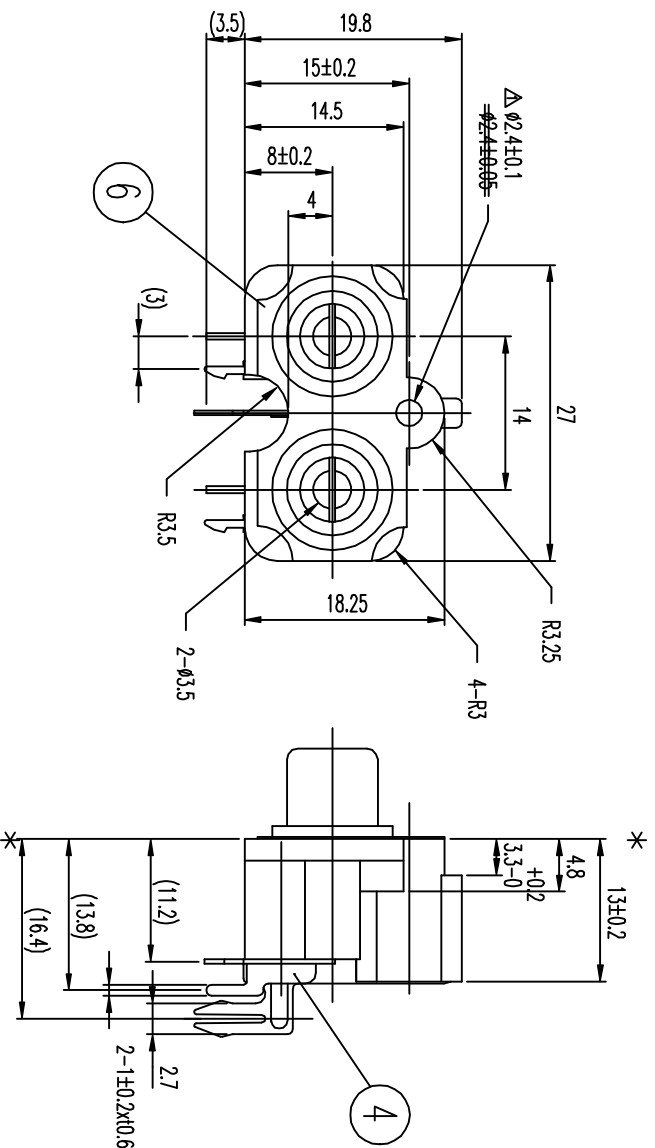
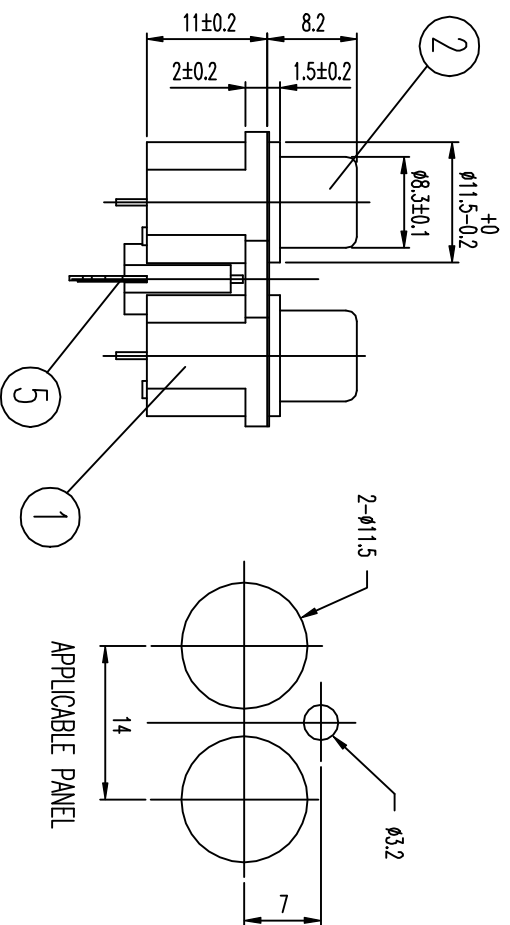


REVISIONS				
LTR	DESCRIPTION	DATE	REVISED	APPROVED
△ x 1	公差加大符合國標	0CT.28.1997		
△ x 1	PC BOARD 方向變更	0CT.28.1997		



PCB HOLE LAYOUT (TOLERANCE : ±0.1)
 △ BOTTOM VIEW



APPLICABLE PANEL

6	SEALED PLATE	1	C2680 ; t=0.2	MB-Cu	Ni	PLATED
5	PANEL CONTACT	1	C2680 ; t=0.4	MB-Cu	Sn/Pb	PLATED
4	EARTH CONTACT	2	C2680 ; t=0.6	MB-Cu	Sn/Pb	PLATED
3	STOPPER CONTACT	2	C2680 ; t=0.4	MB-Cu	Sn/Pb	PLATED
2	COVER	2	C2680 ; t=0.4	MB-Cu	Ni	PLATED
1	HOUSING	1	ABS 94HB (BLACK)			
LTR	PART NAME	QTY	MATERIAL(THICK,COLOR)	REMARK		
DSND	M.L.CHANG	DATE	1992.11.05	SCALE	2 / 1	NAME
DWN	W.S.LO	DATE	MAR.28.1995	3RD ANGLE		PIN JACK
CHKD		DATE		PROJECTION		CAT. NO.
APVD		DATE		UNIT: mm		HSP-232V5-

SINGATRON ENTERPRISE CO., LTD. (U.S.A.)

DWN.NO. A-232V5

001

UNLESS OTHERWISE SPECIFIED, TOLERANCE ON DECIMAL: ±0.4 FRACTIONS:

ANGLES: