

UNLESS OTHERWISE SPECIFIED, TOLERANCE ON DECIMAL: ±0.3 FRACTIONS: ANGLES:

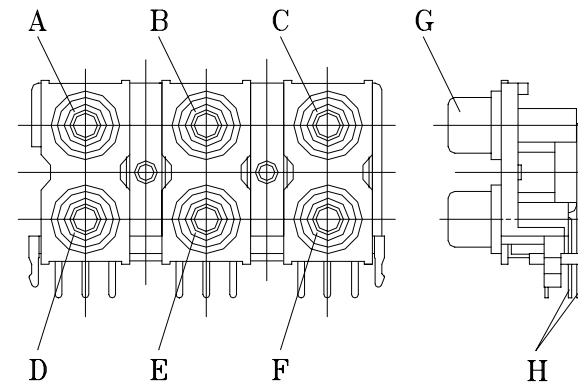
REVISIONS			
LTR	DESCRIPTION	DATE	REVISED
			APPROVED

6	WASHER	3	ABS 94HB		
5	OUTER CONTACT	3	C2680R-0 ; t=0.5	MBCu0.5μm Ni1.5μm(Nickel PLATED)	
4	TERMINAL	3	C2680R-H ; t=0.5	MBCu2μm Sn/Pb(90/10)3μm MIN	
3	TERMINAL	3	C2680R-H ; t=0.5	MBCu2μm Sn/Pb(90/10)3μm MIN	
2	COVER	3	ABS 94HB		
1	HOUSING	1	ABS 94HB		
LTR	PART NAME	QTY	MATERIAL(THICK,COLOR)	REMARK	
DWN	C.W.FENG	DATE	1991.01.14	SCALE	2 / 1
DSND	M.L.CHANG	DATE	1994.09.17	3RD ANGLE PROJECTION	CAT. NO. 6P PIN JACK BEARD
CHKD		DATE		UNIT: mm	HSP-206V
APVD		DATE			

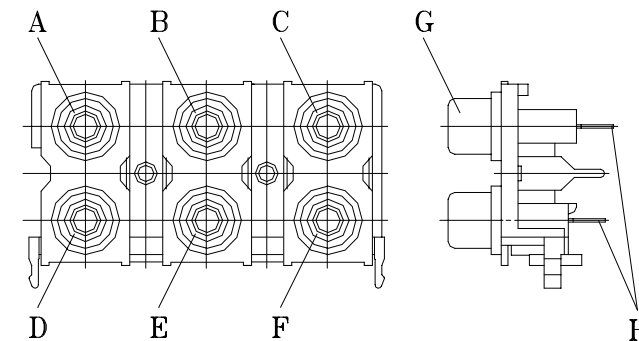
SINGATRON ENTERPRISE CO., LTD. (U.S.A.)

DWN.NO. A-206V

MODEL NO.	COLOR			FINISH	
	A	B	C(HOUSING)	G	H
	D	E	F		
HSP-206 SERIES	WHITE	WHITE	WHITE	NI	PB-SN
	RED	RED	RED		
HSP-206_-02	BLACK	BLACK	BLACK	NI	PB-SN
	BLACK	BLACK	BLACK		
HSP-206_-03	WHITE	WHITE	WHITE	AU	PB-SN
	RED	RED	RED		
HSP-206_-04	BLACK	BLACK	BLACK	NI	PB-SN
	RED	RED	RED		
HSP-206_-05	RED	RED	RED	NI	PB-SN
	WHITE	WHITE	WHITE		
HSP-206_-06	RED	RED	RED	AU	PB-SN
	WHITE	WHITE	WHITE		
HSP-206_-07	RED	RED	RED	AU	AU*
	WHITE	WHITE	WHITE		
HSP-206_-08	RED	RED	RED	NI	PB-SN
	RED	RED	RED		
HSP-206_-09	YELLOW	YELLOW	YELLOW	NI	PB-SN
	YELLOW	YELLOW	YELLOW		
HSP-206_-10	WHITE	WHITE	WHITE	NI	PB-SN
	WHITE	WHITE	WHITE		
HSP-206_-11	YELLOW	WHITE	RED	NI	PB-SN
	YELLOW	WHITE	RED		
HSP-206_-12	RED	WHITE	YELLOW	AU	PB-SN
	RED	WHITE	YELLOW		
HSP-206_-13	YELLOW	YELLOW	WHITE	NI	PB-SN
	YELLOW	YELLOW	RED		
HSP-206_-14	RED	WHITE	YELLOW	NI	PB-SN
	RED	WHITE	YELLOW		



HSP-206V



HSP-206HP

Plating :

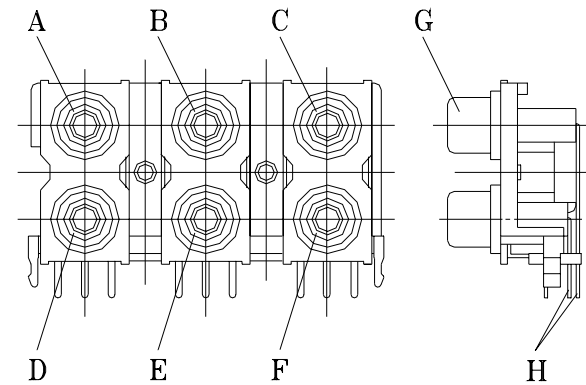
Pb-Sn : MBCu2-PbSn3 Ni : MBCu1-Ni1.5 Au : MBNi4-Au0.03 Au* : MBNi2-Au0.05

DWN	MAISIE	DATE	2001.03.23	NAME HSP-206 SERIES PARTS NO. TABLE	
UPD	MAISIE	DATE	2001.03.23		
CHKD	KUNG	DATE	2001.03.23		
SINGATRON U.S.A.				DWN.NO. E-206-1	B

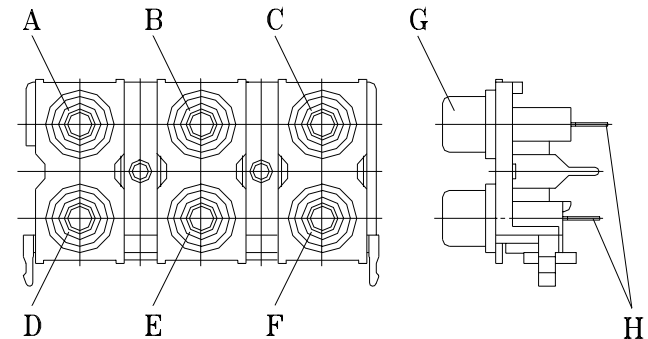
MODEL NO.	COLOR			FINISH	
	A	B	C(HOUSING)	G	H
HSP-206 SERIES	D	E	F		
HSP-206_-15	YELLOW	RED	WHITE	AU	PB-SN
	YELLOW	RED	WHITE		
HSP-206_-16	RED	WHITE	YELLOW	NI	PB-SN
	WHITE	WHITE	WHITE		
HSP-206_-17	YELLOW	WHITE	RED	AU	PB-SN
	YELLOW	WHITE	RED		
HSP-206_-18	WHITE	WHITE	BLACK	NI	PB-SN
	RED	RED	BLACK		
HSP-206_-19	YELLOW	RED	WHITE	NI	PB-SN
	YELLOW	RED	WHITE		
HSP-206_-20	YELLOW	RED	HOAR	NI	PB-SN
	YELLOW	RED	HOAR		
HSP-206_-21	BLACK	BLACK	BLACK	AU	PB-SN
	BLACK	BLACK	BLACK		
HSP-206_-22	YELLOW	YELLOW	YELLOW	NI	PB-SN
	WHITE	WHITE	WHITE		
HSP-206_-23	RED	RED	RED	AU	PB-SN
	BLACK	BLACK	BLACK		
HSP-206_-24	YELLOW	RED	WHITE	NI	PB-SN
	YELLOW	BLACK	WHITE		
HSP-206_-25	WHITE	WHITE	WHITE	AU	PB-SN
	WHITE	WHITE	WHITE		
HSP-206_-26	WHITE	WHITE	WHITE	AU	AU*
	RED	RED	RED		
HSP-206_-27	BLACK	YELLOW	WHITE	NI	PB-SN
	YELLOW	YELLOW	RED		
HSP-206_-28	WHITE	RED	YELLOW	NI	PB-SN
	WHITE	RED	YELLOW		

Plating :

Pb-Sn : MBCu2-PbSn3 Ni : MBCu1-Ni1.5 Au : MBNi4-Au0.03 Au* : MBNi2-Au0.05



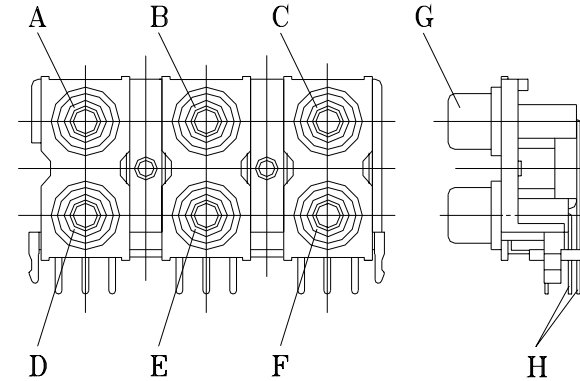
HSP-206V



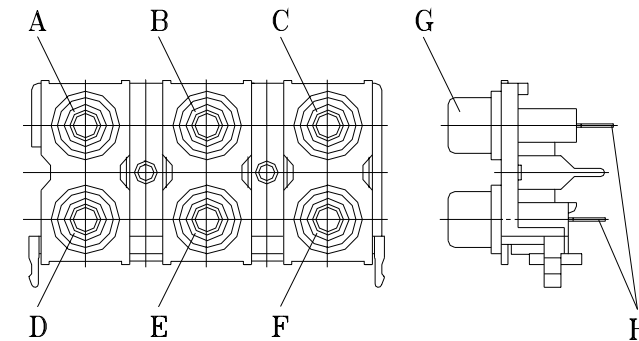
HSP-206HP

DWN	ANDERSON	DATE	2004.01.12	NAME: HSP-206 SERIES PARTS NO. TABLE	
UPD	JOHNSON	DATE	2004.01.12		
CHKD	KUNG	DATE	2004.01.12		
SINGATRON U.S.A.				DWN. NO. E-206-2	B

MODEL NO.	COLOR			FINISH	
	A	B	C(HOUSING)	G	H
HSP-206 SERIES	D	E	F		
HSP-206_-29	ORANGE	ORANGE	ORANGE	AU	AU*
	ORANGE	ORANGE	ORANGE		
HSP-206_-30	YELLOW	WHITE	WHITE	NI	PB-SN
	YELLOW	RED	RED		
HSP-206_-31	WHITE	RED	YELLOW	AU	PB-SN
	WHITE	RED	YELLOW		
HSP-206_-32	WHITE	WHITE	WHITE	NI	PB-SN
	GREEN	BLUE	RED		
HSP-206_-33	YELLOW	WHITE	RED	NI	PB-SN
	GREEN	BLUE	RED		
HSP-206_-34	GREEN	WHITE	RED	AU	AU*
	GREEN	WHITE	RED		
HSP-206_-35	GREEN	BLACK	RED	NI	PB-SN
	YELLOW	WHITE	RED		
HSP-206_-36	GREEN	BLUE	RED	NI	PB-SN
	YELLOW	WHITE	RED		
HSP-206_-37	RED	RED	RED	NI	PB-SN
	YELLOW	YELLOW	YELLOW		
HSP-206_-38	YELLOW	YELLOW	YELLOW	AU	PB-SN
	YELLOW	YELLOW	YELLOW		
HSP-206_-39	RED	GREEN	BLUE	NI	PB-SN
	RED	GREEN	BLUE		
HSP-206_-40	WHITE	WHITE	BLACK	AU	PB-SN
	RED	RED	BLACK		
HSP-206_-41	BLACK	WHITE	WHITE	AU	PB-SN
	BLACK	RED	RED		



HSP-206V



HSP-206HP

Plating :
Pb-Sn : MBCu2-PbSn3 Ni : MBCu1-Ni1.5 Au : MBNi4-Au0.03 Au* : MBNi2-Au0.05

DWN	ANDERSON	DATE	2004.01.12	NAME: HSP-206 SERIES PARTS NO. TABLE	
UPD	JOHNSON	DATE	2004.01.12		
CHKD	KUNG	DATE	2004.01.12		
SINGATRON U.S.A.				DWN. NO. E-206-3	B

