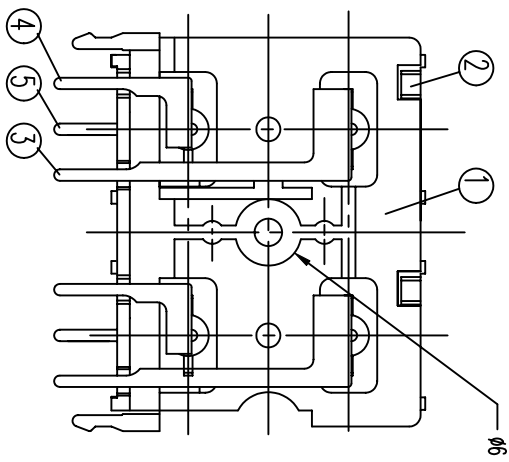
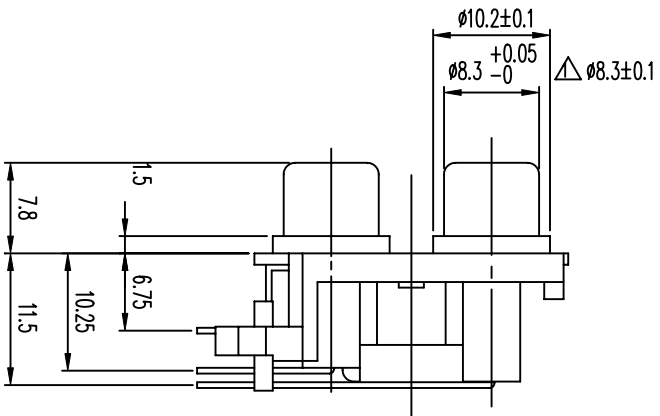
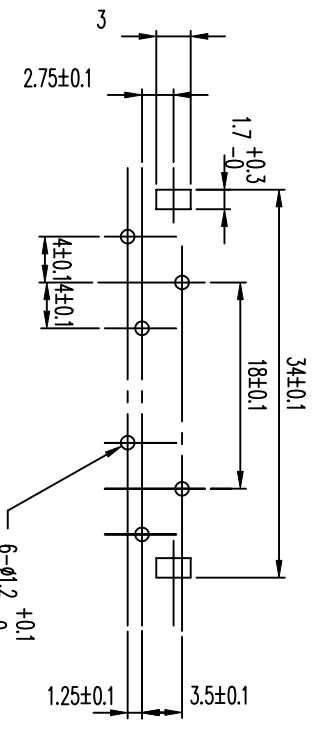
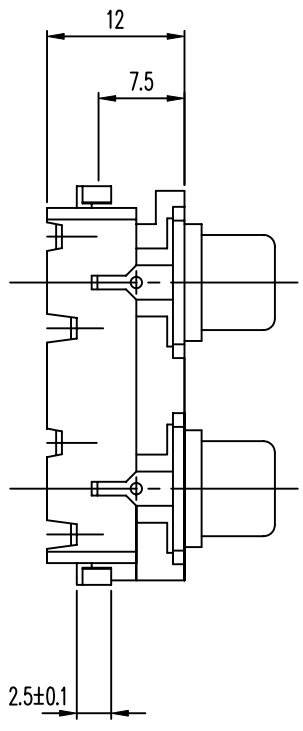
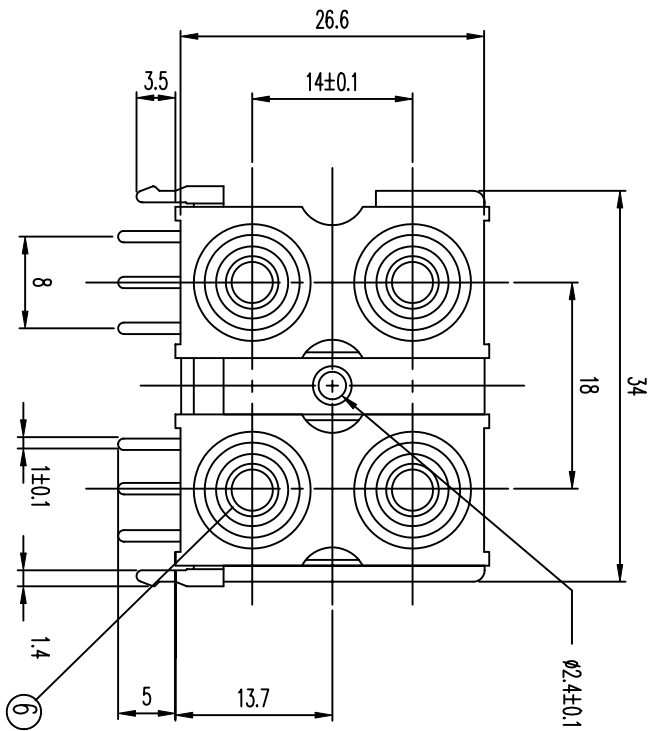


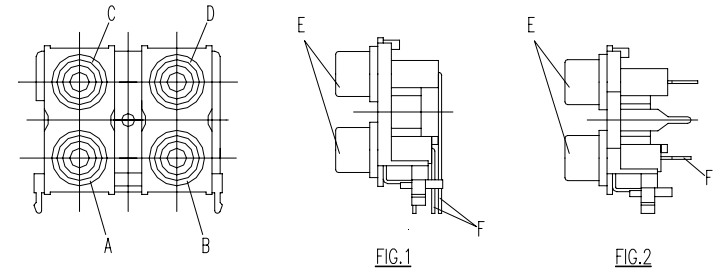
REVISIONS				
LTR	DESCRIPTION	DATE	REVISED	APPROVED
$\Delta \times 1$		1996.05.04		



6	WASHER	2	ABS 94HB						
5	OUTER CONTACT	2	C2680R-0, t=0.5	MB: Cu	Ni	PLATED			
4	TERMINAL	2	C2680R-H, t=0.5	MB: Cu	Pb/Sn	PLATED			
3	TERMINAL	2	C2680R-H, t=0.5	MB: Cu	Pb/Sn	PLATED			
2	COVER	2	ABS 94HB						
1	HOUSING	1	ABS 94HB						
LTR	PART NAME	QTY	MATERIAL (THICK, COLOR)	REMARK					
DWN	DATE								
DSND	C.W.FENG	DATE	1994.09.17	SCALE	2 / 1	NAME	PIN JACK		
CHKD	DATE	3RD ANGLE PROJECTION		CAT. NO.	HSP-204V				
APVD	DATE	UNIT: mm		DWN. NO.	A-204V				

UNLESS OTHERWISE SPECIFIED, TOLERANCE ON DECIMAL: ±0.3 FRACTIONS: ANGLES: SINGATRON ENTERPRISE CO., LTD. (U.S.A.)

MODEL NO.			COLOR				FINISH	
FIG.1	FIG.1	FIG.2	A	B	C	D(BODY)	E	F
HSP-204V-01	HSP-204V-01Z	HSP-204HP-01	RED	RED	WHITE	WHITE	NI	PB-SN
HSP-204V-02	HSP-204V-02Z	HSP-204HP-02	BLACK	BLACK	BLACK	BLACK	NI	PB-SN
HSP-204V-03	HSP-204V-03Z	HSP-204HP-03	RED	RED	WHITE	WHITE	AU	PB-SN
HSP-204V-04	HSP-204V-04Z	HSP-204HP-04	RED	RED	BLACK	BLACK	NI	PB-SN
HSP-204V-05	HSP-204V-05Z	HSP-204HP-05	WHITE	WHITE	RED	RED	NI	PB-SN
HSP-204V-06	HSP-204V-06Z	HSP-204HP-06	WHITE	WHITE	RED	RED	AU	PB-SN
HSP-204V-07	HSP-204V-07Z	HSP-204HP-07	WHITE	WHITE	RED	RED	AU	AU*
HSP-204V-08	HSP-204V-08Z	HSP-204HP-08	RED	WHITE	YELLOW	YELLOW	NI	PB-SN
HSP-204V-09	HSP-204V-09Z	HSP-204HP-09	RED	YELLOW	WHITE	BLACK	NI	PB-SN
HSP-204V-10	HSP-204V-10Z	HSP-204HP-10	RED	BLACK	WHITE	YELLOW	NI	PB-SN
HSP-204V-11	HSP-204V-11Z	HSP-204HP-11	RED	RED	BLACK	BLACK	AU	PB-SN
HSP-204V-12	HSP-204V-12Z	HSP-204HP-12	RED	RED	WHITE	WHITE	AU	AU*
HSP-204V-13	HSP-204V-13Z	HSP-204HP-13	WHITE	WHITE	YELLOW	YELLOW	NI	PB-SN
HSP-204V-14	HSP-204V-14Z	HSP-204HP-14	RED	WHITE	RED	WHITE	NI	PB-SN
HSP-204V-15	HSP-204V-15Z	HSP-204HP-15	YELLOW	YELLOW	YELLOW	YELLOW	NI	PB-SN
HSP-204V-16	HSP-204V-16Z	HSP-204HP-16	RED	WHITE	RED	WHITE	AU	PB-SN
HSP-204V-17	HSP-204V-17Z	HSP-204HP-17	RED	BLACK	RED	WHITE	NI	PB-SN
HSP-204V-18	HSP-204V-18Z	HSP-204HP-18	RED	RED	YELLOW	YELLOW	NI	PB-SN
HSP-204V-19	HSP-204V-19Z	HSP-204HP-19	RED	YELLOW	RED	YELLOW	NI	PB-SN
HSP-204V-20	HSP-204V-20Z	HSP-204HP-20	BLACK	BLACK	BLACK	BLACK	AU	PB-SN
HSP-204V-21	HSP-204V-21Z	HSP-204HP-21	BLACK	BLACK	YELLOW	YELLOW	NI	PB-SN
HSP-204V-22	HSP-204V-22Z	HSP-204HP-22	BLACK	YELLOW	BLACK	YELLOW	NI	PB-SN
HSP-204V-23	HSP-204V-23Z	HSP-204HP-23	HOAR	HOAR	HOAR	HOAR	NI	PB-SN
HSP-204V-24	HSP-204V-24Z	HSP-204HP-24	YELLOW	YELLOW	YELLOW	YELLOW	AU	PB-SN
HSP-204V-25	HSP-204V-25Z	HSP-204HP-25	WHITE	RED	WHITE	RED	NI	PB-SN
HSP-204V-26	HSP-204V-26Z	HSP-204HP-26	WHITE	YELLOW	RED	YELLOW	NI	PB-SN
HSP-204V-27	HSP-204V-27Z	HSP-204HP-27	RED	YELLOW	WHITE	YELLOW	NI	PB-SN
HSP-204V-28	HSP-204V-28Z	HSP-204HP-28	YELLOW	WHITE	YELLOW	RED	NI	PB-SN
HSP-204V-29	HSP-204V-29Z	HSP-204HP-29	YELLOW	RED	YELLOW	WHITE	NI	PB-SN
HSP-204V-30	HSP-204V-30Z	HSP-204HP-30	RED	WHITE	YELLOW	BLACK	NI	PB-SN



Plating :

Ni : MBCu2-PbSn3 Pb-Sn : MBCu2-PbSn3 Au : MBNi4-Au0.03 Au* : MBNi2-Au0.05

DWN	PILLAR	DATE	2004.01.28	NAME HSP-204 SERIES PARTS NO. TABLE	
UPD	JOHNSON	DATE	2004.02.02		
CHKD	KUNG	DATE	2004.02.02		
SINGATRON ENT CO., LTD.(U.S.A.)				DWN. NO. E-204-1	1/3
					B

MODEL NO.			COLOR				FINISH	
FIG.1	FIG.1	FIG.2	A	B	C	D(BODY)	E	F
HSP-204V-31	HSP-204V-31Z	HSP-204HP-31	YELLOW	RED	RED	WHITE	NI	PB-SN
HSP-204V-32	HSP-204V-32Z	HSP-204HP-32	WHITE	YELLOW	YELLOW	BLACK	NI	PB-SN
HSP-204V-33	HSP-204V-33Z	HSP-204HP-33	YELLOW	RED	YELLOW	RED	NI	PB-SN
HSP-204V-34	HSP-204V-34Z	HSP-204HP-34	WHITE	RED	WHITE	YELLOW	NI	PB-SN
HSP-204V-35	HSP-204V-35Z	HSP-204HP-35	BLACK	BLACK	RED	RED	NI	PB-SN
HSP-204V-36	HSP-204V-36Z	HSP-204HP-36	WHITE	WHITE	WHITE	WHITE	AU	AU*
HSP-204V-37	HSP-204V-37Z	HSP-204HP-37	YELLOW	WHITE	YELLOW	WHITE	NI	PB-SN
HSP-204V-38	HSP-204V-38Z	HSP-204HP-38	WHITE	WHITE	WHITE	WHITE	NI	PB-SN
HSP-204V-39	HSP-204V-39Z	HSP-204HP-39	BLACK	WHITE	RED	YELLOW	NI	PB-SN
HSP-204V-40	HSP-204V-40Z	HSP-204HP-40	RED	WHITE	BLACK	YELLOW	NI	PB-SN
HSP-204V-41	HSP-204V-41Z	HSP-204HP-41	YELLOW	BLACK	YELLOW	BLACK	NI	PB-SN
HSP-204V-42	HSP-204V-42Z	HSP-204HP-42	YELLOW	YELLOW	WHITE	WHITE	NI	PB-SN
HSP-204V-43	HSP-204V-43Z	HSP-204HP-43	WHITE	WHITE	WHITE	WHITE	AU	PB-SN
HSP-204V-44	HSP-204V-44Z	HSP-204HP-44	BLACK	RED	BLACK	RED	AU	PB-SN
HSP-204V-45	HSP-204V-45Z	HSP-204HP-45	RED	WHITE	YELLOW	YELLOW	AU	PB-SN
HSP-204V-46	HSP-204V-46Z	HSP-204HP-46	YELLOW	YELLOW	RED	WHITE	NI	PB-SN
HSP-204V-47	HSP-204V-47Z	HSP-204HP-47	RED	RED	RED	RED	AU	PB-SN
HSP-204V-48	HSP-204V-48Z	HSP-204HP-48	WHITE	BLACK	RED	YELLOW	NI	PB-SN
HSP-204V-49	HSP-204V-49Z	HSP-204HP-49	YELLOW	BLACK	RED	WHITE	NI	PB-SN
HSP-204V-50	HSP-204V-50Z	HSP-204HP-50	RED	WHITE	BLACK	BLACK	NI	PB-SN
HSP-204V-51	HSP-204V-51Z	HSP-204HP-51	RED	WHITE	YELLOW	BLACK	AU	PB-SN
HSP-204V-52	HSP-204V-52Z	HSP-204HP-52	BLACK	BLACK	BLACK	BLACK	AU	AU*
HSP-204V-53	HSP-204V-53Z	HSP-204HP-53	BLACK	RED	YELLOW	WHITE	NI	PB-SN
HSP-204V-54	HSP-204V-54Z	HSP-204HP-54	ORANGE	ORANGE	ORANGE	ORANGE	AU	AU*
HSP-204V-55	HSP-204V-55Z	HSP-204HP-55	BLUE	YELLOW	RED	WHITE	NI	PB-SN
HSP-204V-56	HSP-204V-56Z	HSP-204HP-56	BLUE	YELLOW	RED	WHITE	AU	PB-SN
HSP-204V-57	HSP-204V-57Z	HSP-204HP-57	RED	BLACK	WHITE	BLACK	NI	PB-SN
HSP-204V-58	HSP-204V-58Z	HSP-204HP-58	BLUE	YELLOW	WHITE	RED	NI	PB-SN
HSP-204V-59	HSP-204V-59Z	HSP-204HP-59	BLUE	WHITE	YELLOW	RED	NI	PB-SN
HSP-204V-60	HSP-204V-60Z	HSP-204HP-60	RED	RED	WHITE	WHITE	NI	AU*

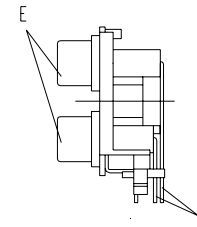
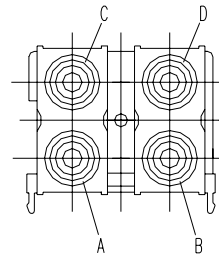


FIG.1

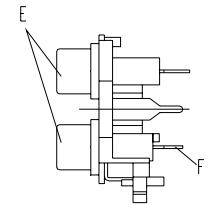


FIG.2

DWN	PILLAR	DATE	2004.01.28	NAME: HSP-204 SERIES PARTS NO. TABLE	
UPD	JOHNSON	DATE	2004.02.02		
CHKD	KUNG	DATE	2004.02.02		
SINGATRONENT CO., LTD. (U.S.A.)				DWN. NO. E-204-2	2/3
					B

Plating :

Ni : MBCu2-PbSn3 Pb-Sn : MBCu2-PbSn3 Au : MBNi4-Au0.03 Au* : MBNi2-Au0.05

