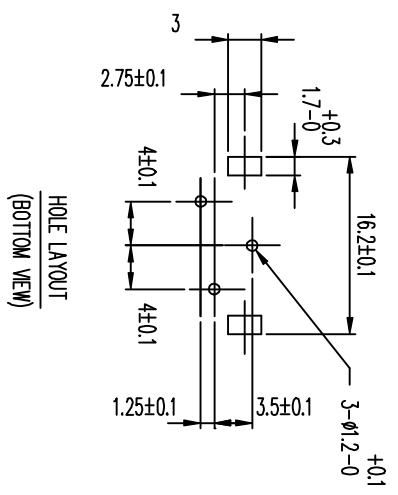
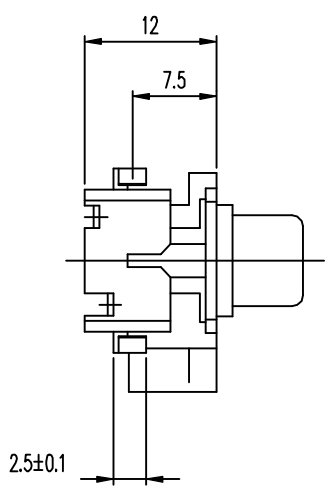
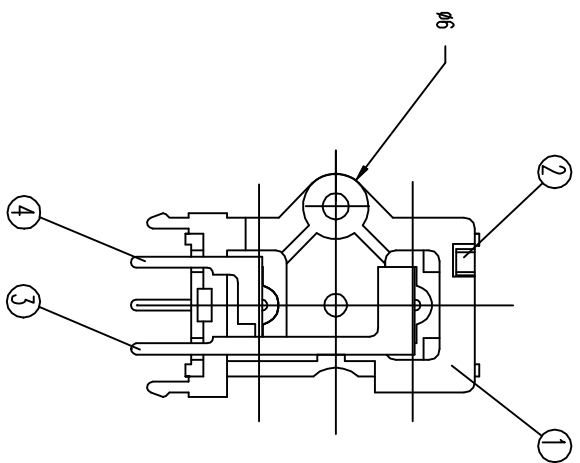
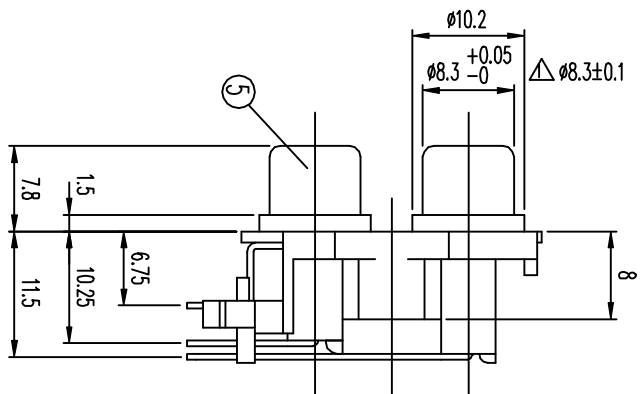
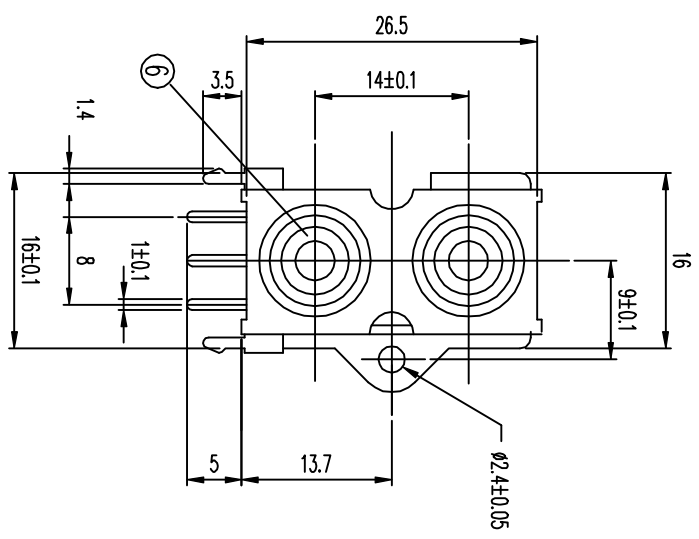


REVISIONS				
LTR	DESCRIPTION	DATE	REVISED	APPROVED
Δx1	????????, ????????	1996.05.04	???	C.H.Chan



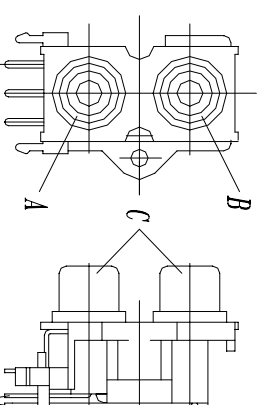
6	WASHER	1	ABS 94HB				
5	OUTER CONTACT	1	C2680-0, t=0.5	MB: Cu	Ni	PLATED	
4	TERMINAL	1	C2680-H, t=0.5	MB: Cu	Pb/Sn	PLATED	
3	TERMINAL	1	C2680-H, t=0.5	MB: Cu	Pb/Sn	PLATED	
2	COVER	1	ABS 94HB				
1	HOUSING	1	ABS 94HB				
TR	PART NAME	QTY	MATERIAL(THICK, COLOR)	REMARK			
DWN	DATE	SCALE	NAME				
DSND	C.W.FENG	1994.09.17	PIN JACK				
CHKD	DATE	3RD ANGLE PROJECTION	CAT. NO.				
APVD	DATE	UNIT: mm	HSP-202V				

UNLESS OTHERWISE SPECIFIED, TOLERANCE ON DECIMAL: ±0.3 FRACTIONS: ANGLES:

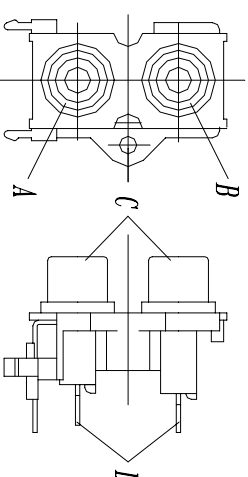
SINGATRON ENTERPRISE CO., LTD. (U.S.A.)

DWN.NO. A-202V

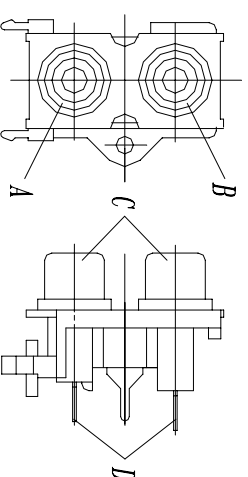
MODEL NO.	COLOR B(HOUSING)	FINISH	
		C	D
HSP-202 SERIES	A		
	WHITE	NI	PB-SN
HSP-202_01	RED	NI	PB-SN
	BLACK	NI	PB-SN
HSP-202_02	BLACK	NI	PB-SN
	WHITE	AU	PB-SN
HSP-202_03	RED	AU	PB-SN
	BLACK	NI	PB-SN
HSP-202_04	RED	NI	PB-SN
	RED	NI	PB-SN
HSP-202_05	WHITE	NI	PB-SN
	RED	AU	PB-SN
HSP-202_06	WHITE	AU	PB-SN
	RED	AU	AU
HSP-202_07	WHITE	NI	PB-SN
	RED	NI	PB-SN
HSP-202_08	YELLOW	NI	PB-SN
	YELLOW	NI	PB-SN
HSP-202_09	WHITE	NI	PB-SN
	WHITE	NI	PB-SN
HSP-202_10	GREEN	NI	PB-SN
	GREEN	NI	PB-SN
HSP-202_11	BLACK	AU	PB-SN
	BLACK	NI	PB-SN
HSP-202_12	RED	AU	AU
	BLACK	NI	PB-SN
HSP-202_13	WHITE	AU	AU
	YELLOW	NI	PB-SN
HSP-202_14	WHITE	NI	PB-SN
	YELLOW	NI	PB-SN
HSP-202_15	BLACK	NI	PB-SN
	WHITE	NI	PB-SN
HSP-202_16	WHITE	AU	PB-SN
	WHITE		



HSP-202Y



HSP-202H



HSP-202HP

DWN	MA/S/E	DATE	2001.03.23	NAME: HSP-202 SERIES PARTS NO. TABLE
UPD	MA/S/E	DATE	2001.03.23	
CHKD	KUNNG	DATE	2001.03.23	

SINGATRON ENT. CO., LTD. (USA)

DWN. NO.
E-202-1

003

