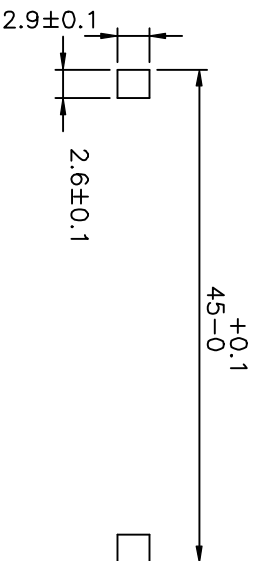
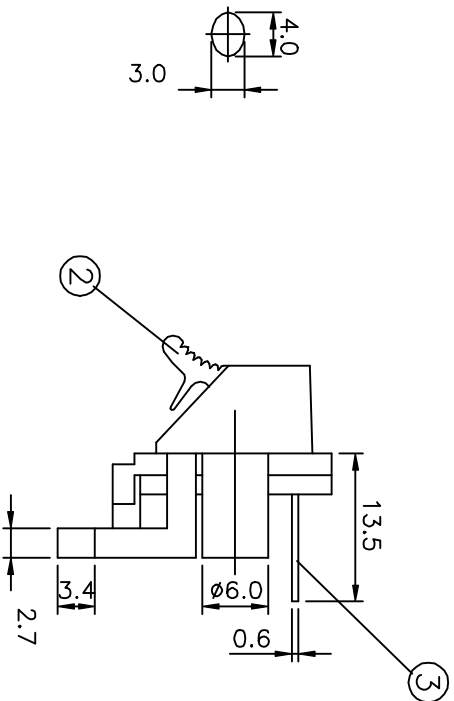
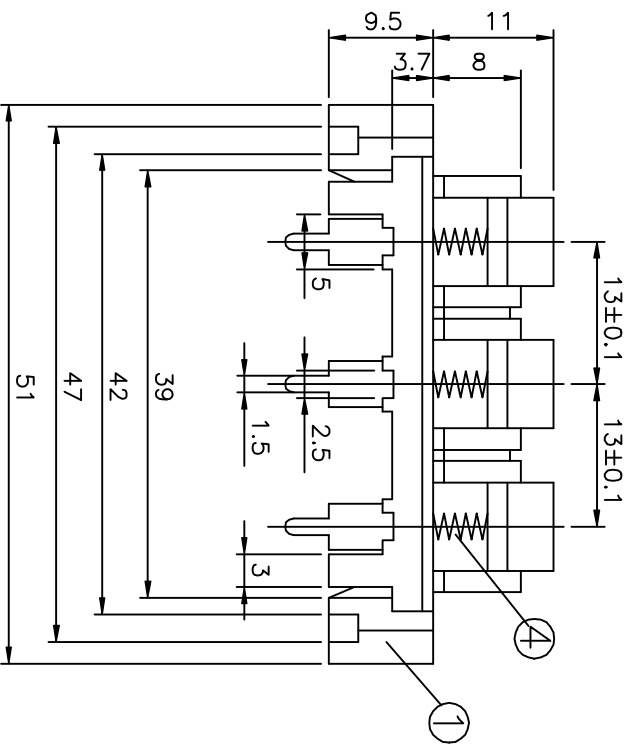
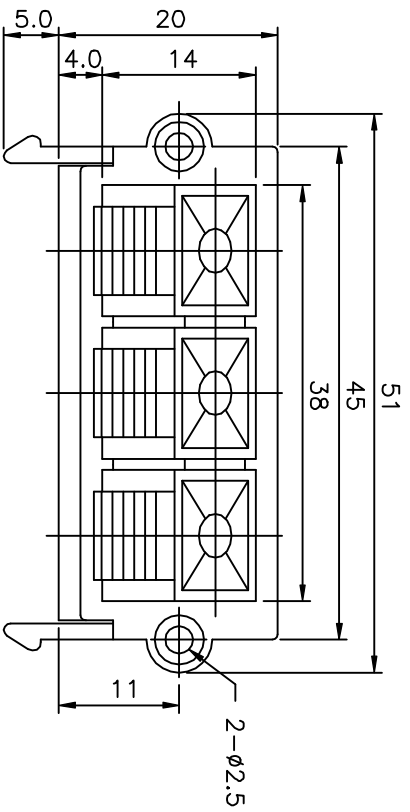


REVISIONS				
LTR	DESCRIPTION	DATE	REVISED	APPROVED



4	SPRING	3	SWC φ0.55		
3	CONTACT	3	C2680R-H, t=0.6		PB--SN--PLATED
2	PUSH PLATE	3	ABS 94HB		
1	HOUSING	1	ABS 94HB		
LTR	PART NAME	QTY	MATERIAL (THICK, COLOR)	SCALE	REMARK
DWN	ALEX SU	DATE	1999.06.16	2 / 1	NAME
DSND	M.L.CHANG	DATE	1993.01.04		PUSH TERMINAL BOARD
CHKD		DATE		3RD ANGLE PROJECTION	CAT. NO.
APVD		DATE		UNIT: mm	HSP-103HS

SINGATRON ENTERPRISE CO., LTD. (U.S.A.)

DWN.NO. A-103HS

UNLESS OTHERWISE SPECIFIED, TOLERANCE ON DECIMAL: .03 FRACTIONS: ANGLES: