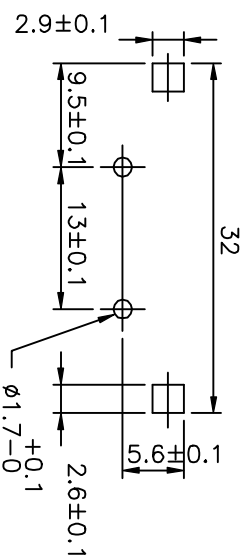
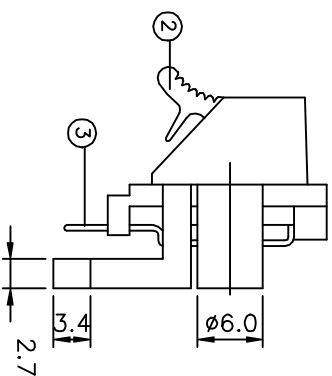
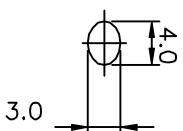
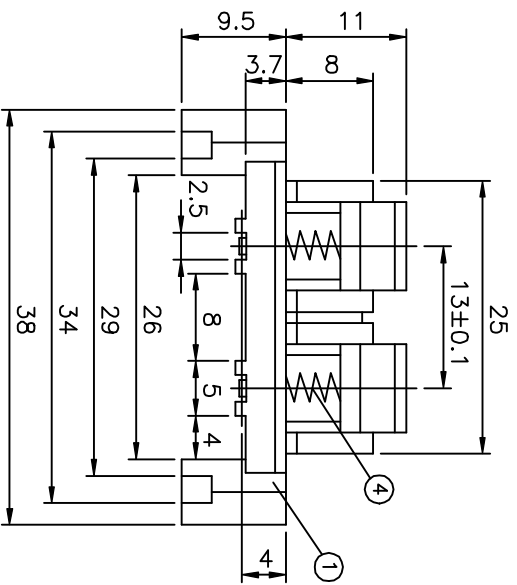
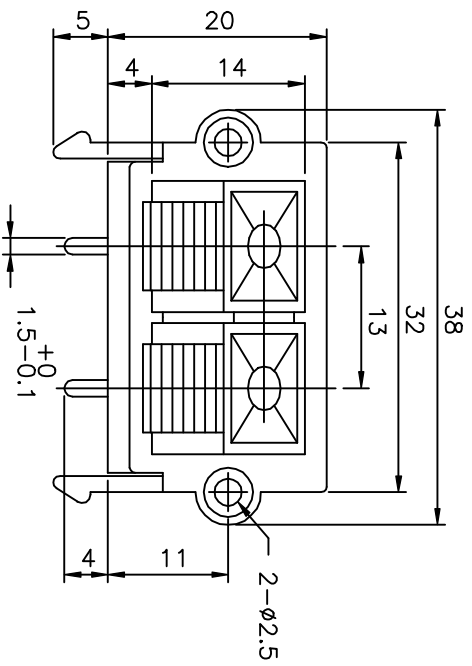


REVISIONS				
LTR	DESCRIPTION	DATE	REVISED	APPROVED



4	SPRING	2	SWC ø0.55		
3	CONTACT	2	C2680R-H, t=0.5		PB-SN-PLATED
2	PUSH PLATE	2	ABS 94HB		CHI MEI IND CO.,LTD. PA-717C
1	HOUSING	1	ABS 94HB		CHI MEI IND CO.,LTD. PA-717C
LTR	PART NAME	QTY	MATERIAL(THICK,COLOR)		
DWN	DATE	SCALE 2/1		NAME	
DSND	1992.04.20	3RD ANGLE		PUSH TERMINAL BOARDS	
CHKD	DATE	PROJECTION		CAT. NO.	
APVD	DATE	UNIT: mm		HSP-102V	

UNLESS OTHERWISE SPECIFIED, TOLERANCE ON DECIMAL: ø0.3 FRACTIONS:

ANGLES:

SINGATRON ENTERPRISE CO., LTD. (U.S.A.)

DWN.NO. A-102V