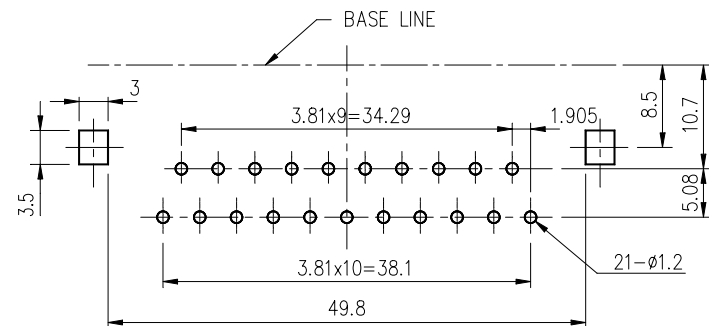
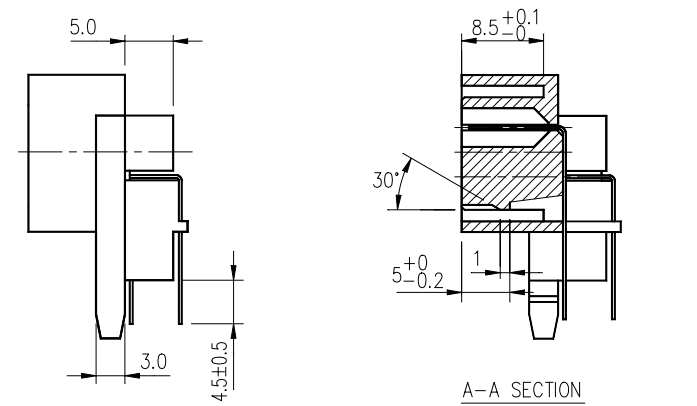


REVISIONS				
LTR	DESCRIPTION	DATE	REVISED	APPROVED
1 x 1	客户要求修改尺寸	1998.09.30	ERICKANG	JOHNSON



HOLE LAYOUT (BOTTOM VIEW)

TOLERANCE : ±0.1

Note : 1. THIS SOCKET SHALL CONFORM TO SPECIFICATION.

2	CONTACT	21	C2680, t=0.4	MB:Cu Sn/Pb PLATED
1	HOUSING	1	ABS	UL-94HB
LTR	PART NAME	QTY	MATERIAL	REMARK
DSND	JACKY	DATE	1997.02.26	3RD ANGLE PROJECTION
DWN	JACKY	DATE	1997.02.26	
CHKD	JOHNSON	DATE	1997.02.26	
APVD	KUNG	DATE	1997.02.26	
SINGATRON U.S.A.				DWN.No.
				A-021V05
				001

UNLESS OTHERWISE SPECIFIED, TOLERANCE ON DECIMAL : ±0.3 ANGLES : ±5°