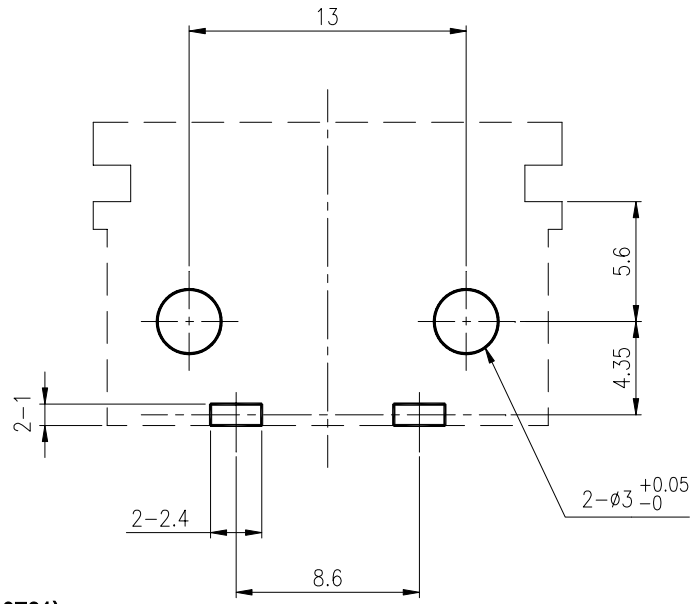
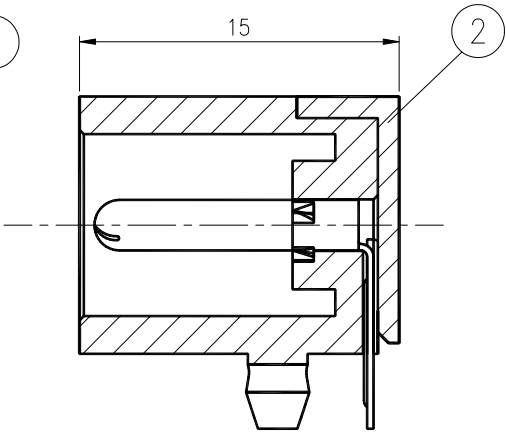
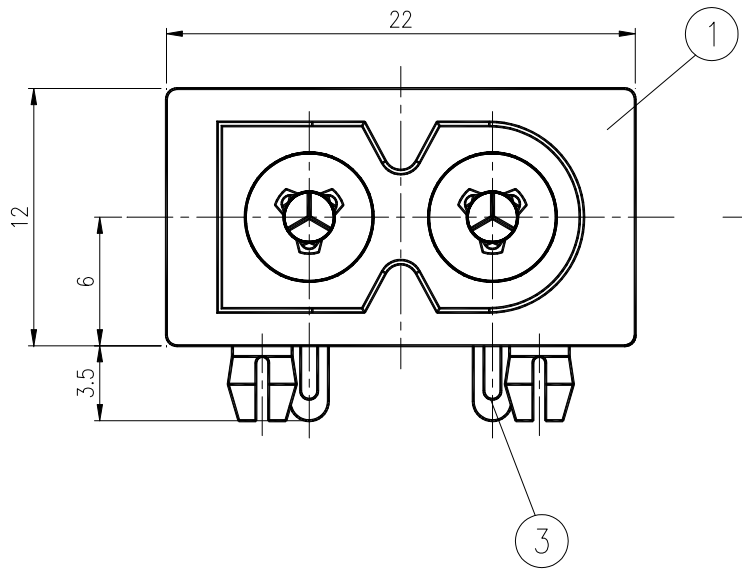


REVISIONS				
LTR	DESCRIPTION	DATE	REVISED	APPROVED

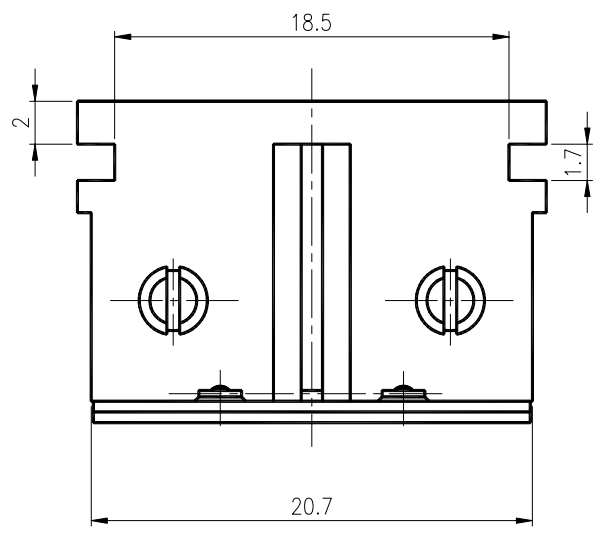


Note : Approved standard : UL FILE NO: E95834

CSA FILE NO: 179005 (LR80761)

Rating: AC 250V 2.5A
AC 125V 7A

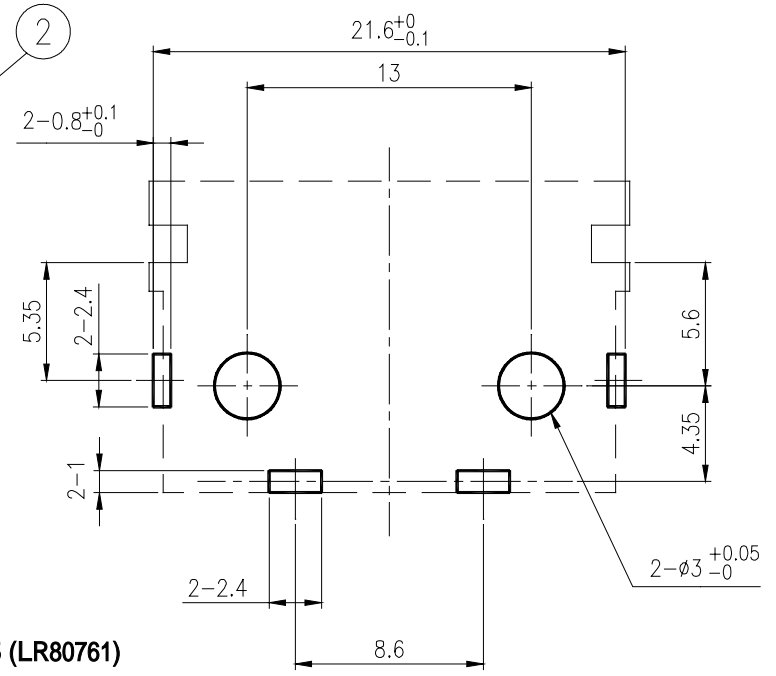
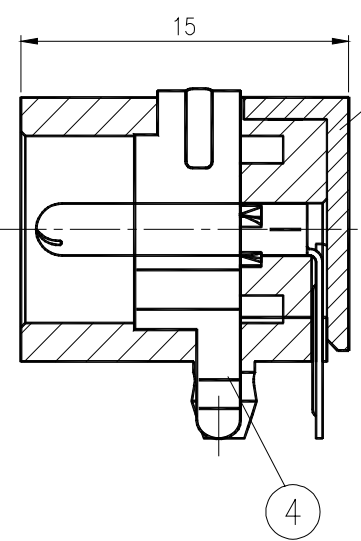
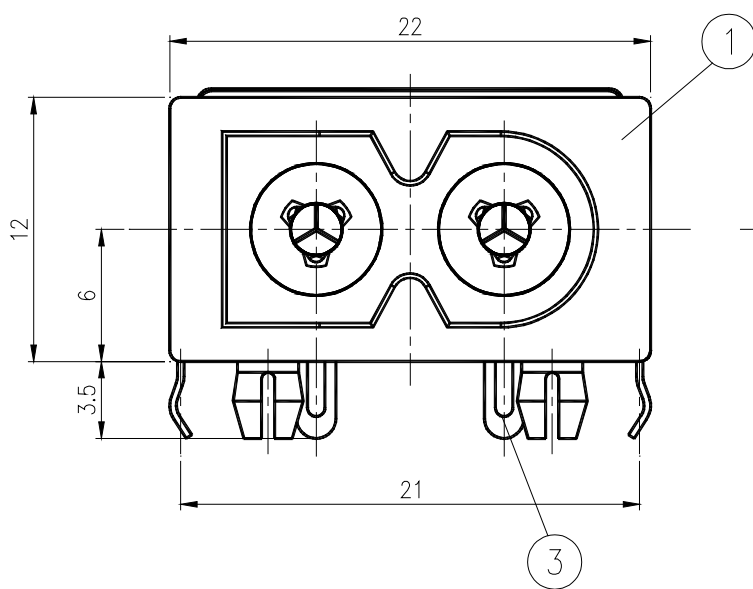
HOLE LAYOUT
(BOTTOM VIEW)
(TOLERANCE : ±0.1)



UNLESS OTHERWISE SPECIFIED, TOLERANCE ON DECIMAL:±0.3 ANGLES:±5°

3	PIN	2	C2680R-1/2H t=0.4	MBCu2-Sn3
2	COVER	1	PPO (UL94V-0)	GE N300
1	HOUSING	1	PPO (UL94V-0)	GE N300
LTR	PART NAME	QTY	MATERIAL	REMARK
DSND	ALEX	DATE	2002.05.04	NAME AC POWER SOCKET CAT. No. HJC-038A-CP DWN. No. A-038A-CP
DWN	ALEX	DATE	2003.07.02	
CHKD	JOHNSON	DATE	2003.07.02	
APVD	KUNG	DATE	2003.07.04	
SINGATRON ENT. CO., LTD. (USA)				UNIT : mm 3RD ANGLE PROJECTION
				1/1
				B

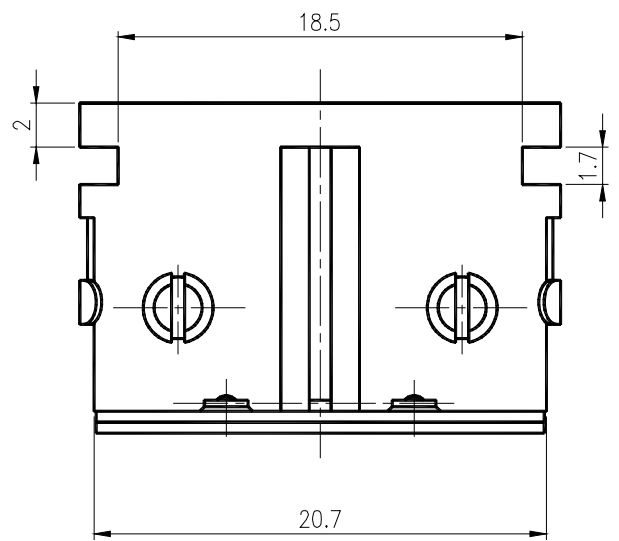
REVISIONS				
LTR	DESCRIPTION	DATE	REVISED	APPROVED



Note : Approved standard : UL FILE NO: E95834
 CSA FILE NO: 179005 (LR80761)

Rating: AC 250V 2.5A
 AC 125V 7A

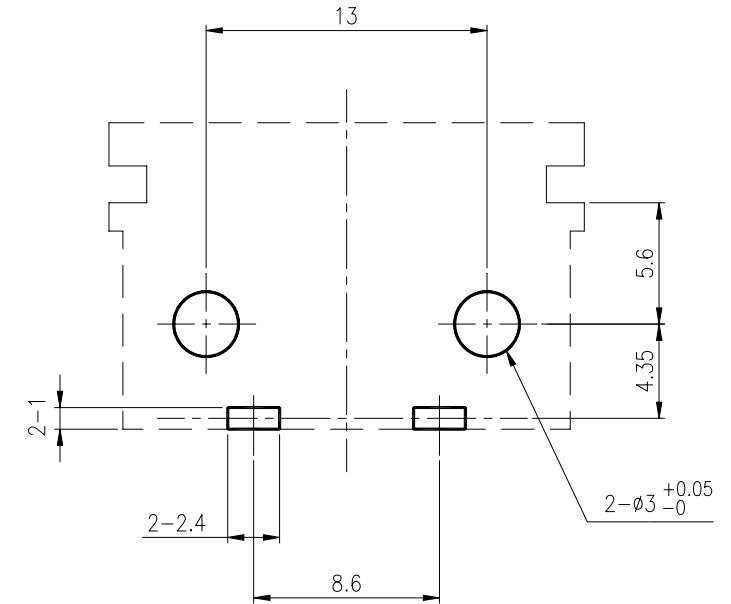
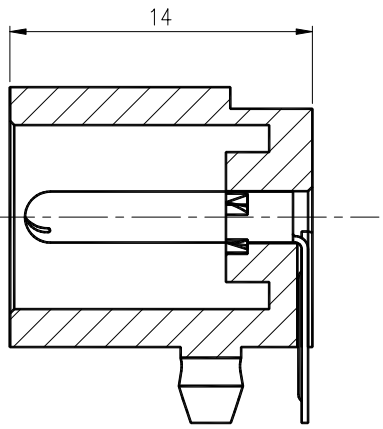
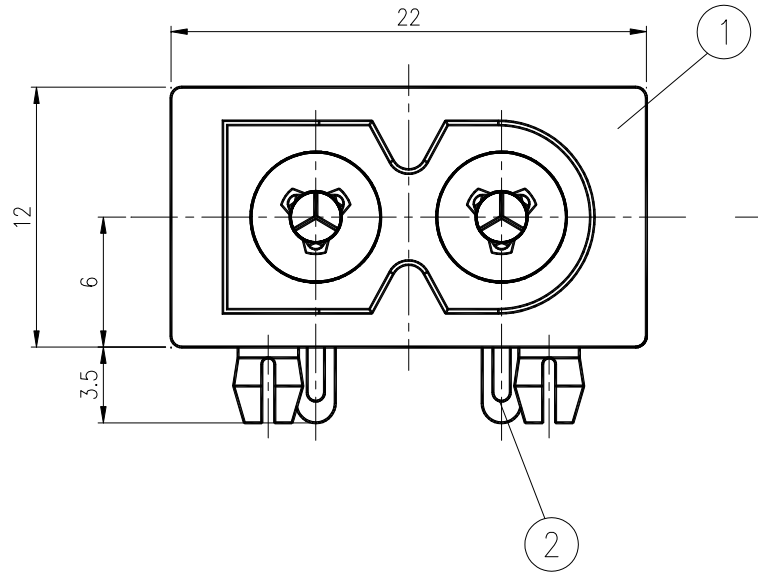
HOLE LAYOUT
 (BOTTOM VIEW)
 (TOLERANCE : ±0.1)



UNLESS OTHERWISE SPECIFIED, TOLERANCE ON DECIMAL:±0.3 ANGLES:±5°

4	METAL SHELL	1	C2680R-H	t=0.3	MBCu2-Sn3
3	PIN	2	C2680R-1/2H	t=0.4	MBCu2-Sn3
2	COVER	1	PPO (UL94V-0)		GE N300
1	HOUSING	1	PPO (UL94V-0)		GE N300
LTR	PART NAME	QTY	MATERIAL		REMARK
DSND	ALEX	DATE	2002.05.04		NAME AC POWER SOCKET CAT. No. HJC-038A-CVP DWN. No. A-038A-CVP
DWN	ALEX	DATE	2003.07.02		
CHKD	JOHNSON	DATE	2003.07.02		
APVD	KUNG	DATE	2003.07.04		
SINGATRON ENT. CO., LTD. (USA)					UNIT : mm 3RD ANGLE PROJECTION
					1/1 B

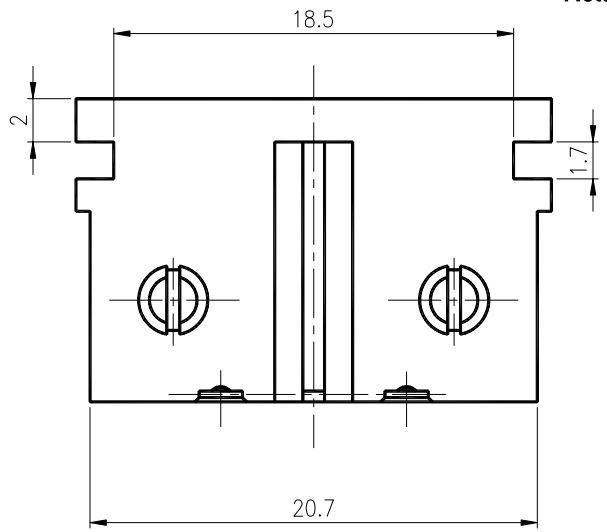
REVISIONS				
LTR	DESCRIPTION	DATE	REVISED	APPROVED



Note : Approved standard : UL FILE NO: E95834
 CSA FILE NO: 179005 (LR80761)

Rating: AC 250V 2.5A
 AC 125V 7A

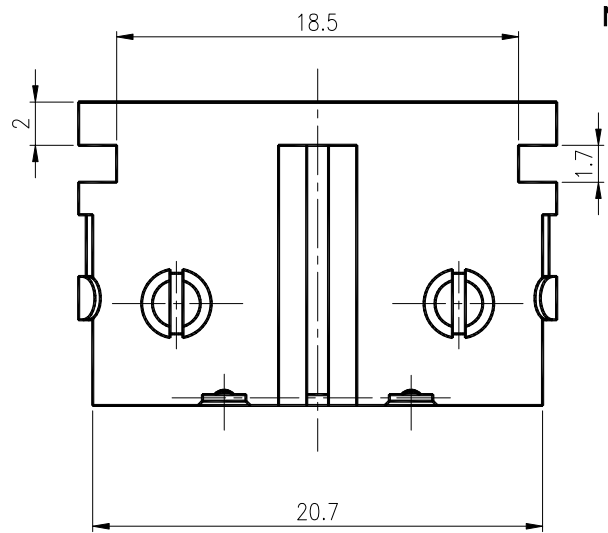
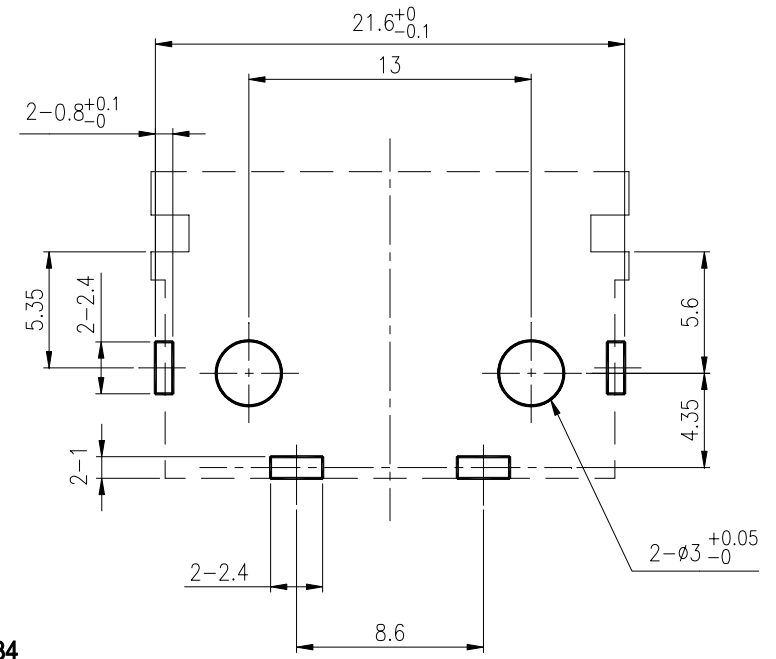
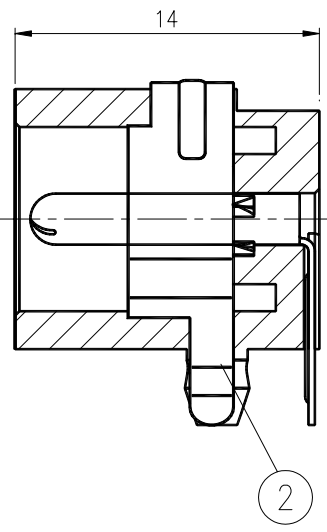
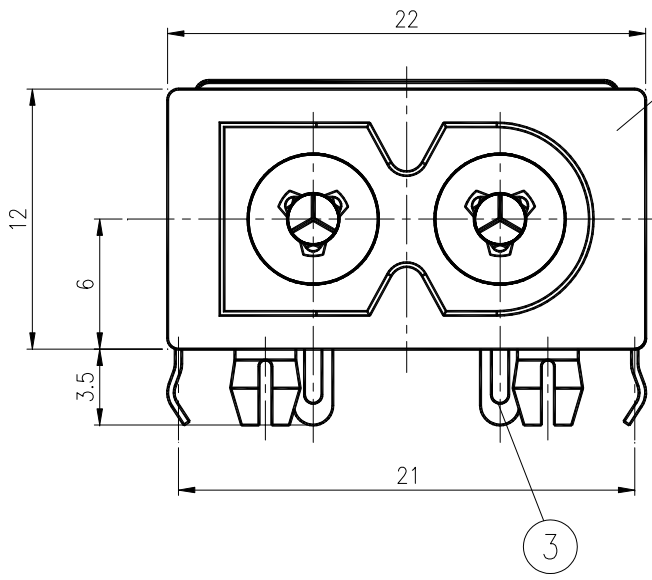
HOLE LAYOUT
 (BOTTOM VIEW)
 (TOLERANCE : ±0.1)



UNLESS OTHERWISE SPECIFIED, TOLERANCE ON DECIMAL:±0.3 ANGLES:±5°

2	PIN	2	C2680R-1/2H t=0.4	MBCu2-Sn3
1	HOUSING	1	PPO (UL94V-0)	GE N300
LTR	PART NAME	QTY	MATERIAL	REMARK
DSND	ALEX	DATE	2002.05.04	NAME AC POWER SOCKET CAT. No. HJC-038A-P DWN. No. A-038A-P
DWN	ALEX	DATE	2003.07.02	
CHKD	JOHNSON	DATE	2003.07.02	
APVD	KUNG	DATE	2003.07.04	
SINGATRON ENT. CO., LTD. (USA)				UNIT : mm 3RD ANGLE PROJECTION
				1/1 B

REVISIONS				
LTR	DESCRIPTION	DATE	REVISED	APPROVED



Note : Approved standard : UL FILE NO: E95834

CSA FILE NO: 179005 (LR80761)

Rating: AC 250V 2.5A
AC 125V 7A

HOLE LAYOUT
(BOTTOM VIEW)
(TOLERANCE : ±0.1)

3	PIN	2	C2680R-1/2H t=0.4	MBCu2-Sn3
2	METAL SHELL	1	C2680R-H t=0.3	MBCu2-Sn3
1	HOUSING	1	PPO (UL94V-0)	GE N300
LTR	PART NAME	QTY	MATERIAL	REMARK
DSND	ALEX	DATE	2002.05.04	3RD ANGLE PROJECTION
DWN	ALEX	DATE	2003.07.02	
CHKD	JOHNSON	DATE	2003.07.02	
APVD	KUNG	DATE	2003.0.04	
SINGATRON ENT. CO., LTD. (USA)				UNIT : mm
				NAME AC POWER SOCKET
				CAT. No. HJC-038A-VP
				DWN. No. A-038A-VP
				1/1
				B

UNLESS OTHERWISE SPECIFIED, TOLERANCE ON DECIMAL:±0.3 ANGLES:±5°