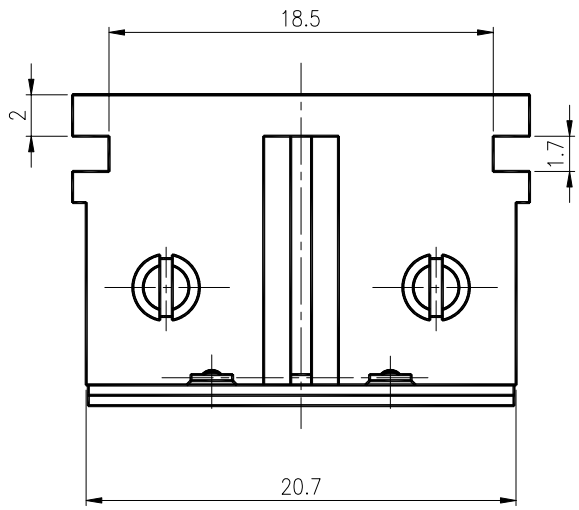
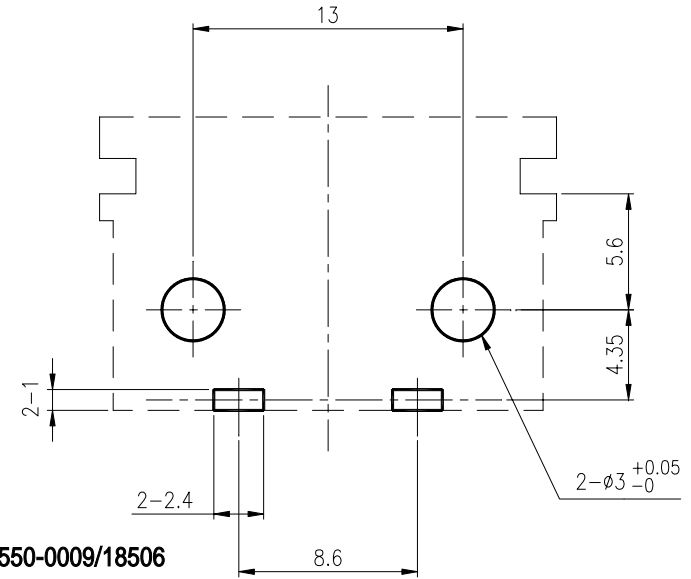
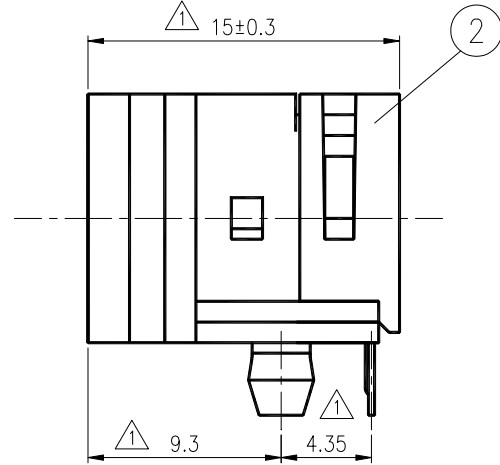
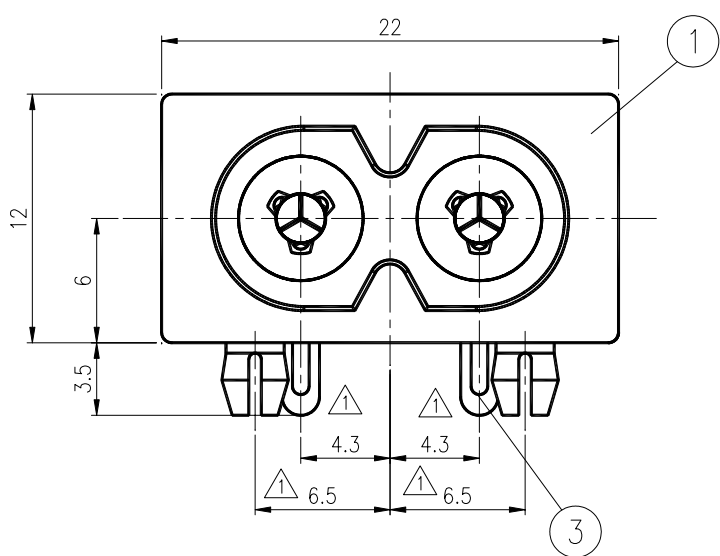


REVISIONS				
LTR	DESCRIPTION	DATE	REVISED	APPROVED
X8	客户要求新增及修改尺寸公差	2003.02.20	ALEX	JOHNSON



Note : Approved Standard : VDE FILE NO: 1550600-1550-0009/18506
SEMKO REFERENCE NO: 201439
UL & CUL FILE NO: E95834

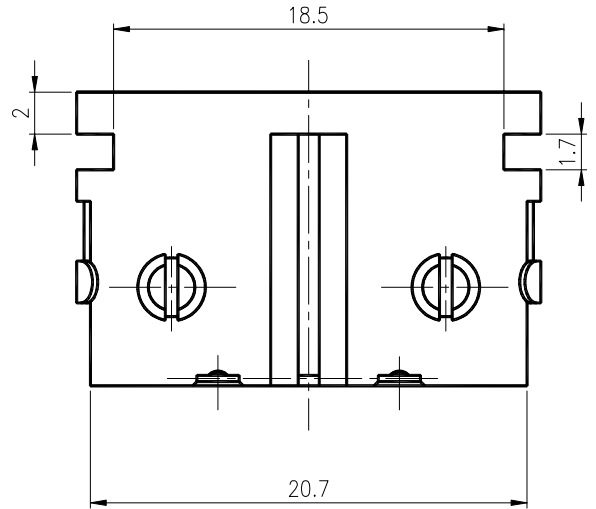
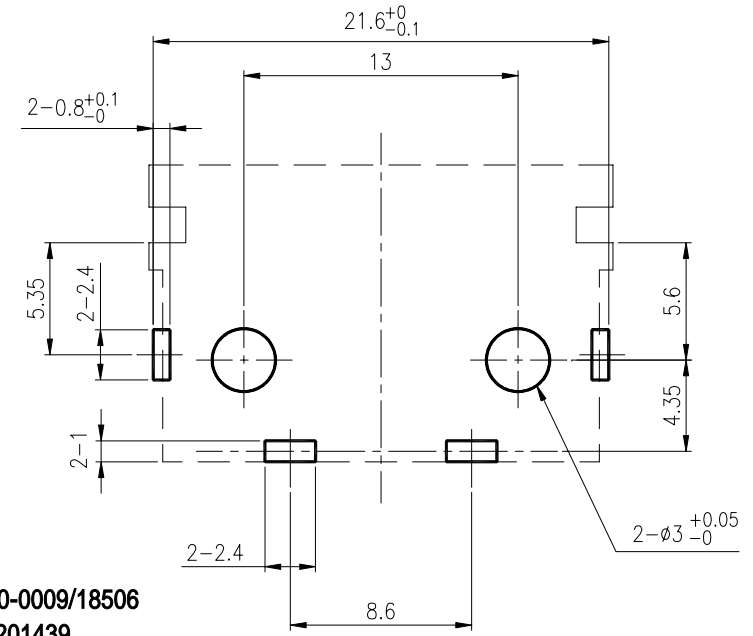
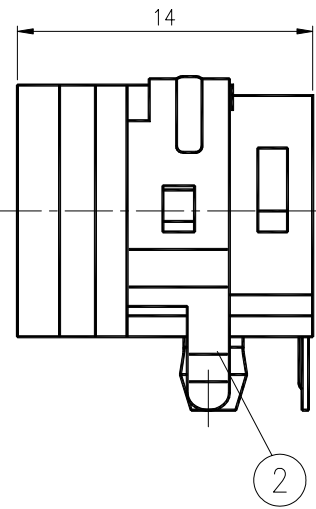
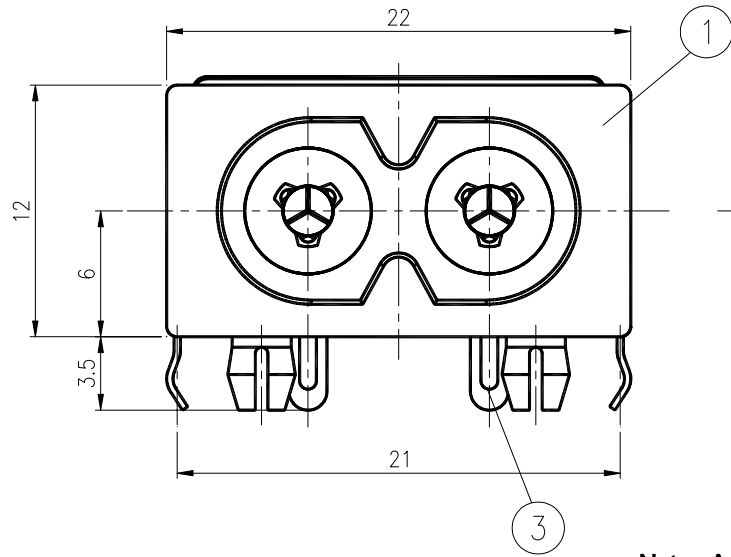
Rating: AC 250V 2.5A
AC 125V 7A

HOLE LAYOUT
(BOTTOM VIEW)
(TOLERANCE : ±0.1)

UNLESS OTHERWISE SPECIFIED, TOLERANCE ON DECIMAL: ±0.2 ANGLES: ±5°

3	PIN	2	C2680R-1/2H t=0.4	MBCu2-Sn3	
2	COVER	1	PPO (UL94V-0)	GE N300	
1	HOUSING	1	PPO (UL94V-0)	GE N300	
LTR	PART NAME	QTY	MATERIAL	REMARK	
DSND	ALEX	DATE	2002.05.04	NAME AC POWER SOCKET CAT. No. HJC-038-CP	
DWN	ALEX	DATE	2003.07.02		
CHKD	JOHNSON	DATE	2003.07.02		
APVD	KUNG	DATE	2003.07.04		
SINGATRON ENT. CO., LTD. (USA)				DWN. No. A-038-CP	1/1 B

REVISIONS				
LTR	DESCRIPTION	DATE	REVISED	APPROVED



Note : Approved Standard :

VDE FILE NO: 1550600-1550-0009/18506
SEMKO REFERENCE NO: 201439
UL & CUL FILE NO: E95834

Rating: AC 250V 2.5A
AC 125V 7A

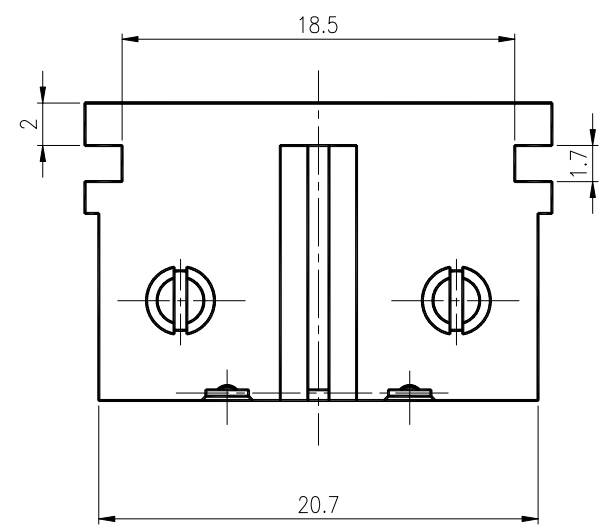
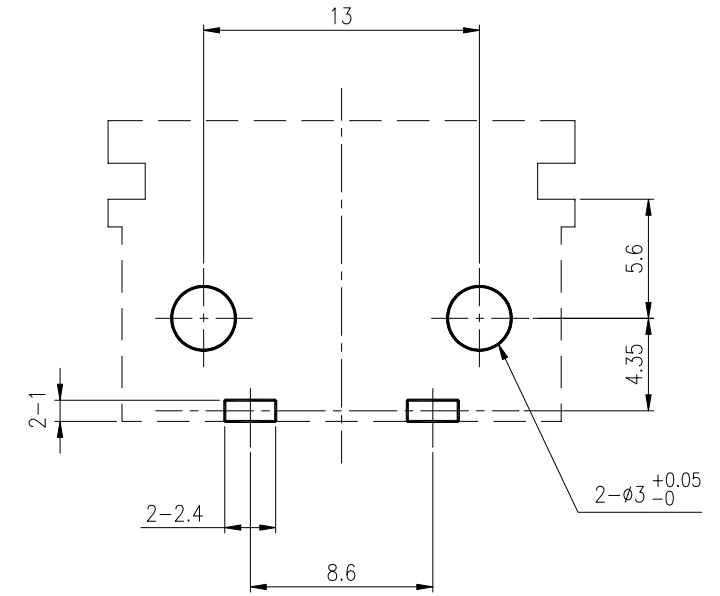
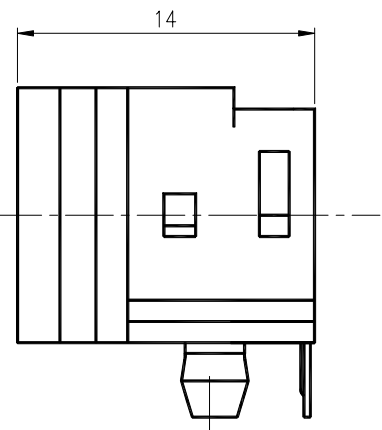
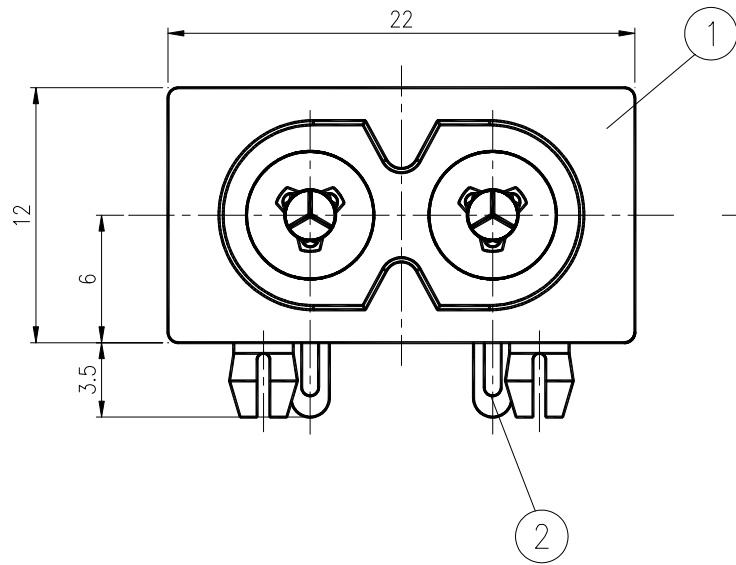
HOLE LAYOUT
(BOTTOM VIEW)
(TOLERANCE : ±0.1)

UNLESS OTHERWISE SPECIFIED, TOLERANCE ON DECIMAL: ±0.3

ANGLES: ±5°

3	PIN	2	C2680R-1/2H	t=0.4	MBCu2-Sn3	
2	METAL SHELL	1	C2680R-H	t=0.3	MBCu2-Sn3	
1	HOUSING	1	PPO (UL94V-0)		GE N300	
LTR	PART NAME	QTY	MATERIAL		REMARK	
DSND	ALEX	DATE	2002.05.04	3RD ANGLE PROJECTION	NAME	
DWN	ALEX	DATE	2003.07.02		AC POWER SOCKET	
CHKD	JOHNSON	DATE	2003.07.02		CAT. No.	
APVD	KUNG	DATE	2003.07.04		HJC-038-VP	
SINGATRON ENT. CO., LTD. (USA)					DWN. No.	1/1
					A-038-VP	B

REVISIONS				
LTR	DESCRIPTION	DATE	REVISED	APPROVED



**Rating: AC 250V 2.5A
AC 125V 7A**

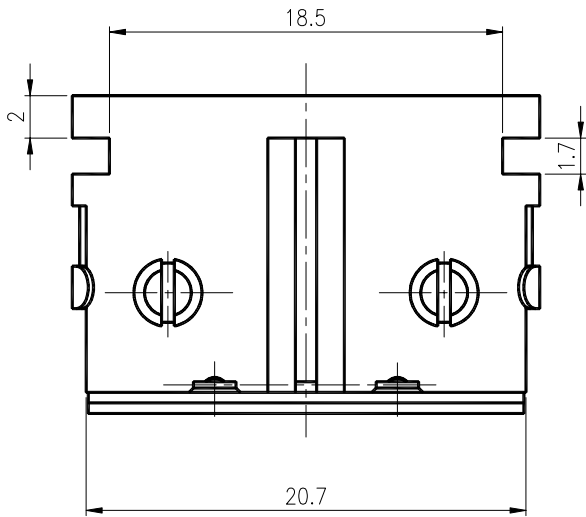
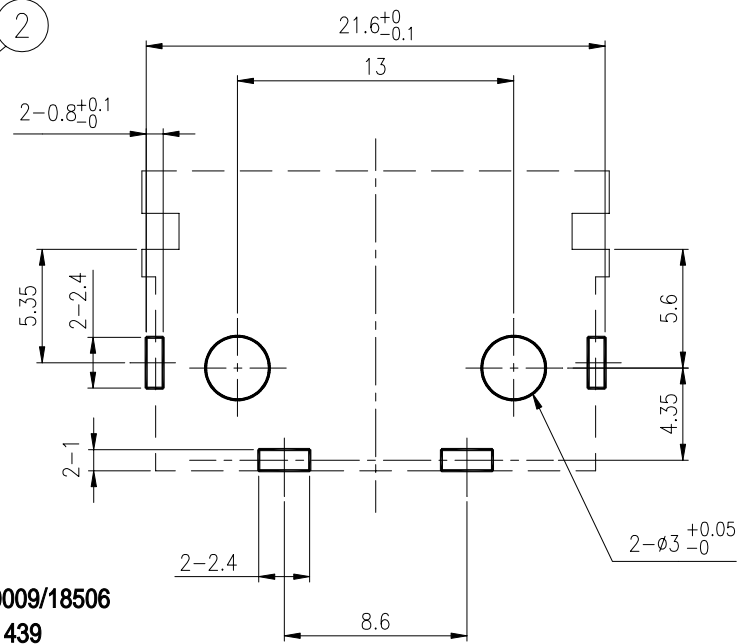
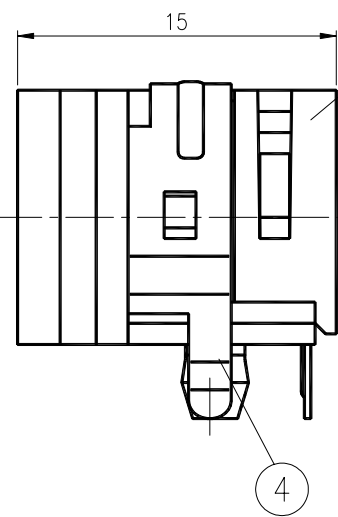
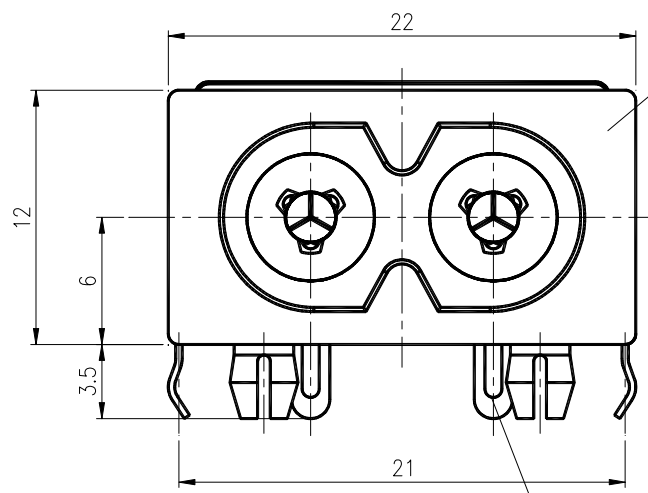
HOLE LAYOUT
(BOTTOM VIEW)
(TOLERANCE : ±0.1)

Note : Approved Standard : VDE FILE NO: 1550600-1550-0009/18506
SEMKO REFERENCE NO: 201439
UL & CUL FILE NO: E95834

UNLESS OTHERWISE SPECIFIED, TOLERANCE ON DECIMAL: ±0.3 ANGLES: ±5°

2	PIN	2	C2680R-1/2H t=0.4	MBCu2-Sn3
1	HOUSING	1	PPO (UL94V-0)	GE N300
LTR	PART NAME	QTY	MATERIAL	REMARK
DSND	ALEX	DATE	2002.05.04	NAME AC POWER SOCKET CAT. No. HJC-038-P
DWN	ALEX	DATE	2003.07.02	
CHKD	JOHNSON	DATE	2003.07.02	
APVD	KUNG	DATE	2003.07.04	
UNIT : mm				
SINGATRON ENT. CO., LTD. (USA)				DWN. No. A-038-P
				1/1 B

REVISIONS				
LTR	DESCRIPTION	DATE	REVISED	APPROVED



Note : Approved Standard :

VDE FILE NO: 1550600-1550-0009/18506
SEMKO REFERENCE NO: 201439
UL & CUL FILE NO: E95834

Rating: AC 250V 2.5A
AC 125V 7A

HOLE LAYOUT
(BOTTOM VIEW)
(TOLERANCE : ±0.1)

4	METAL SHELL	1	C2680R-H	t=0.3	MBCu2-Sn3
3	PIN	2	C2680R-1/2H	t=0.4	MBCu2-Sn3
2	COVER	1	PPO (UL94V-0)		GE N300
1	HOUSING	1	PPO (UL94V-0)		GE N300
LTR	PART NAME	QTY	MATERIAL		REMARK
DSND	ALEX	DATE	2002.05.04		NAME AC POWER SOCKET CAT. No. HJC-038-CVP DWN. No. A-038-CVP
DWN	ALEX	DATE	2003.07.02		
CHKD	JOHNSON	DATE	2003.07.02		
APVD	KUNG	DATE	2003.07.04		
SINGATRON ENT. CO., LTD. (USA)					UNIT : mm
					1/1 B

UNLESS OTHERWISE SPECIFIED, TOLERANCE ON DECIMAL:±0.3

ANGLES:±5°