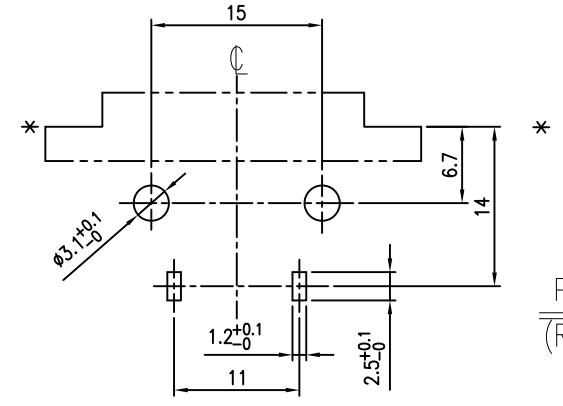
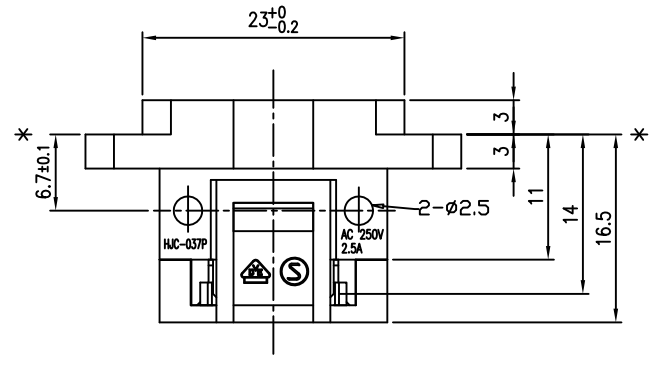
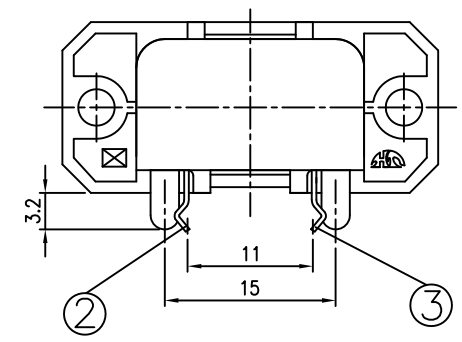
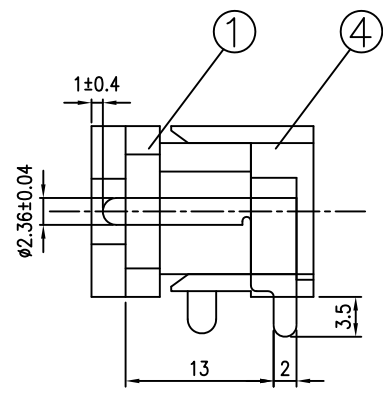
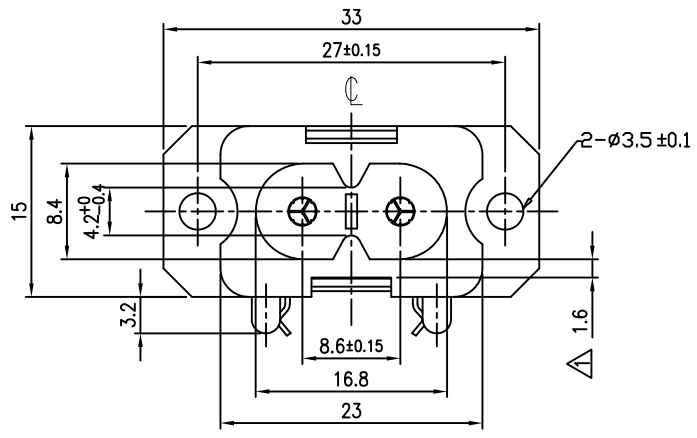


REVISIONS					
LTR	DESCRIPTION	DATE	REV.	CHKD.	APVD.
△x1	修改材料厚度1.2 → 1.6符合VDE規範	2002.10.30	ALEX		JOHNSON
△x1	更正產品VDE編號C03090087	2009.05.14	LORNA	ALLAN	DICK
△x2	Change VDE/SEMKO reference NO.(ECR:C03100226)	2010.07.26	RMX	ALLAN	Helen Kuo



P.C.B Layout Dimension (Tolerance:±0.1)
(Recommend min.Dimension)(bottom view)

Note : Approved Standard:

VDE FILE NO. : 1550600-1550-0008/106979 △ △

SEMKO FILE NO: 200730 △

4	COVER	1	PPO(N300) UL-94V-0	BLACK
3	PIN	1	C2680R t=0.4	MBCu Sn PLATED
2	PIN	1	C2680R t=0.4	MBCu Sn PLATED
1	HOUSING	1	PPO(N300) UL-94V-0	BLACK
LTR	PART NO.	QTY	MATERIAL	REMARK

120~315	±0.5	DWN	ALEX SU	DATE	2002.03.20	SCALE N/A	NAME AC POWER SOCKET	
30~120	±0.35	DSND	ALEX SU	DATE	2003.02.20			
6~30	±0.22	CHKD	JOHNSON	DATE	2003.02.20	PROJECTION ⊕ ⊖	CAT NO. HJC-037P	
BELOW 6	±0.16	APVD	ERIC	DATE	2003.02.20			UNIT: mm
DIMENSION	TOLERANCE	SINGATRON U.S.A.					DWN.NO.	1/1 C
							A-037P	

UNLESS OTHERWISE SPECIFIED, TOLERANCE ON DECIMAL:±0.3 ANGLES:±5°