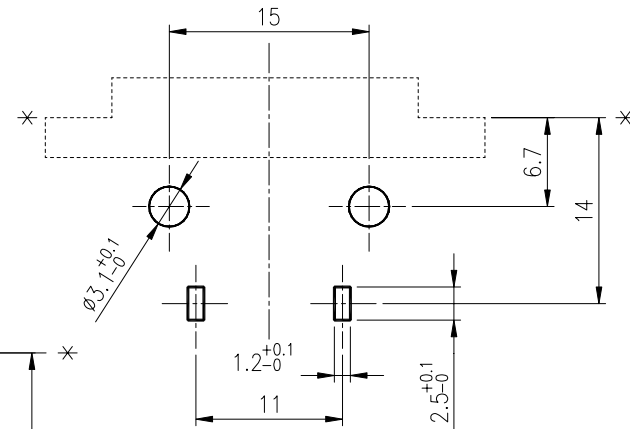
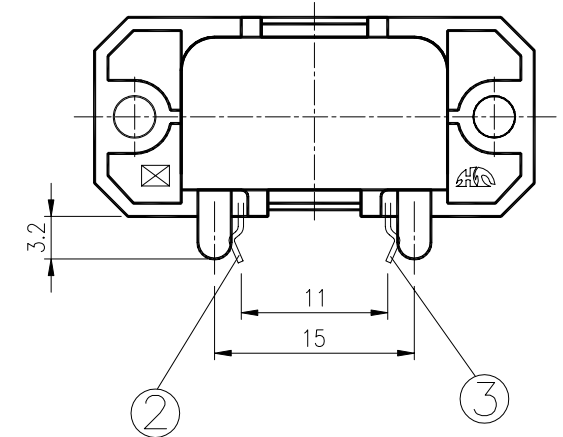
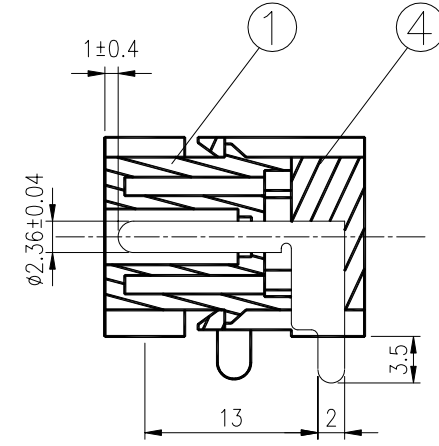
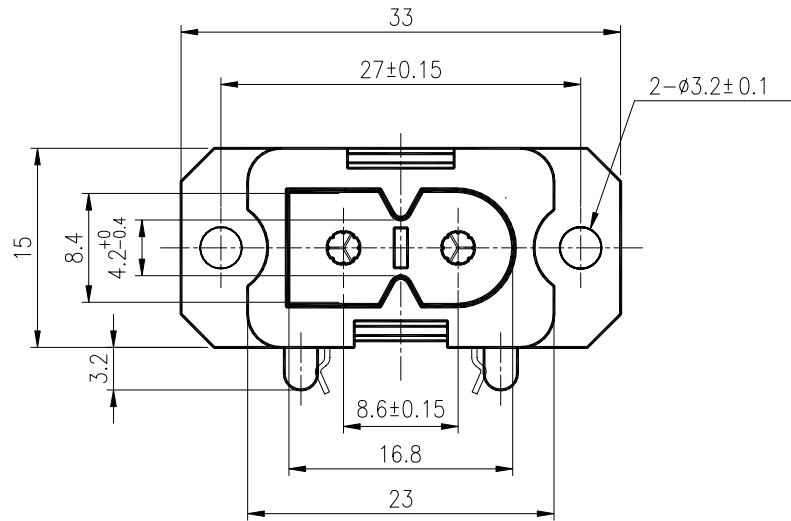
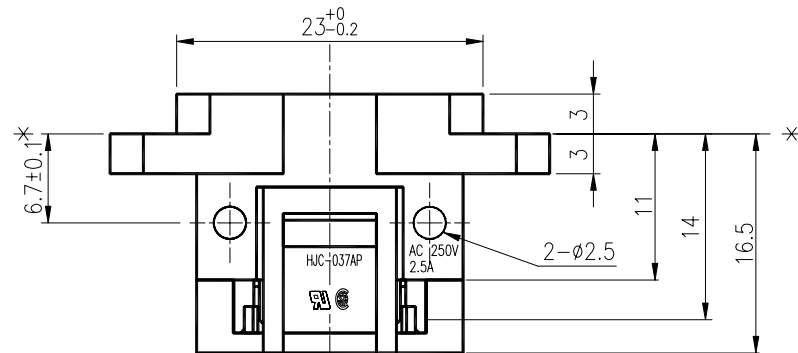


REVISIONS

LTR	DESCRIPTION	DATE	REVISED	APPROVED
-----	-------------	------	---------	----------



PCB. HOLES LAYOUT
TOLERANCE: ±0.1 t=1.6



Note : Approved standard : UL FILE NO: E95834

CSA FILE NO: 179005 (LR80761)

UNLESS OTHERWISE SPECIFIED, TOLERANCE ON DECIMAL: ±0.3: ANGLES: ±5°

4	COVER	1	PPO (UL-94V-0)	GE N300
3	PIN	1	C2680-1/2H t=0.4	MB:Cu Sn
2	PIN	1	C2680-1/2H t=0.4	MB:Cu Sn
1	HOUSING	1	PPO (UL94V-0)	GE N300
LTR	PART NAME	QTY	MATERIAL	REMARK
DSND	ALEX	DATE	2002.03.20	3RD ANGLE PROJECTION
DWN	ALEX	DATE	2002.07.26	
CHKD	JOHNSON	DATE	2002.07.26	
APVD	KUNG	DATE	2002.07.26	
UNIT : mm				HJC-037AP
SINGATRON ENT. CO., LTD. (USA)				DWN. No.
				A-037AP
				002