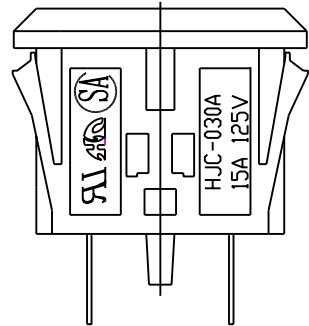
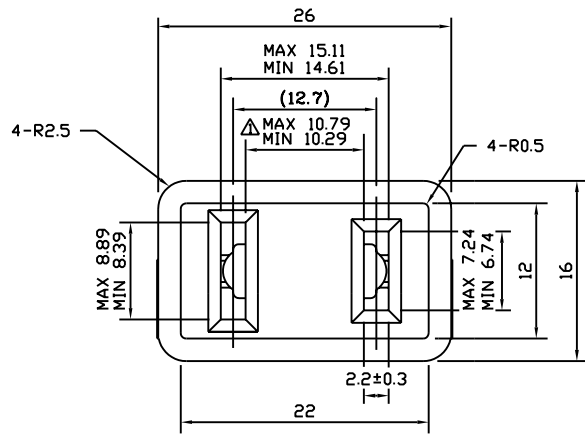
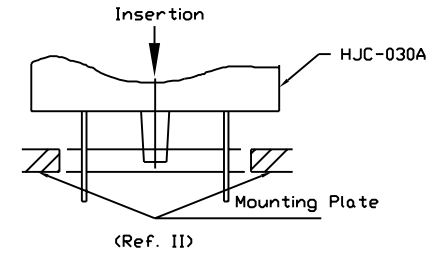
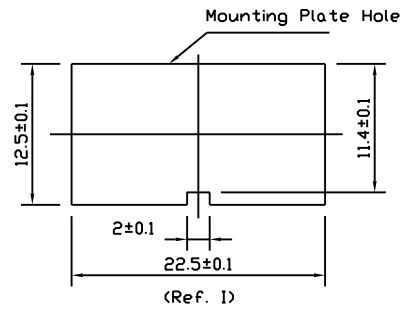
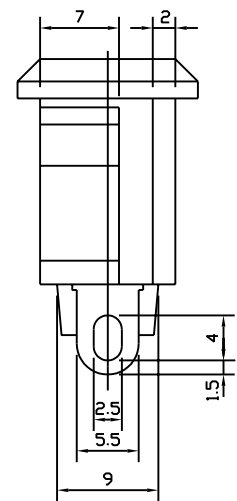
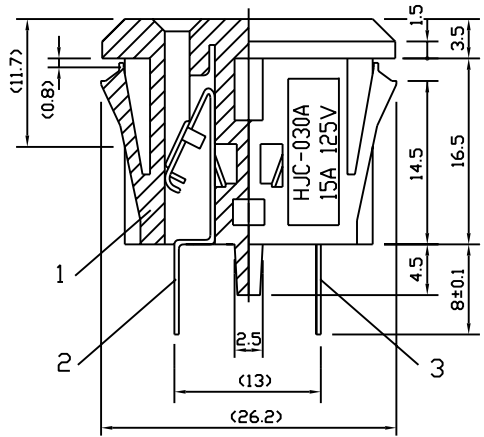
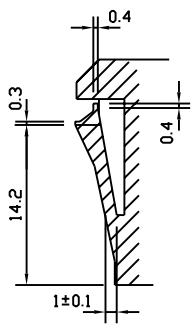


REVISIONS				
LTR	DESCRIPTION	DATE	REVISED	APPROVED
Δx1	標註錯誤,更正	1999.01.16	H.Y.CHOU	

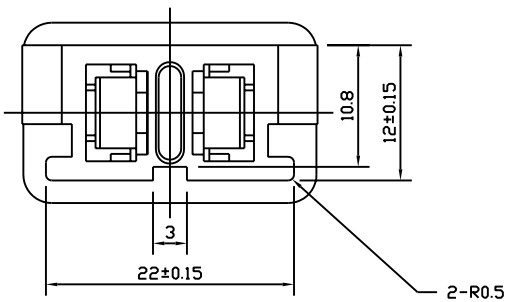


Characteristic :

1. Rating : AC 125V 15A
2. Contact Resistance : 50m Ωms Max
3. Insulation Resistance : 100M Ωms At DC 500V
4. Insulation Withstand Voltage :  
AC 2000V r.m.s. For One Minute
5. Terminal Strength : 5kgs At One Minute
6. Insertion And Withdrawl Force :  
A. Insertion Force : 6kgs Max  
B. Withdrawl Force : 1.36-6 kgs
7. Life Test : 5000 Cycles MIN
8. Approved Standard : UL File No E105348  
CSA File No LR80761



Material of Mounting Plate : Metal  
Thickness of Mounting Plate : 0.8-1.2 mm



3	CONTACT B	1	C5191	t=0.4	MB : Cu ,PB-sN	PLATED
2	CONTACT A	1	C5191	t=0.4	MB : Cu ,PB-sN	PLATED
1	HOUSING	1	PPD		<SE-100J>	
LTR	PART NAME	QTY	MATERIAL(THICK,COLOR)		REMARK	
DWN	C.W.FENG	DATE	1991.11.05	SCALE	2/1	
DSND	H,Y,CHOU	DATE	1999.01.16	3RD ANGLE PROJECTION	NAME AC POWER SOCKET	
CHKD		DATE		UNIT: mm	CAT. NO. HJC-030A	
APVD		DATE			DWN.NO. A-030A	
<b>SINGATRON (USA)</b>					1001	

UNLESS OTHERWISE SPECIFIED, TOLERANCE ON DECIMAL: ±0.3 FRACTIONS: ANGLES: