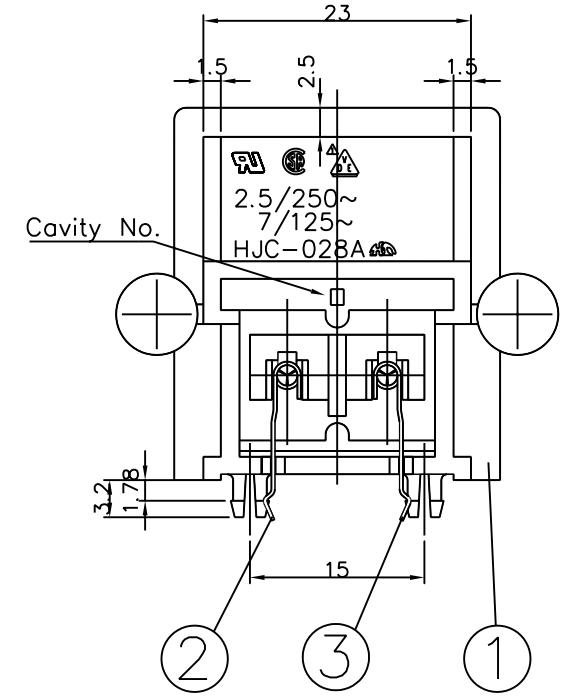
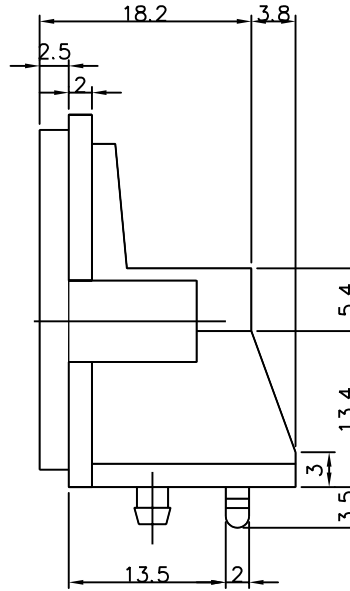
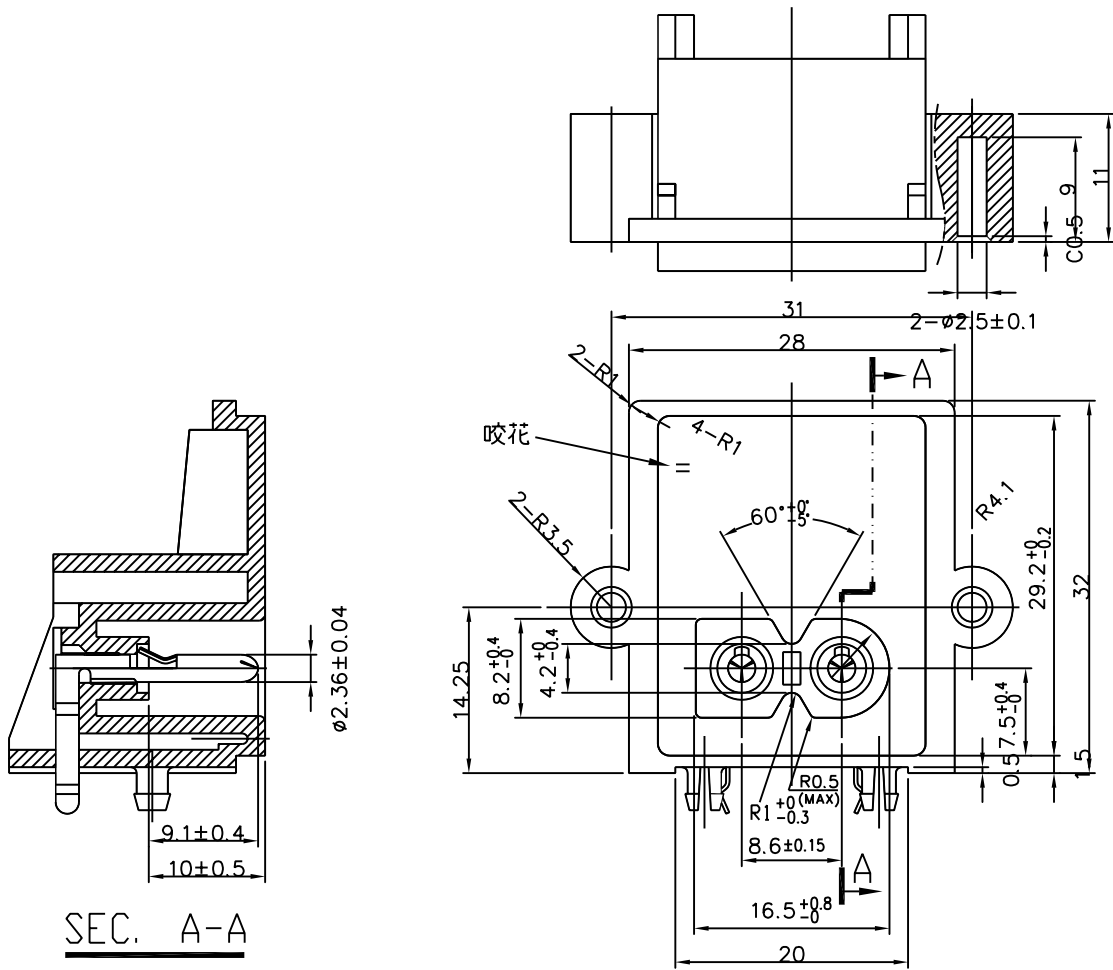
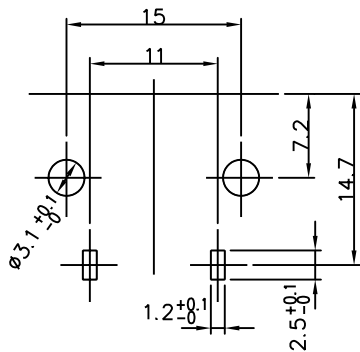


REVISIONS

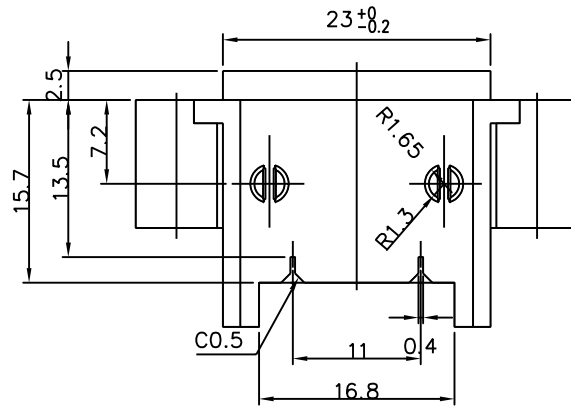
LTR	DESCRIPTION	DATE	REVISED	APPROVED
△x1	加 "VDE" MARK 及認證編號	'01,09,08	MAISIE	JOHNSON



SEC. A-A



PCB. HOLES LAYOUT
T=1.6 mm



UNLESS OTHERWISE SPECIFIED, TOLERANCE ON DECIMAL: ±0.3 FRACTIONS: ANGLES:

△VDE FILE No.15506-1550-0005

Note : Approved Standard : UL FILE No. E95834

CSA FILE No. 179005(LR80761)

3	PIN-2	1	C2680	;t=0.3	MB:Cu	Pb/Sn	PLATED
2	PIN-1	1	C2680	;t=0.3	MB:Cu	Pb/Sn	PLATED
1	HOUSING	1	PPO.(BLOCK)		UL-94V-1		
LTR	PART NAME	QTY	MATERIAL(THICK,COLOR)		REMARK		
DSND	CHRISTINA	DATE	2001,01,04	SCALE 2/1	NAME		
DWN	MAISIE	DATE	2001.09.08	3RD ANGLE PROJECTION	AC POWER SOCKET		
CHKD	JOHNSON	DATE	2002.04.09		CAT. NO.		
APVD	KUNG	DATE	2002.04.09	UNIT: mm	HJC-028A		

SINGATRON (USA)

DWN.NO.
A-028A