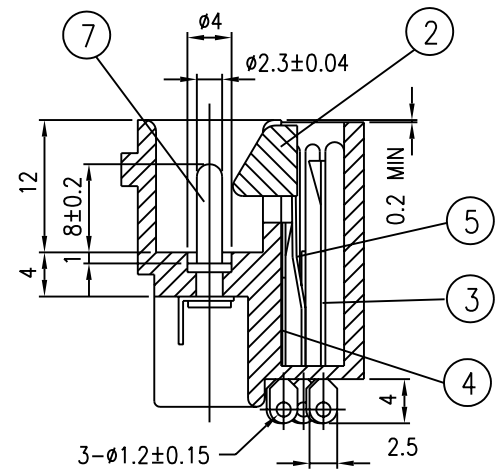
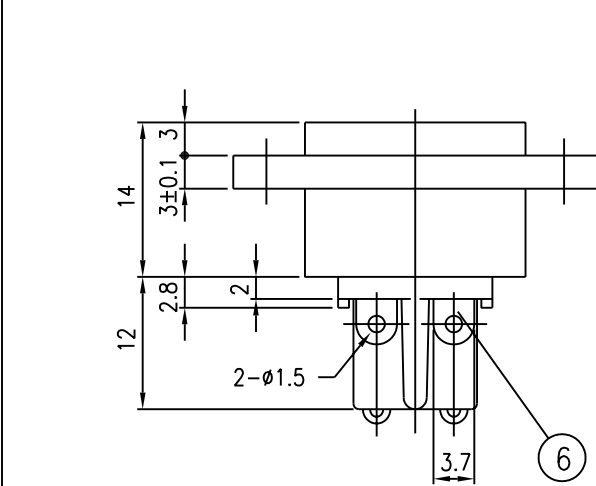
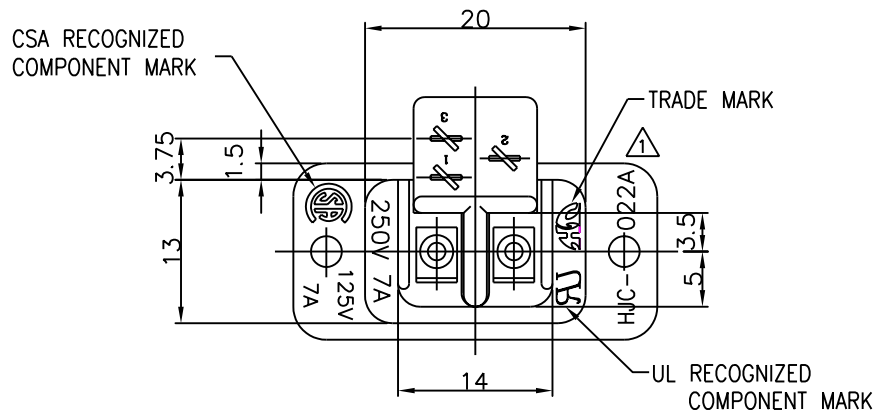
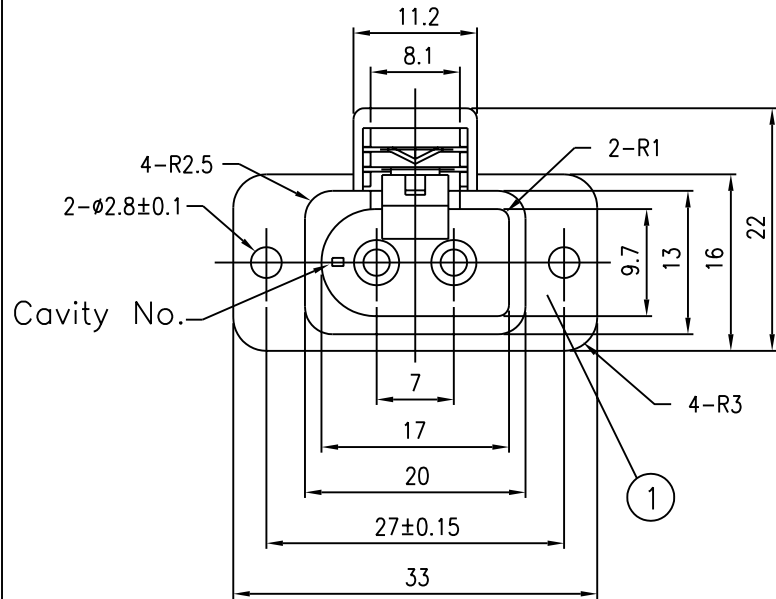


REVISIONS				
LTR	DESCRIPTION	DATE	REVISED	APPROVED
△X1	修正刻字,原HJ修正為 HJC-	'97,10,14		



Note : Approved Standard : UL FILE No. : E95834
CSA FILE No. : LR80761-5

7	PIN	2	C3101	MB:Cu Ni PLATED	
6	TERMINAL	2	C2680 ; t=0.4	MB:Cu Pb/Sn PLATED	
5	TIP SPRING	1	C5210 ; t=0.35	MB:Cu Ag PLATED	
4	SHUNT SPRING	1	C2680 ; t=0.3	MB:Cu Ag PLATED	
3	SHUNT SPRING	1	C2680 ; t=0.4	MB:Cu Ag PLATED	
2	SEPARATOR	1	PBT (BLACK)		
1	HOUSING	1	PBT+15%GF (BLACK)		
LTR	PART NAME	QTY	MATERIAL(THICK,COLOR)	REMARK	
DSND	M.L.CHANG	DATE	1992.11.25	SCALE 2/1	NAME
DWN		DATE		3RD ANGLE PROJECTION	AC POWER SOCKET
CHKD		DATE		UNIT: mm	CAT. NO.
APVD		DATE			HJC-022A
SINGATRON (USA)					DWN.NO.
					A-022A 002

UNLESS OTHERWISE SPECIFIED, TOLERANCE ON DECIMAL: ± 0.3 FRACTIONS: ANGLES: