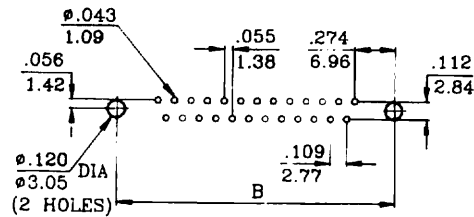
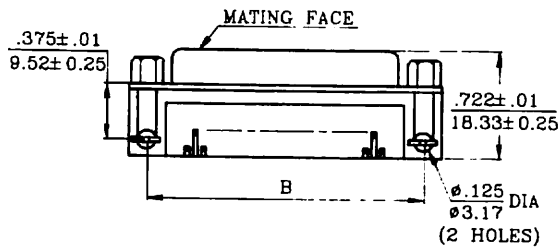
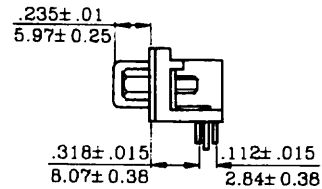
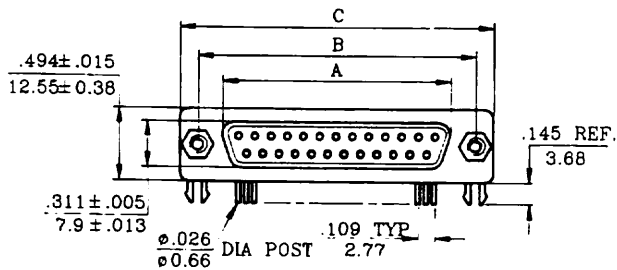
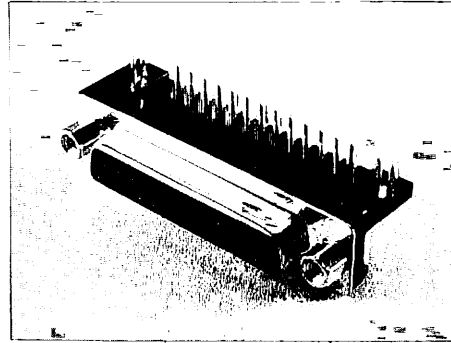


# DR SERIES

## D-SUB CONNECTOR, RIGHT ANGLE TYPE 0.318" FOOTPRINT



### PCB HOLE PATTERNS

#### DIMENSIONS

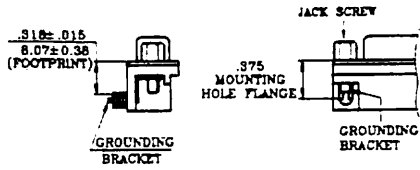
SHELL SIZE	A	B	C
	.010 0.25	.005 0.13	.015 0.38
9 (E)	0.643 16.33	0.984 24.99	1.213 30.81
15 (A)	0.971 24.66	1.312 33.32	1.541 39.14
19 (G)	1.208 30.68	1.526 38.76	1.764 44.81
23 (F)	1.401 35.60	1.751 44.48	1.980 50.30
25 (B)	1.511 38.38	1.852 47.04	2.088 53.04
37 (C)	2.159 54.84	2.500 63.50	2.729 69.32
50 (D)	2.064 52.43	2.406 61.11	2.635 66.93

• MOUNTING OPTIONS:  
SEE PAGE 26, 27

# MOUNTING OPTION

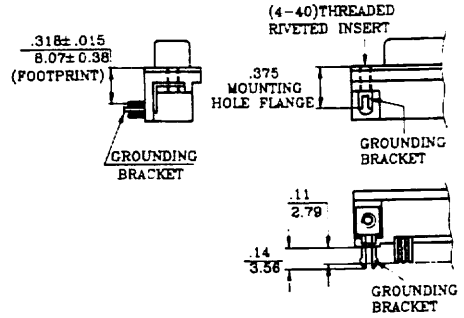
## OPTION X

WITH GROUNDING BRACKETS (LOCKING TYPE), AND JACK SCREWS ASSEMBLED TO CONNECTOR



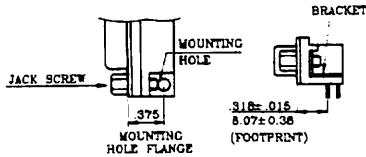
## OPTION N

WITH GROUNDING BRACKETS (LOCKING TYPE) AND WITH RIVETED THREADED INSERTS



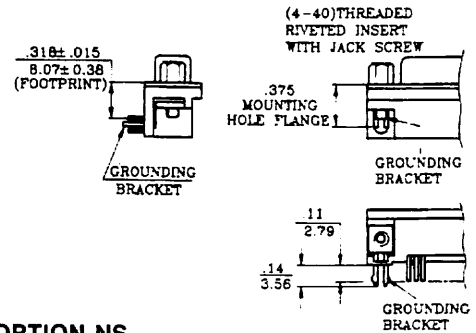
## OPTION I

WITH .130 DIAMETER NON-THREADED MOUNTING HOLES, AND WITH JACK SCREWS



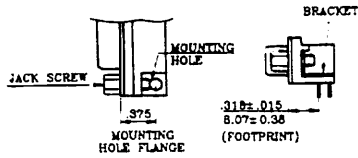
## OPTION NJ

WITH GROUNDING BRACKETS (LOCKING TYPE) WITH RIVETED THREADED INSERTS AND JACK SCREWS ASSEMBLED TO CONNECTOR



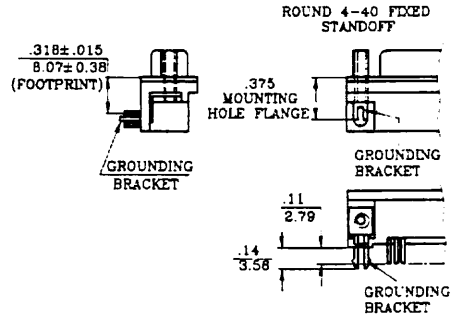
## OPTION J

WITH 4-40 T-THREADED MOUNTING HOLES AND WITH JACK SCREWS



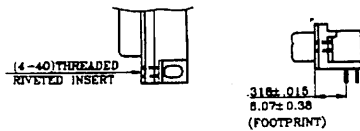
## OPTION NS

WITH GROUNDING BRACKETS (LOCKING TYPE) AND WITH ROUND 4-40 FIXED STANDOFF



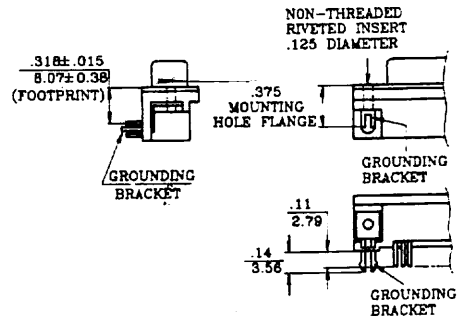
## OPTION G

WITH RIVETED THREADED INSERTS



## OPTION NT

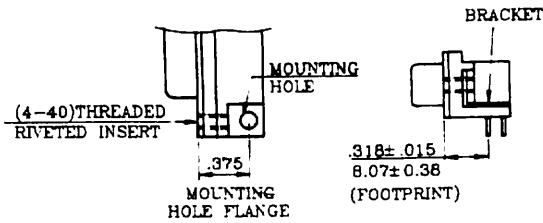
WITH GROUNDING BRACKETS (LOCKING TYPE) AND WITH .125 DIAMETER NON-THREADED RIVETED INSERTS



# MOUNTING OPTION

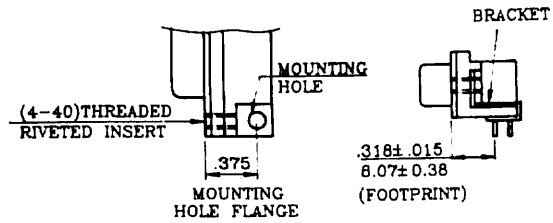
## OPTION H

WITH .125 DIAMETER NON-THREADED MOUNTING HOLES AND WITH RIVETED THREADED INSERTS



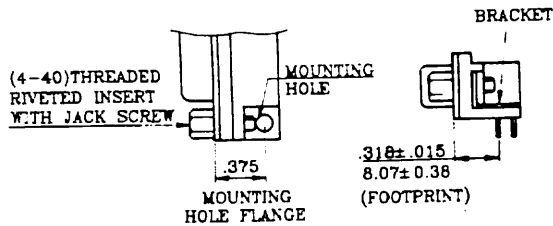
## OPTION O

WITH GROUNDING STRAPS WITH .125 DIAMETER NON-THREADED MOUNTING HOLES AND WITH RIVETED THREADED INSERTS



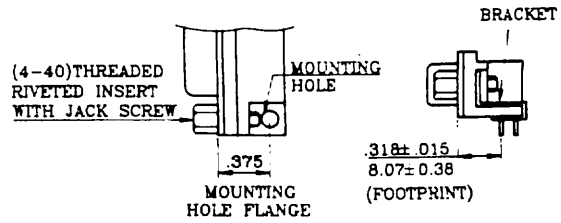
## OPTION HJ

WITH .125 DIAMETER NON-THREADED MOUNTING HOLES WITH RIVETED THREADED INSERTS AND JACK SCREWS ASSEMBLED TO CONNECTOR



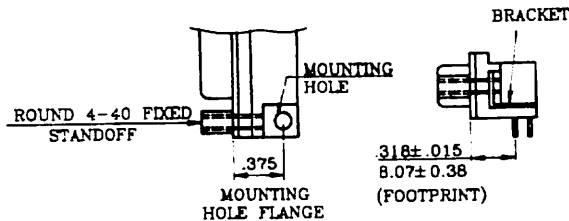
## OPTION OJ

WITH GROUNDING STRAPS WITH .125 DIAMETER NON-THREADED MOUNTING HOLES WITH RIVETED THREADED INSERTS AND JACK SCREWS ASSEMBLED TO CONNECTOR



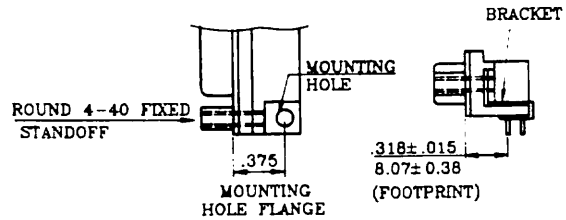
## OPTION HS

WITH .125 DIAMETER NON-THREADED MOUNTING HOLES AND WITH ROUND 4-40 FIXED STANDOFF



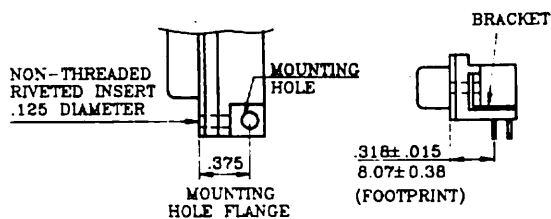
## OPTION OS

WITH GROUNDING STRAPS WITH .125 DIAMETER NON-THREADED MOUNTING HOLES AND WITH ROUND 4-40 FIXED STANDOFF



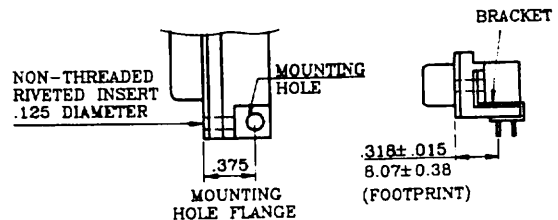
## OPTION HT

WITH .125 DIAMETER NON-THREADED MOUNTING HOLES AND WITH .125 DIAMETER NON-THREADED RIVETED INSERTS



## OPTION OT

WITH GROUNDING STRAPS WITH .125 DIAMETER NON-THREADED MOUNTING HOLES AND WITH .125 DIAMETER NON-THREADED RIVETED INSERTS



# HOW TO ORDER

$\frac{DR}{1} - \frac{A}{2} \frac{15}{3} \frac{S}{4} - \frac{NJ}{5} - \frac{0}{6} \frac{0}{7} \frac{0}{8} - \frac{C}{9}$

$\frac{DP}{1} - \frac{E}{2} \frac{9}{3} \frac{S}{4} / \frac{E}{2} \frac{15}{3} \frac{S}{4} - \frac{ANJ}{5} - \frac{0}{6} \frac{0}{7} \frac{0}{8} - \frac{C}{9}$  (DUAL PORT ONLY)

TOP  
CONNECTOR

BOTTOM  
CONNECTOR

## 1. SERIES

## 2. SHELL SIZE

E - - - - - 9	B - - - - - 25
A - - - - - 15	C - - - - - 37
G - - - - - 19	D - - - - - 50
F - - - - - 23	

## 3. NO. OF CONTACTS

9, 15, 19, 23, 25, 26, 37, 44, 50, 62, 78, 104

## 4. CONTACT TYPE

P : PIN CONTACT (PLUG), BRASS  
S : SOCKET CONTACT (RECEPTACLE), PHOSPHOR BRONZE  
SB : SOCKET CONTACT (RECEPTACLE), BRASS

## 5. MOUNTING OPTIONS

## 6. CONTACT FINISH

0: GOLD FLASH	4: 15 $\mu''$
1: SELECTIVE GOLD FLASH	5: 20 $\mu''$
2: 5 $\mu''$	6: 30 $\mu''$
3: 10 $\mu''$	

## 7. INSULATOR COLOR

0: BLACK	2: BLUE
1: WHITE	3: GREY

## 8. SHELL PLATED

0: TIN	2: ZINC
1: NICKEL	3: ALL PLASTIC

## 9. CUSTOMER'S DESIGN

---

## FEATURES

- MEETS EIA, RS232C AND RS449 STANDARDS FOR DATA COMMUNICATION INPUT/OUTPUT CONNECTORS
- BRIGHT TIN SHELLS FOR EXCEPTIONAL CONDUCTIVITY AND GROUNDING
- INDENTATIONS (DIMPLES) FOR EXCEPTIONAL GROUNDING AND MATING RETENTION
- D SHAPE CONNECTOR MATING AND POLARIZATION
- SEVEN (7) SHELL SIZES
- FIVE (5) TYPES OF CONTACT TERMINATION, SOLDER CUP, SOLDER DIP, CRIMP, IDC AND RIGHT ANGLE
- TWO (2) TYPES OF CONTACT CONSTRUCTION, PRECISION MACHINED OR PRECISION FORMED
- ACCESSORIES ARE AVAILABLE

## PERFORMANCE SPECIFICATIONS

### MATERIALS AND FINISH

#### SHELL

STEEL MATERIAL, TIN FINISH AND IDENTIFICATIONS (DIMPLES) ON PLUG ONLY

#### INSERT

PBT THERMO PLASTIC, BLACK COLOR, 30% GLASS FILLED SELF EXTINGUISHING, 94V-0 RATED

#### CONTACT MATERIAL

PIN : BRASS  
SOCKET: PHOSPHOR BRONZE OR BRASS

### MECHANICAL CHARACTERISTICS

#### CONTACT RETENTION

PRECISION MACHINED CONTACT 10 LBS  
PRECISION FORMED CONTACT 10 LBS

#### CONTACT SEPARATION FORCE

4 OUNCES MIN

### ELECTRICAL CHARACTERISTICS

#### CONTACT CURRENT RATING

PRECISION MACHINED CONTACT 7.6 AMPS (WITH 20 AWG WIRE)  
PRECISION FORMED CONTACT 5.0 AMPS (WITH 20 AWG WIRE)

#### CONTACT RESISTANCE

PRECISION MACHINED CONTACT  
5 MILLIOHMS MAX  
PRECISION FORMED CONTACT  
8 MILLIOHMS MAX

### MILITARY AND FEDERAL SPECIFICATIONS

ASTM-B633	ZINC PLATING
QQ-B750	PHOSPHOR BRONZE
QQ-N-290	NICKEL PLATING
QQ-S-698	STEEL

#### CONTACT FINISH

GOLD FLASH OVER 100 MICRO INCH  
NICKEL ON ENTIRE CONTACT AREA.

#### GROUNDING BRACKET

BRASS MATERIAL, TIN FINISH

#### RIVETED INSERT

BRASS MATERIAL, NICKEL FINISH

#### JACK SCREW

BRASS MATERIAL,

#### CONTACT ENGAGEMENT FORCE

9 OUNCES MAX

#### DIELECTRIC WITHSTANDING VOLTAGE

1000 VAC MIN

#### INSULATION RESISTANCE

5000 MEGOHMS MIN

#### TEMPERATURE RATING

- 55 ~ + 125 °C

MIL-C-50	BRASS
MIL-C-576	COPPER
MIL-G-45204	GOLD PLATING
MIL-T-10727	TIN PLATING