

Modular Telephone Plug

Conductor

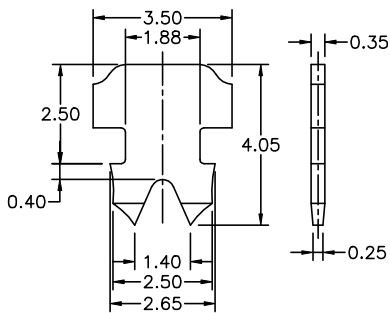
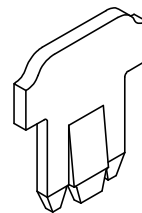
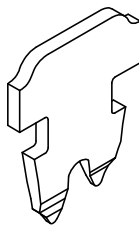
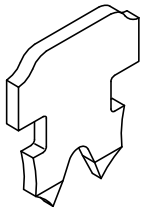
Specification:

- * Voltage Rating: 250V AC
- * Current Rating: 2A
- * Insulation Resistance: 500 M Ω
- * Termination Resistance: 35 M Ω
- * Operating Temperature: -40°C to +125°C

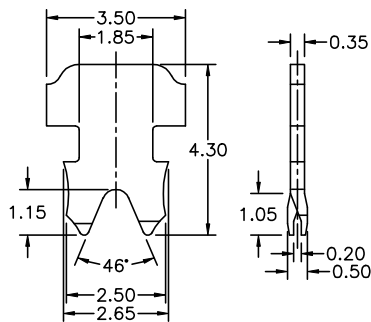
Material and Finish:

- * Housing: Polycarbonate (PC.) UL94V-0.
- * Contact: High Strength Copper Alloy, Gold Plated over 50u" Nickel.

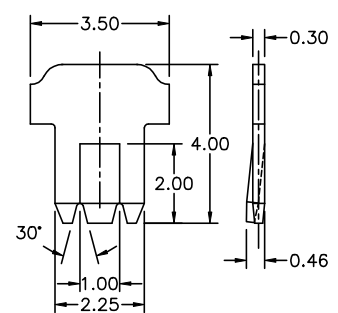
Gold Plating Conductors



for Stranded Wire



2 Prongs Contacts
for Solid Wire



3 Prongs Contacts
for Solid Wire