

2.54mm (0.1") Female Header

(Parallel Board to Board Interconnection)

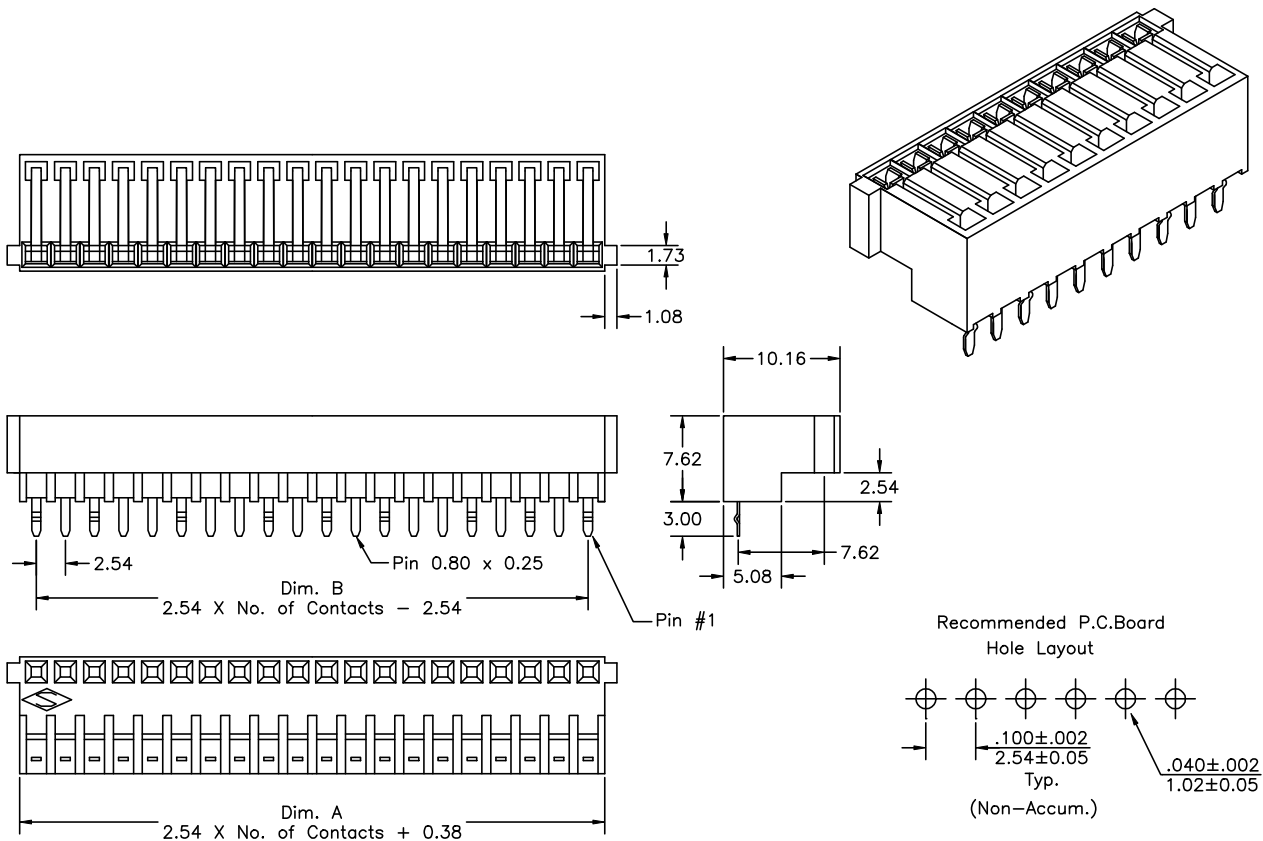
CHS Series

APPLICATION AND FEATURES

1. Mating with 0.64mm(0.025") square pin header.
2. Applicable P.C.Board thickness : 0.062"/±0.005".
3. Board retention using kinked tails for different circuits & pin location.
4. Mates with P.C.Board connectors such as 2201 series.

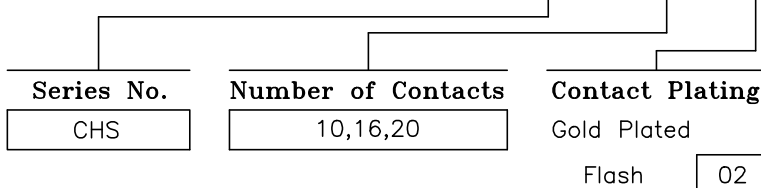
SPECIFICATIONS

Current Rating: 3 Amps
 Insulator resistance: 5000 Megohms min.
 Contact resistance: 20 Megohms max.
 Dielectric withstanding: AC 500 V
 Operating Temperature: -40° to +105°C
 Contact Material: Phosphor bronze
 Insulator Material: PBT+30% Glass Fiber, UL 94V-0



Order Information CHS Series

Example: CHS-20-02



DIMENSIONAL INFORMATION

CURCUITS	DIM. A	DIM. B
10	25.78	22.86
16	41.02	38.10
20	51.18	48.26

CURCUITS	KINKED TAILS LOCATION
10	PIN#1,3,8,10
16	PIN#1,4,9,13,16
20	PIN#1,3,5,8,10,12,15,18,20