

2.50mm (0.098") Pin Housing

CH Series

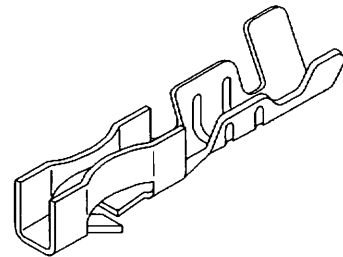
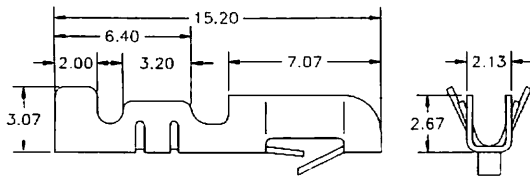
FEATURES

4&6 Circuits
 Post: Brass, Copper-Undercoated,
 Tin/Lead-Plated
 Wafer: Nylon, UL 94V-0

SPECIFICATIONS

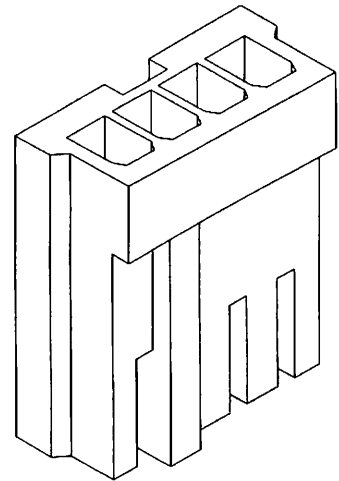
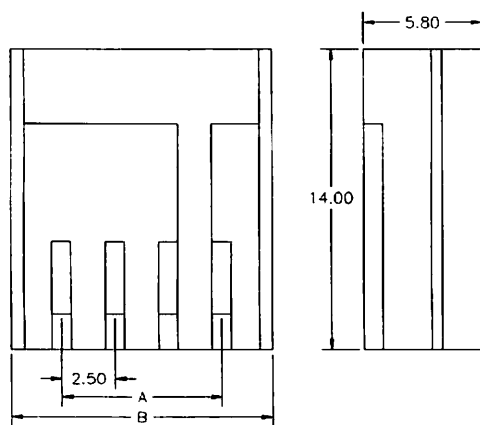
Current Rating: 3A AC DC
 Voltage Rating: 250V AC Maximum
 Temperature Range: -25°C~+90°C
 Contact Resistance: Initial Value/10 m ohm max
 After Environmental Testing
 /20 m ohm min
 Insulation Resistance: 1000 M ohm min
 Withstand Voltage: 1500V AC/minute
 P.C.Board Thickness: 1.6mm(.063")

Contact



Model No.	Applicable Wire			Material	Finish
	mm ²	AWG #	Insulation O.D.		
CH-C-2	0.08 to 0.22	32 to 24	0.9 to 1.5	Phosphor Bronze	Tin-Plated
CH-C-4	0.032 to 0.08	32 to 28	0.5 to 0.9		

Housing



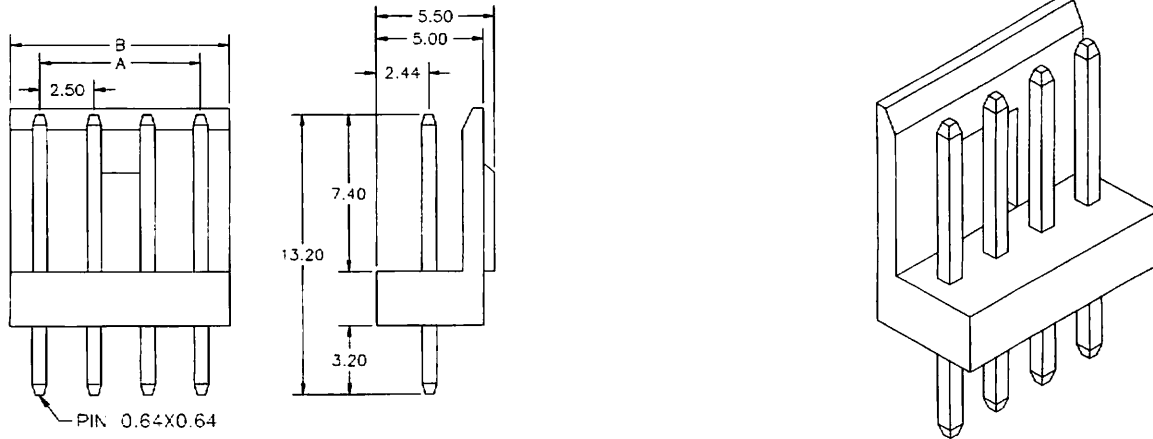
Circuits	Model No.	Dimension mm	
		A	B
4	CH-H- 4	7.5	12.30
6	CH-H- 6	12.5	17.30

SINGATRON ENT. CO., LTD. Tel.: (909) 464-1883 Fax.: (909) 464-1884

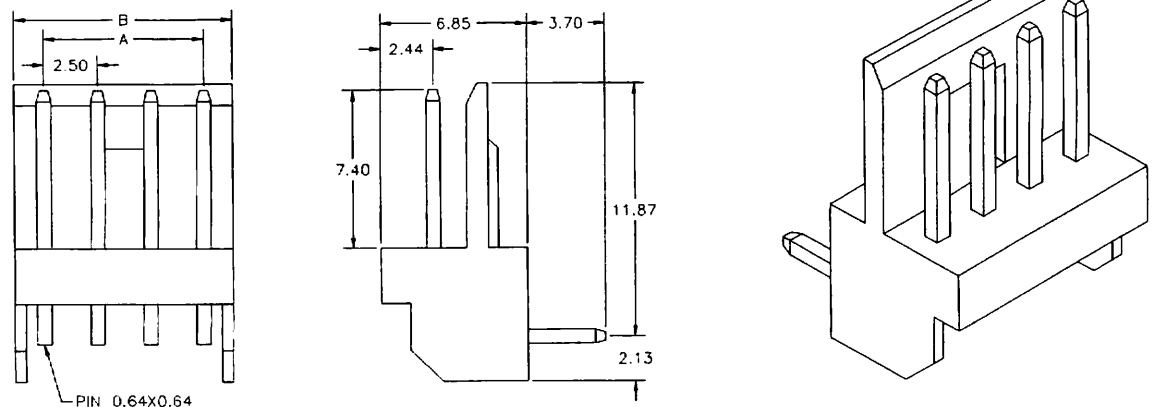
2.50mm (0.098") Pin Wafer

CH Series

Top Entry Type



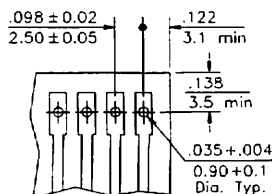
Side Entry Type



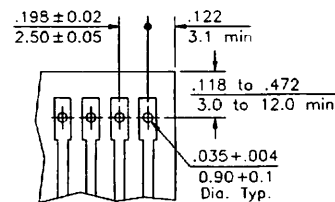
Circuits	Model No.		Dimension mm	
	Top Entry	Side Entry	A	B
4	CH-T- 4	CH-S- 4	7.5	15.6
6	CH-T- 6	CH-S- 6	12.5	20.6

DIP Type P.C.Board Layout

Top Entry Type



Side Entry Type



SINGATRON ENT. CO., LTD. Tel.: (909) 464-1883 Fax.: (909) 464-1884