

PAD LAYOUT
MOUNTING SIDE

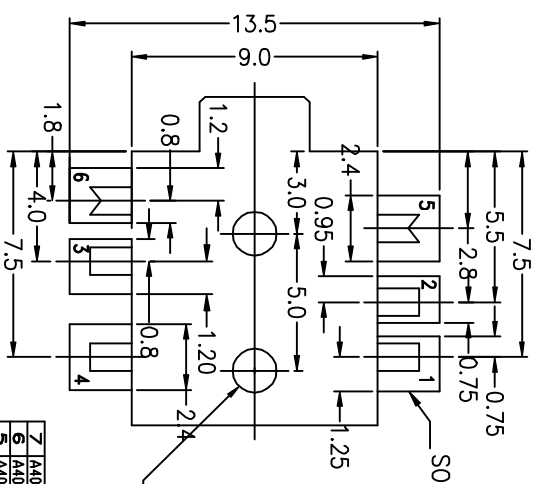
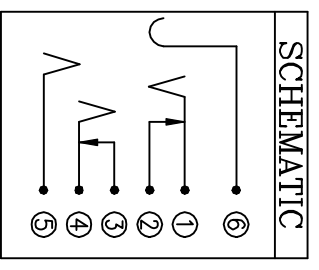
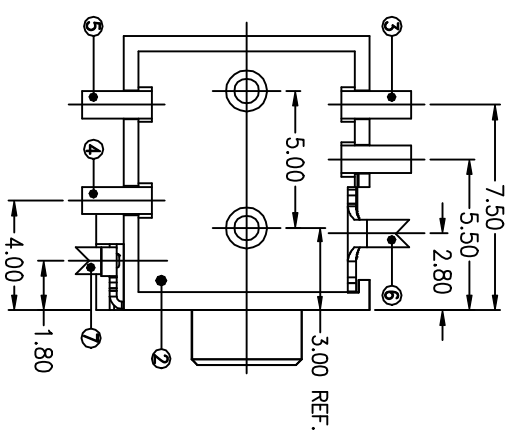
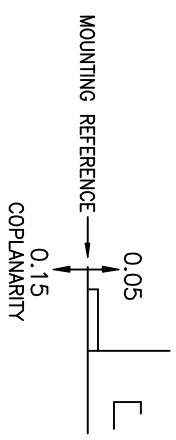
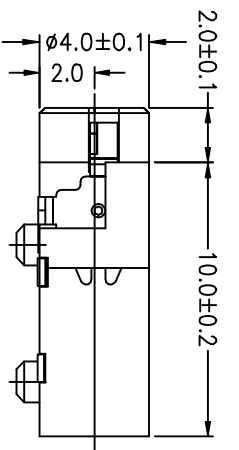
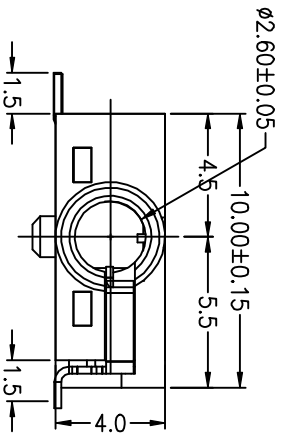
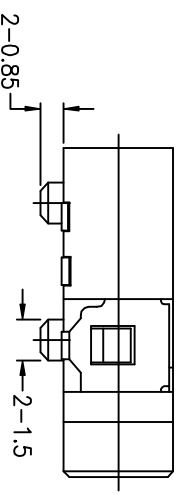
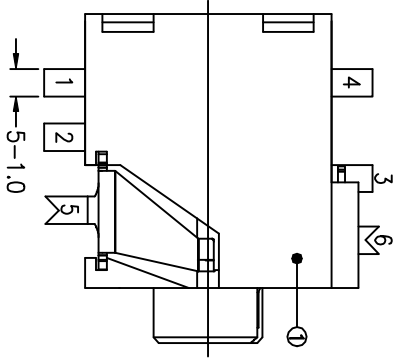
SOLDERING
PADS

NOTE: TOLERANCE OF LAYOUT ±0.2

REV.	DESCRIPTIONS	DATE

ITEM	PART NO.	NAME	MATERIAL	FINISH	QTY	NOTE
6	AA08-M6-SMT	GROUND CONTACT	PBS	Au	1	30T
5	AA08-M5-SMT	EXTRA RING	PBS	Au	1	30T
4	AA04-M4-SMT	TP CONTACT	Cu ALLOY	Au	1	20T
3	AA04-M4-SMT	RING CONTACT	Cu ALLOY	Au	1	20T
2	AA04-P2-LCP	HOUSING	LCP	30	1	UL94V-0
1	AA08-P1-LCP	HOUSING	LCP	30	1	UL94V-0

APPROVALS: DATE: 2020/09/15
 DESIGNED BY: SMT / STEREO
 CHECKED BY: 2020/09/15
 DRAWN BY: A
 PART NO: AJ408-4-SMT
 QTY: 1/1



PAD LAYOUT
MOUNTING SIDE

SOLDERING
PADS

NOTE: TOLERANCE OF LAYOUT ±0.2

REV.	DESCRIPTIONS	DATE

ITEM	PART NO.	NAME	MATERIAL	FINISH	QTY	NOTE
7	A408-M6-SMT	GROUND CONTACT	PBS	Au	1	30T
6	A408-M5-SMT	EXTRA RING	PBS	Au	1	30T
5	A404-M4-SMT	TIFF CONTACT	CU ALLOY	Au	1	30T
4	A404-M4-SMT	SHUNT	BRASS	Au	2	30T
3	A404-M4-SMT	RING CONTACT	CU ALLOY	Au	1	20T
2	A404-P2-LCP	HOUSING	LCP	30	1	UL94V-0
1	A408-P1-LCP	HOUSING	LCP	30	1	UL94V-0

APPROVALS: DATE: 2.50 EARRPHONE JACK, 4 POLES
 SMT / STEREO / 2-SWITCHES
 PART NO: AJ408-6-SMT
 REV: V1