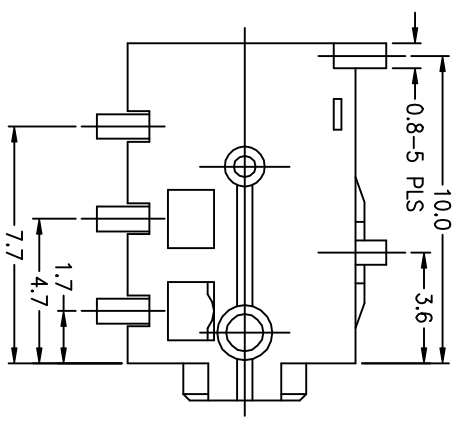
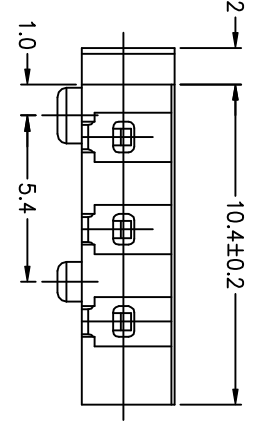
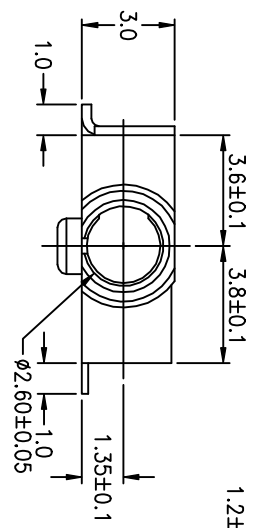
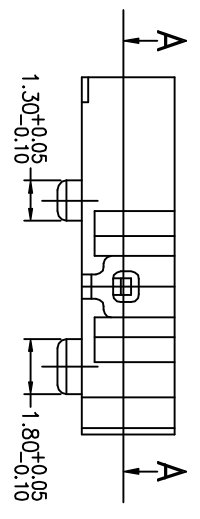
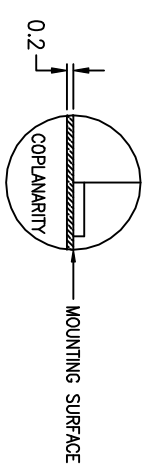
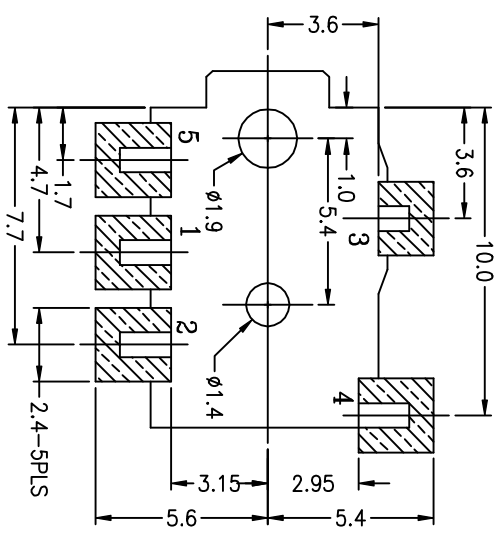


SECTION A-A



SCHEMATIC	
AJ407-5-SMT	AJ407-4T-SMT
AJ407-3-SMT	AJ407-3M-SMT



Recommended Pads Layout
Component Side

D	PLASTIC MATERIAL CHANGE / WAS PA6T	891214
C	SECTION VIEW ADD ON	880526
B	COPLANARITY ADD ON	870912
REV.	DESCRIPTIONS	DATE

5	A407-4A-SMT	TIP CONTACT	Cu Alloy	Au	1	30T
4	A407-4B-SMT	TIP SHUNT	BRASS	Au	1	30T
3	A407-4C-SMT	RING SHUNT	PBS	Au	1	20T
2	A407-4D-SMT	RING/GND CONTACT	Cu Alloy	Au	2	20T
1	A407-4E-SMT	HOUSING	PCP	30	1	UL94V-0

APPROVALS	DATE	DESIGNER	DATE
Richard	1998/07/22	Richard	1998/07/22
REVISION	DESCRIPTION	DATE	BY
1	INITIAL	1998/07/22	AJ

ITEM NO.	QUANTITY	UNIT	DESCRIPTION
1	1	PCB	AJ407-SMT
2	1	PCB	AJ407-5-SMT