

1 2 3 4

A

B

C

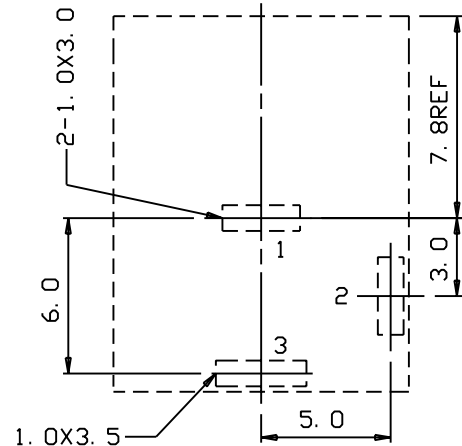
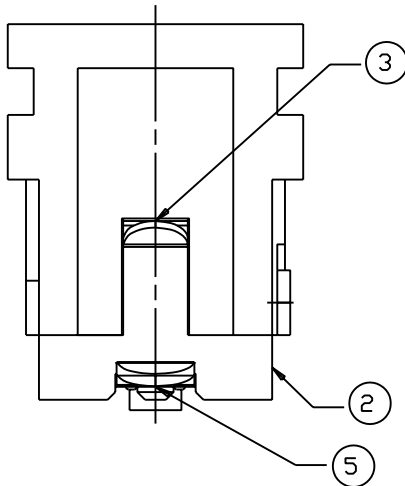
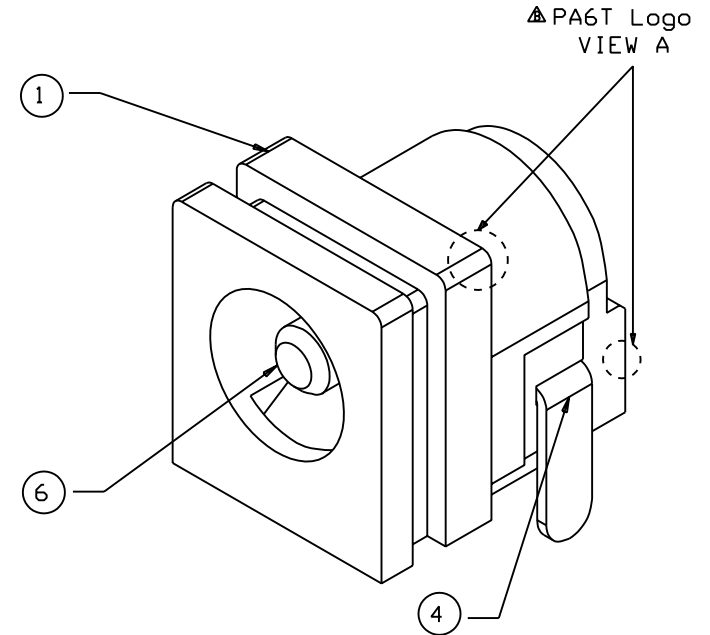
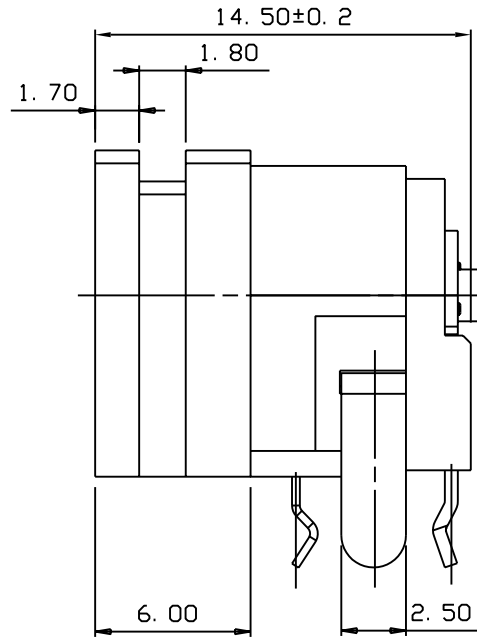
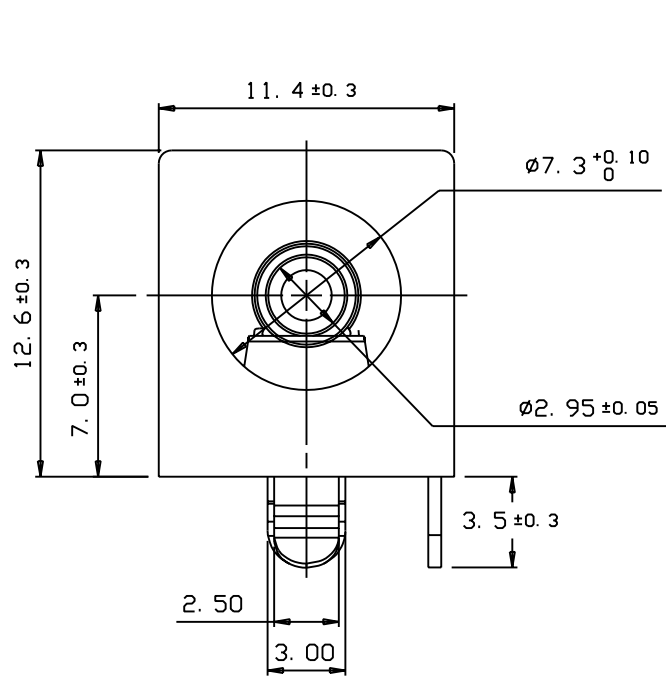
D

A

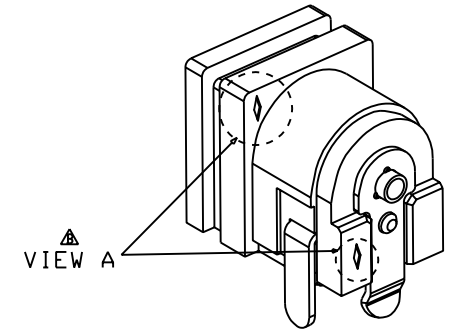
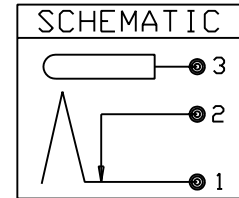
B

C

D



PCB LAYOUT
<BOTTOM VIEW>
NOTE: ±0.3 FOR PCB LAYOUT



⑥	CENTER PIN	BRASS	Ag	1	
⑤	PIN TERMINAL	BRASS	Ag	1	
④	SPRING SHUNT	BRASS	Ag	1	
③	SPRING CONTACT	PBS	Ag	1	
②	BOTTOM COVER	PA6T		1	UL94V0
①	HOUSING	PA6T		1	UL94V0
ITEM	DESCRIPTION	MATERIAL	FINISH	QTY	NOTE

UNLESS OTHERWISE SPECIFIED DIMENSIONS ARE IN CENTIMETERS TOLERANCES ARE:		SINGATRON U. S. A.		SERIES	
FRACTIONS DECIMALS ANGLES				AJ242A	
.X ± 0.3	.X* = ±	APPROVALS	DATE	TITLE	
.XX ± 0.2	.XX* = ±	DRAWN Peter	2001/01/12	ø2.95 DC POWER JACK (ID: ø7.3)	
		CHECKED Jerry	2004/08/11	SIZE	VERION
		APPROVED		A3	B
				DWG NO.	
				AJ242A-6T-	
		SCALE	5:1	SHEET	

△	93A-C50	2004/08/11
△	93A-B96	2004/08/10
△	92A-A50	2003/09/01
REV	DESCRIPTIONs	DATE

1

2

3

4