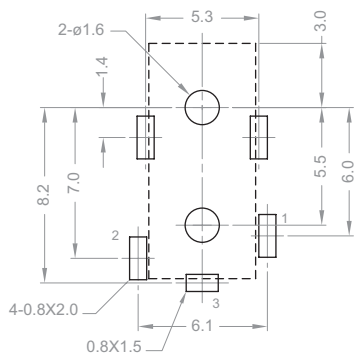
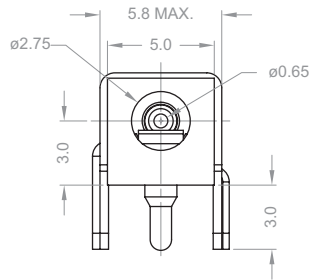
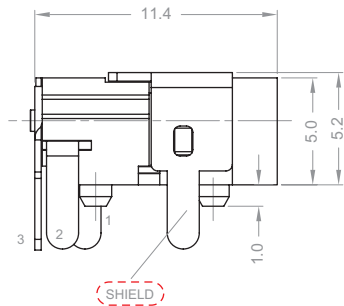


AJ238A-(S)



PCB LAYOUT
<BOTTOM VIEW>