

1

2

3

4

A

A

B

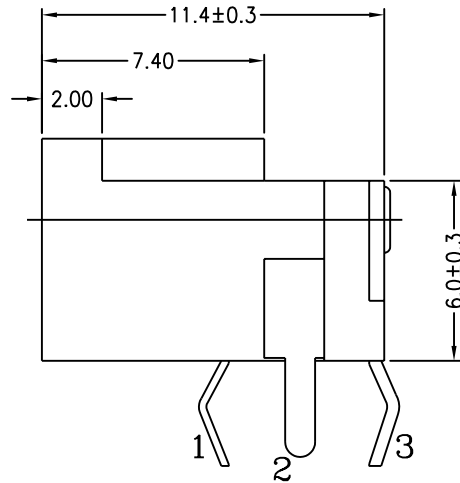
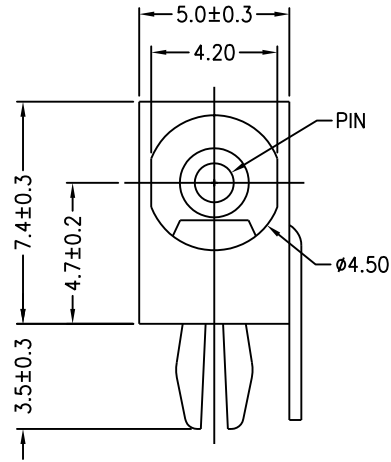
B

C

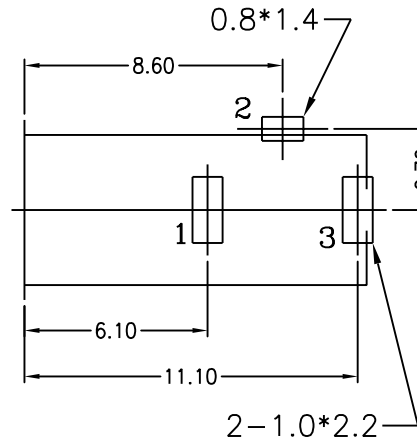
C

D

D



	③
	②
	①
PIN #	PART NO.
1.0mm	AJ218AC
1.3mm	AJ218BC



PCB LAYOUT
<BOTTOM VIEW>

REV.	DESCRIPTIONs	DATE

UNLESS OTHERWISE SPECIFIED DIMENSIONS ARE IN CENTIMETERS TOLERANCES ARE: FRACTIONS DECIMALS ANGLES		SINGATRON (U.S.A.)		SERIES AJ218	
.X = ± 0.3	.X* = ±	APPROVALS	DATE	TITLE Miniature DC Power Jack Ø1.0&Ø1.3	
.XX = ± 0.2	.XX* = ±	DRAWN Donald	91/09/30	SIZE A3	VERSION A
		CHECKED Alan	91/09/30	DWG NO. AJ218XC	
		APPROVED Richard	91/09/30	SCALE 1:1	SHEET

1

2

3

4